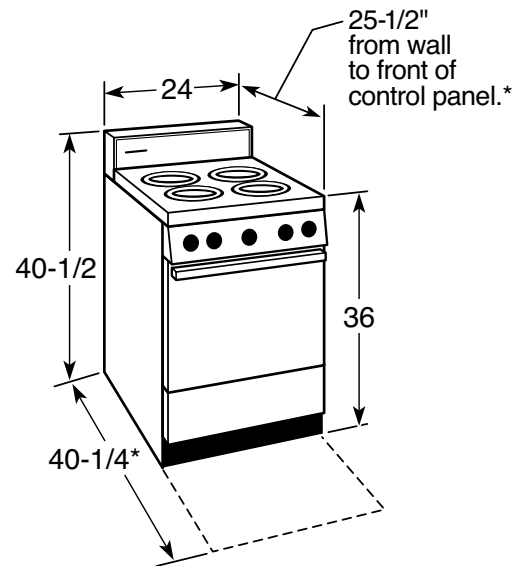
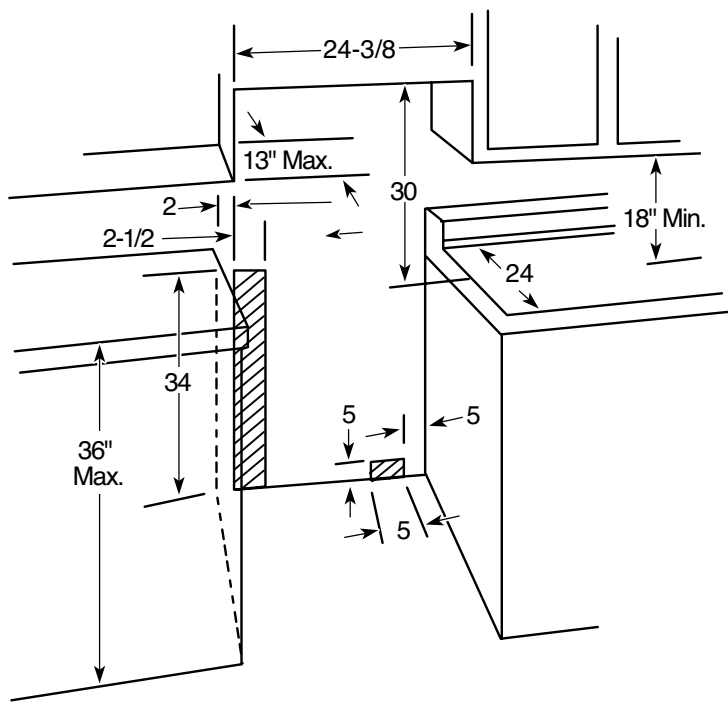


HOTPOINT®

RA824DD – Hotpoint 24" Free-Standing Electric Range

Dimensions (in inches)

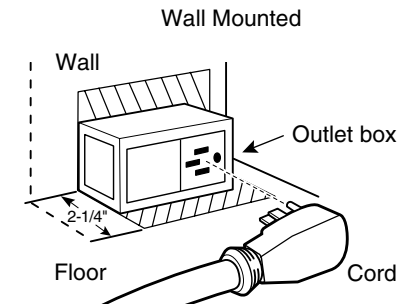


* Depth including handle 25-9/16".
Depth to front of control knobs 26-1/8".

KW Rating	
240V	9.2
208V	6.9

Receptacle locations

Locally approved flexible service cord or conduit must be used because terminals are not accessible after range installation. See shaded area in drawings for location of electrical outlet box. Recommended outlet locations allow range to be installed directly against rear wall.



Recommended acceptable electrical outlet area. Orient the electrical receptacle so the length is parallel to the floor.

Models	A	B	C (recommended)	D
20" Wide	20"	20-3/8"	2"	41"
24" Wide	24"	24-3/8"	2"	41"

Specification Revised 6/12
420514



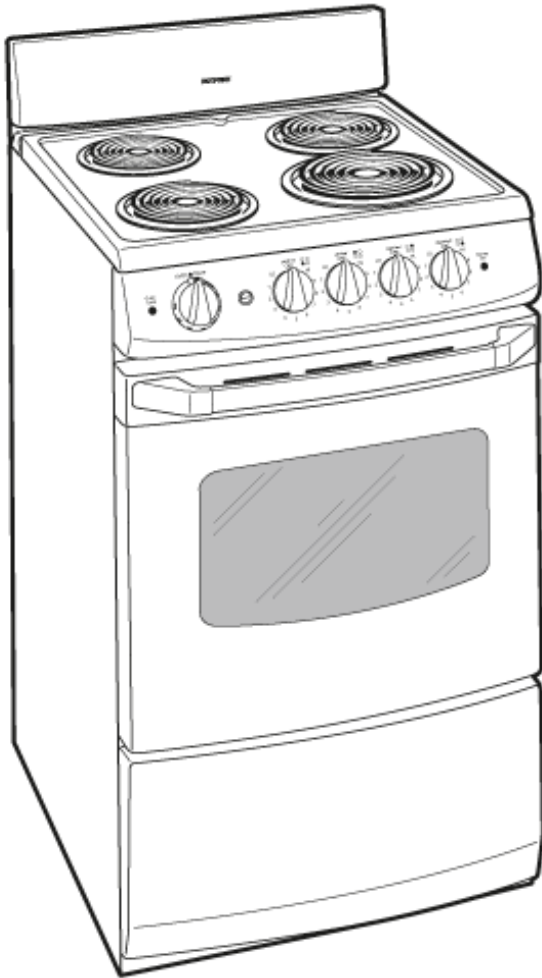
Listed by
Underwriters
Laboratories



All GE ranges are equipped with an Anti-Tip device. The installation of this device is an important, required step in the installation of the range.

HOTPOINT®

RA824DD – Hotpoint 24" Free-Standing Electric Range



Features and Benefits

- Standard clean oven - Smooth surface makes cleaning by hand easier
- One 8" and three 6" plug-in heating elements with chrome drip bowls
- Interior oven light - Illuminates the oven interior
- Lift-up cooktop with porcelain-enameled subtop
- Standard window - Provides a convenient viewing area to check the progress of food
- Model RA824DDWW – White