

20" and 24" Compact Electric Ranges

HOTPOINT

**Owner's Manual and
Installation Instructions**

RA720
RA724

Safety Instructions 2-6

Operating Instructions

Oven 8-11
Surface Units 7

Care and Cleaning

Aluminum Foil 8
Cooktop 12, 13
Knobs 14
Oven Door 13
Oven Heating Elements 13
Oven Interior 14
Painted Surfaces 14
Shelves 12
Surface Units and Drip Pans 12

Installation Instructions

Anti-Tip Device 15, 21
Dimensions and Clearances 16
Electrical Connections 17-20
Flooring 16
Leveling 22
Preparation 16
Tools You Will Need 16

Troubleshooting Tips 23

Accessories 24

Consumer Support

Consumer Support Back Cover
Warranty 27

Write the model and serial numbers here:

Model # _____

Serial # _____

You can find them on a label under the cooktop. See the Lift-Up Cooktop section in this manual for instructions on how to lift the cooktop.

For a Spanish version of this manual, visit our Website at GEAppliances.com.


Para consultar una version en español de este manual de instrucciones, visite nuestro sitio de internet GEAppliances.com.

IMPORTANT SAFETY INFORMATION. READ ALL INSTRUCTIONS BEFORE USING.

⚠ WARNING

Read all safety instructions before using the product. Failure to follow these instructions may result in fire, electric shock, serious injury or death.

ANTI-TIP DEVICE



⚠ WARNING

Tip-Over Hazard

A child or adult can tip the range and be killed. Verify the anti-tip bracket has been properly installed and engaged. Ensure the anti-tip bracket is re-engaged when the range is moved. Do not operate the range without the anti-tip bracket in place and engaged. Failure to follow these instructions can result in death or serious burns to children or adults.

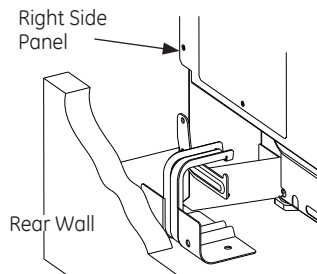
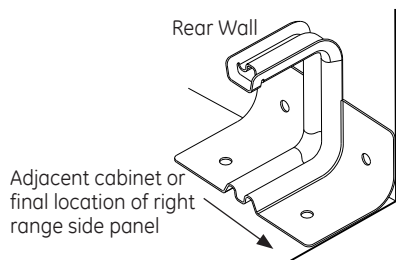
To reduce the risk of tipping the range, the range must be secured by a properly installed anti-tip bracket. See installation instructions shipped with the bracket for complete details before attempting to install.

For Freestanding Ranges

To check if the bracket is installed and engaged properly, look underneath the range to see that the anti-tip arm attached to the

side panel is engaged in the bracket. On some models, the storage drawer or kick panel can be removed for easier inspection. If visual inspection is not possible, slide the range forward, confirm the anti-tip bracket is securely attached to the floor or wall, and slide the range back so the anti-tip arm slides just under the anti-tip bracket. If the range is pulled from the wall for any reason, always repeat this procedure to verify the range is properly secured by the anti-tip bracket.

If you did not receive an anti-tip bracket with your purchase, call 1.800.626.8774 to receive one at no cost (in Canada, call 1.800.561.3344). For installation instructions of the bracket, visit GEAppliances.com (in Canada, GEAppliances.ca).



⚠ WARNING

IMPORTANT SAFETY NOTICE

The California Safe Drinking Water and Toxic Enforcement Act requires the Governor of California to publish a list of substances known to the state to cause cancer, birth defects or other reproductive harm, and requires businesses to warn customers of potential exposure to such substances.

The fiberglass insulation in self-clean ovens gives off a very small amount of carbon monoxide during the cleaning cycle. Exposure can be minimized by venting with an open window or using a ventilation fan or hood.

⚠ WARNING GENERAL SAFETY INSTRUCTIONS

- Use this appliance for its intended purpose as described in this Owner's Manual.
- Be sure your appliance is properly installed and grounded by a qualified installer in accordance with the provided installation instructions.
- Do not attempt to repair or replace any part of your range unless it is specifically recommended in this manual. All other servicing should be referred to a qualified technician.
- Before performing any service, unplug the range or disconnect the power supply at the household distribution panel by removing the fuse or switching off the circuit breaker.
- Do not leave children alone—children should not be left alone or unattended in an area where an appliance is in use. They should never be allowed to climb, sit or stand on any part of the appliance.
- **CAUTION:** Do not store items of interest to children above a range or on the backguard of a range—children climbing on the range to reach items could be seriously injured.
- Use only dry pot holders—moist or damp pot holders on hot surfaces may result in burns from steam. Do not let pot holders touch hot surface units or heating elements. Do not use a towel or other bulky cloth in place of pot holders.
- Never use your appliance for warming or heating the room.
- Do not touch the surface units, the heating elements or the interior surface of the oven. These surfaces may be hot enough to burn even though they are dark in color. During and after use, do not touch, or let clothing or other flammable materials contact the surface units, areas nearby the surface units or any interior area of the oven; allow sufficient time for cooling first. Other surfaces of the appliance may become hot enough to cause burns. Potentially hot surfaces include the cooktop, areas facing the cooktop, oven vent opening, surfaces near the opening and crevices around the oven door.
- Do not heat unopened food containers. Pressure could build up and the container could burst, causing an injury.
- Do not use aluminum foil to line drip pans or anywhere in the oven, except as described in this manual. Foil can trap heat or melt, resulting in damage to the product and a shock or fire hazard.
- Avoid scratching or impacting glass doors, cook tops or control panels. Doing so may lead to glass breakage. Do not cook on a product with broken glass. Shock, fire or cuts may occur.
- Cook meat and poultry thoroughly—meat to at least an internal temperature of 160°F and poultry to at least an internal temperature of 180°F. Cooking to these temperatures usually protects against foodborne illness.

⚠ WARNING KEEP FLAMMABLE MATERIALS AWAY FROM THE RANGE.

- Do not store or use flammable materials in an oven or near the cooktop, including paper, plastic, pot holders, linens, wall coverings, curtains, drapes and gasoline or other flammable vapors and liquids.
- Never wear loose-fitting or hanging garments while using the appliance. These garments may ignite if they contact hot surfaces causing severe burns.
- Do not let cooking grease or other flammable materials accumulate in or near the range. Grease in the oven or on the cooktop may ignite.
- Clean ventilating hoods frequently. Grease should not be allowed to accumulate on the hood or filter.

IMPORTANT SAFETY INFORMATION. **READ ALL INSTRUCTIONS BEFORE USING.**

⚠ WARNING *IN THE EVENT OF A FIRE, TAKE THE FOLLOWING STEPS TO PREVENT THE FIRE FROM SPREADING:*

- Do not use water on grease fires. Never pick up a flaming pan. Turn the controls off. Smother a flaming pan on a surface unit by covering the pan completely with a well-fitting lid, cookie sheet or flat tray. Use a multi-purpose dry chemical or foam-type fire extinguisher.
- If there is a fire in the oven during baking, smother the fire by closing the oven door and turning the oven off or by using a multi-purpose dry chemical or foam-type fire extinguisher.
- If there is a fire in the oven during self-clean, turn the oven off and wait for the fire to go out. Do not force the door open. Introduction of fresh air at self-clean temperatures may lead to a burst of flame from the oven. Failure to follow this instruction may result in severe burns.

⚠ WARNING *COOKTOP SAFETY INSTRUCTIONS*

- Never leave the surface units unattended at medium or high heat settings. Boilovers cause smoking and greasy spillovers that may catch on fire.
- Never leave oil unattended while frying. If allowed to heat beyond its smoking point, oil may ignite resulting in fire that may spread to surrounding cabinets. Use a deep fat thermometer whenever possible to monitor oil temperature.
- To avoid oil spillover and fire, use a minimum amount of oil when shallow pan-frying and avoid cooking frozen foods with excessive amounts of ice.
- Use proper pan size—select cookware having flat bottoms large enough to cover the surface heating element. The use of undersized cookware will expose a portion of the surface unit to direct contact and may result in ignition of clothing. Proper relationship of cookware to surface unit will also improve efficiency.
- Only certain types of glass, glass/ceramic, earthenware or other glazed containers are suitable for cooktop service; others may break because of the sudden change in temperature.
- To minimize the possibility of burns, ignition of flammable materials and spillage, the handle of a container should be turned toward the center of the range without extending over nearby surface units.
- When preparing flaming foods under a hood, turn the fan on.
- If power is lost to an electric cooktop while a surface unit is ON, the surface unit will turn back on as soon as power is restored. In the event of power loss, failure to turn all surface unit knobs to the OFF position may result in ignition of items on or near the cooktop, leading to serious injury or death.

▲ WARNING**RADIANT COOKTOP SAFETY INSTRUCTIONS***(Some models)*

- Use care when touching the cooktop. The glass surface of the cooktop will retain heat after the controls have been turned off.
- Do not cook on a broken cooktop. If glass cooktop should break, cleaning solutions and spillovers may penetrate the broken cooktop and create a risk of electric shock. Contact a qualified technician immediately.
- Avoid scratching the glass cooktop. The cooktop can be scratched with items such as knives, sharp instruments, rings or other jewelry, and rivets on clothing.
- Do not place or store items that can melt or catch fire on the glass cooktop, even when it is not being used. If the cooktop is inadvertently turned on, they may ignite. Heat from the cooktop or oven vent after it is turned off may cause them to ignite also.
- Use CERAMA BRYTE® ceramic Cooktop Cleaner and CERAMA BRYTE® Cleaning Pad to clean the cooktop. Wait until the cooktop cools and the indicator light goes out before cleaning. A wet sponge or cloth on a hot surface can cause steam burns. Some cleaners can produce noxious fumes if applied to a hot surface. Note: Sugar spills are an exception. They should be scraped off while still hot using an oven mitt and a scraper. See the Cleaning the glass cooktop section for detailed instructions.
- Read and follow all instructions and warnings on the cleaning cream label.

▲ WARNING**COIL COOKTOP SAFETY INSTRUCTIONS***(Some models)*

- Do not immerse or soak the removable surface units. Do not put them in a dishwasher. Do not self-clean the surface units in an oven. Doing so may cause them to fail presenting a burn or fire hazard.
- To avoid the possibility of a burn or electric shock, always be certain that the controls for all surface units are at the OFF position and all coils are cool before attempting to lift or remove a coil surface unit.
- Be sure the drip pans are not covered and are in place. Their absence during cooking could damage range parts and wiring.
- Do not use aluminum foil to line drip pans. Foil can trap heat or melt, resulting in damage to the product and a shock or fire hazard.

▲ WARNING**OVEN SAFETY INSTRUCTIONS**

- Stand away from the range when opening the oven door. Hot air or steam which escapes can cause burns to hands, face and/or eyes.
- Keep the oven vent unobstructed.
- Keep the oven free from grease buildup. Grease in the oven may ignite.
- Place oven racks in desired location while oven is cool. If rack must be moved while oven is hot, do not let pot holder contact hot heating element in oven.
- When using cooking or roasting bags in the oven, follow the manufacturer's directions.
- Pull the oven rack to the stop-lock position when loading and unloading food from the oven. This helps prevent burns from touching hot surfaces of the door and oven walls.
- Do not leave items such as paper, cooking utensils or food in the oven when not in use. Items stored in an oven can ignite.
- Do not use aluminum foil to line the oven bottom. Foil can trap heat or melt, resulting in damage to the product and a shock or fire hazard.

IMPORTANT SAFETY INFORMATION. READ ALL INSTRUCTIONS BEFORE USING.

▲ WARNING

SELF-CLEANING OVEN SAFETY INSTRUCTIONS

(Some models)

The self-cleaning feature operates the oven at temperatures high enough to burn away food soils in the oven. Follow these instructions for safe operation.

- Before operating the self-clean cycle, remove pans, shiny metal oven racks and other utensils from the oven. Only gray or black porcelain-coated oven racks and drip pans may be left in the oven. Do not use self-clean to clean other parts, such as shiny drip pans or bowls.
- Before operating the self-clean cycle, wipe grease and food soils from the oven. Excessive amount of grease may ignite leading to smoke damage to your home.
- If the self-cleaning mode malfunctions, turn the oven off and disconnect the power supply. Have it serviced by a qualified technician.
- Do not clean the door gasket. The door gasket is essential for a good seal. Care should be taken not to rub, damage or move the gasket.
- Do not use oven cleaners. No commercial oven cleaner or oven liner protective coating of any kind should be used in or around any part of the oven.

▲ WARNING

WARMING DRAWER/LOWER OVEN DRAWER SAFETY INSTRUCTIONS *(Some models)*

- The purpose of the warming drawer is to hold hot cooked foods at serving temperature. Bacteria will grow in food while it is below 140°F. Do not put cold food in warming drawer. Do not heat food for more than 2 hours. Failure to follow these instructions may result in foodborne illness.
- Do not leave paper products, plastics, canned food or combustible materials in the drawer. They may ignite.
- Do not touch the heating element or the interior surface of the drawer. These surfaces may be hot enough to cause burns.
- Use care when opening the drawer. Open the drawer a crack and let hot air or steam escape before removing or replacing food. Hot air or steam that escapes can cause burns to hands, face and/or eyes.
- Do not use aluminum foil to line the lower drawer. The foil will trap heat below, and upset the performance of the oven. Foil can melt and permanently damage the drawer bottoms.

**READ AND FOLLOW THIS SAFETY INFORMATION CAREFULLY.
SAVE THESE INSTRUCTIONS**

Throughout this manual, features and appearance may vary from your model.

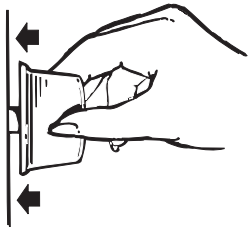
Surface Cooking Controls

Your surface units and controls are designed to give you a variety of heat settings for surface unit cooking.

At both **LO** and **HI** positions, there is a slight niche so control **clicks** at those positions; **HI** marks the highest setting; **LO**, the lowest setting.

In a quiet kitchen, you may hear slight **clicking** sounds during cooking, indicating heat settings selected are being maintained.

Switching heats to higher settings always shows a quicker change in temperature than switching to lower settings.



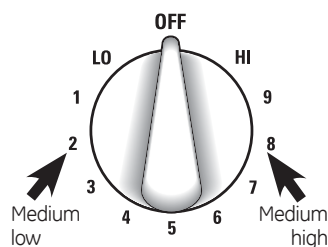
How to Set the Controls

- 1 Push the control knob in.
- 2 Turn either clockwise or counterclockwise to desired heat setting.

Control must be pushed in to set only from the **OFF** position.

When control is in any position other than **OFF**, you can turn it without pushing in.

Be sure you turn control to **OFF** when you finish cooking. An indicator light will glow when **ANY** surface unit is on.



Heat Setting Guide

HI – Quick start for cooking; bring water to boil.

MEDIUM HIGH – Fast fry, pan broil; maintain fast boil on large amount of food.

MED – Sauté and brown; maintain slow boil on large amount of food.

MEDIUM LOW – Cereal; maintain serving temperature of most foods.

LO – Cook after starting at HI; cook with little water in covered pan. Use to steam rice.

NOTE:

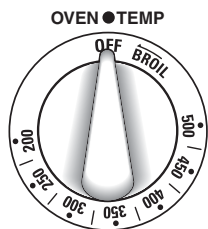
- 1 At **HI** or **MEDIUM HIGH**, never leave food unattended. Boilovers cause smoking; greasy spillovers may catch fire.
- 2 At **LO**, melt chocolate, butter on small unit.

Cooking Tips

- Use medium- or heavyweight cookware. Aluminum cookware conducts heat faster than other metals. Cast-iron and coated cast-iron cookware is slow to absorb heat, but generally cooks evenly at low or medium heat settings. Steel pans may cook unevenly if not combined with other metals.
- Do not overfill cookware with fat that may spill over when adding food. Frosty foods bubble vigorously. Watch foods frying at high temperatures. Keep range and hood clean from accumulated grease.
- To conserve the most cooking energy, pans should be flat on the bottom, have straight sides and tight-fitting lids. Match the size of the saucepan to the size of the surface unit. A pan that extends more than an inch beyond the edge of the drip pan traps heat, which causes "crazing" (fine hairline cracks) on porcelain, and discoloration ranging from blue to dark gray on chrome drip pans.

Using the oven.

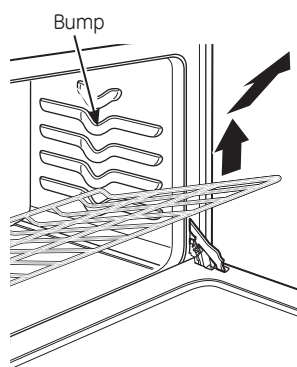
The OVEN TEMP knob is located on the control panel on the front of the range.



Oven Temperature Control

To use the oven, simply turn the knob to the desired cooking temperatures, which are marked in 25°F increments on the dial. **OVEN TEMP** maintains the temperature you set, from 200°F to **BROIL**.

The Oven Cycling Light glows until the oven reaches your selected temperature, then goes off and on with the oven unit(s) during cooking.



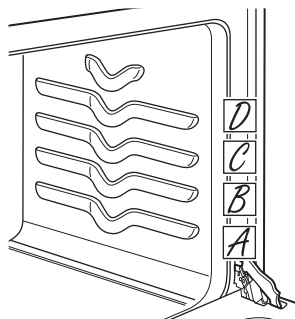
Oven Shelves

The shelves are designed with stop-locks so when placed correctly on the shelf supports, they will stop before coming completely out of the oven and will not tilt when you are removing food from them or placing food on them.

When placing cookware on a shelf, pull the shelf out to the bump on the shelf support. Place the cookware on the shelf, then slide the shelf back into the oven. This will eliminate reaching into the hot oven.

To remove the shelves from the oven, pull them toward you, tilt front end upward and pull them out.

To replace, place shelf on shelf support with stop-locks (curved extension of shelf) facing up and toward back of oven. Tilt up front and push shelf toward back of oven until it goes past the bump on the shelf support. Then lower front of shelf and push it all the way back.



Oven Shelf Positions

The oven has four shelf supports—**A** (bottom), **B**, **C** and **D** (top).

Shelf positions for cooking are suggested on Baking and Roasting pages.

The oven has 4 shelf positions.

Use of Aluminum Foil

Do not use aluminum foil to line oven bottoms. The foil will trap heat below and upset the performance of the oven. Foil can melt and permanently damage the oven bottom. Damage from improper use of aluminum foil is not covered by the product warranty.

Foil may be used to catch spills by placing a sheet on a lower rack, several inches below the food. Do not use more foil than necessary and never entirely cover an oven rack with aluminum foil. Keep foil at least 1-1/2" from oven walls to prevent poor heat circulation.

To avoid possible burns, place the shelves in the desired position before you turn the oven on.

How to Set Your Oven for Baking or Roasting

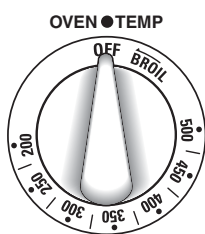
- 1 Position the shelf or shelves in the oven. If cooking on two shelves at the same time, stagger the pans for best heat circulation.
- 2 Close oven door. Turn **OVEN TEMP** knob clockwise to desired temperature. Preheat oven for at least 10 minutes if preheating is necessary.
- 3 Place food in oven on center of shelf. Allow at least 2 inches between edge of bakeware and oven wall or adjacent cookware.
- 4 Check food for doneness at minimum time on recipe. Cook longer if necessary. Turn **OVEN TEMP** knob to **OFF** and remove food.

Shelf Positions

- Most baking is done on the second shelf position (**B**) or the third shelf position (**C**) from the bottom.
- When baking three or four items, use two shelves positioned on the second and fourth sets of supports (**B & D**) from bottom of oven.
- Bake angel food cakes on first shelf position (**A**) from bottom of oven.
- Roasting is usually done on the bottom shelf position (**A**).

Preheating

- Preheating the oven takes about 10 minutes.
- Preheat the oven only when necessary, usually for baking.
- Most roasts will cook satisfactorily without preheating.
- If you find preheating is necessary, keep an eye on the Oven Cycle light and put food in the oven promptly after the light goes out. The Oven Cycle light will then cycle on and off with the oven thermostat as it cycles to maintain oven temperature.



Baking and Roasting Tips

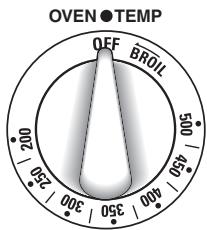
- Follow a tested recipe and measure the ingredients carefully. If you are using a package mix, follow label directions.
- Do not open the oven door during a baking operation—heat will be lost and the baking time might need to be extended. This could cause poor baking results. If you must open the door, open it partially—only 3 or 4 inches—and close it as quickly as possible.
- Roasting is cooking by dry heat. Tender meat or poultry can be roasted uncovered in your oven. Roasting temperatures, which should be low and steady, keep spattering to a minimum. When roasting, it is not necessary to sear, baste, cover or add water to your meat.
- Frozen roasts of beef, pork, lamb, etc., can be started without thawing, but allow 10 to 25 minutes per pound additional time (10 minutes per pound for roasts under 5 pounds, more time for larger roasts).
- Thaw most frozen poultry before roasting to ensure even doneness. Some commercial frozen poultry can be cooked successfully without thawing. Follow directions given on package label.

Adjust the oven thermostat—Easy to do yourself!

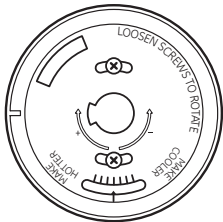
You may find that your new oven cooks differently than the one it replaced. Use your new oven for a few weeks to become more familiar with it. If you still think your new oven is too hot or too cold, you can adjust the thermostat yourself.

Do not use thermometers, such as those found in grocery stores, to check the temperature setting of your oven. These thermometers may vary 20–40°F.

NOTE: This adjustment will not affect the broiling temperatures. The adjustment will be retained after a power failure.



Front of OVEN TEMP knob
(knob appearance may vary)



Back of OVEN TEMP knob

To Adjust the Thermostat with this Type of Knob

- 1 Pull the OVEN TEMP knob off the range and look at the back side.**
To make an adjustment, loosen (approximately one turn), but do not completely remove, the two screws on the back of the knob.
- 2** With the back of the knob facing you, hold the outer edge of the knob with one hand and turn the front of the knob with the other hand.

To increase the oven temperature, move the top screw toward the right. You'll hear a click for each notch you move the knob.

To decrease the oven temperature, move the top screw toward the left.

Each click will change the oven temperature approximately 10°F. (Range is plus or minus 60°F from the arrow.) We suggest that you make the adjustment one click from the original setting and check oven performance before making any additional adjustments.

- 3 After the adjustment is made,** retighten screws so they are snug, but be careful not to overtighten.
- 4** Replace the knob, matching the flat area of the knob to the shaft, and check performance.

The type of margarine will affect baking performance!

Most recipes for baking have been developed using high-fat products such as butter or margarine (80% fat). If you decrease the fat, the recipe may not give the same results as with a higher fat product.

Recipe failure can result if cakes, pies, pastries, cookies or candies are made with low-fat spreads. The lower the fat content of a spread product, the more noticeable these differences become.

Federal standards require products labeled "margarine" to contain at least 80% fat by weight. Low-fat spreads, on the other hand, contain less fat and more water. The high moisture content of these spreads affects the texture and flavor of baked goods. For best results with your old favorite recipes, use margarine, butter or stick spreads containing at least 70% vegetable oil.

Broiling may be slightly different from any previous broiling you may be acquainted with, so be sure to read this section completely.

How to Set Your Oven for Broiling

Broiling is cooking food by intense radiant heat from the upper element in the oven. Most fish and tender cuts of meat can be broiled. Follow these steps to keep spattering and smoking to a minimum.

- 1 If the meat has fat or gristle around the edge, cut vertical slashes through both about 2" apart. If desired, fat may be trimmed, leaving a layer about 1/8" thick.
- 2 Place the meat on a broiler grid in a broiler pan designed for broiling. Always use the grid so the fat drips into the broiler pan; otherwise the juices may become hot enough to catch fire.
- 3 Place the shelf in position **C** for most broiling.
- 4 Close the door. **Always broil with the door closed.**
- 5 Turn the **OVEN TEMP** knob clockwise to **BROIL**. You will feel a slight niche at the broil position.
- 6 Turn food only once during cooking.
- 7 Turn the **OVEN TEMP** knob to **OFF**. Serve food immediately, and leave the pan outside the oven to cool during the meal for easiest cleaning.

Broiling Guide


- If desired, marinate meats or chicken before broiling, or brush with barbecue sauce the last 5 to 10 minutes only.
- Frozen steaks can be broiled by positioning the oven shelf at the next lowest shelf position and increasing cooking time given in this guide 1½ times per side.
- When arranging food on pan, do not let fatty edges hang over sides because the dripping fat will soil the oven.
- If your range is connected to 208 volts, rare steaks may be broiled by preheating the broiler and positioning the oven shelf one position higher.

Food	Amount or Thickness	Shelf Position	Time In Minutes		Comments
			First Side	Second Side	
Bacon	1/2 lb. (about 8 thin slices)	C	3½ min.	3½ min.	Arrange in single layer.
Ground Beef	1 lb. (4 patties) 1/2 to 3/4" thick	C	10 min.	7 min.	Space evenly.
Beef Steaks Medium	1" thick 1 to 1½ lbs.	C	9 min.	9 min.	Steaks less than 1" thick cook through before browning. Pan frying is recommended. Slash fat.
Chicken	1 whole 2 to 2½ lbs., split lengthwise	A	35 min.	15 min.	Reduce time about 5 to 10 minutes per side for cut-up chicken. Brush each side with melted butter. Broil skin-side-down first.
Fish	1 lb. fillets 1/4 to 1/2" thick	C	5 min.	5 min.	Handle and turn very carefully. Brush with lemon butter before and during cooking, if desired. Preheat broiler to increase browning.

Care and cleaning of the range.

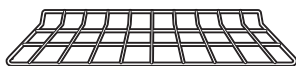
Be sure electrical power is off and all surfaces are cool before cleaning any part of the range.

Proper care and cleaning are important so your range will give you efficient and satisfactory service. Follow these directions carefully in caring for your range to assure safe and proper maintenance.

	⚠ WARNING
	Tip-Over Hazard A child or adult can tip the range and be killed. Verify the anti-tip bracket has been properly installed and engaged. Ensure the anti-tip bracket is re-engaged when the range is moved. Do not operate the range without the anti-tip bracket in place and engaged. Failure to follow these instructions can result in death or serious burns to children or adults.

Porcelain Enamel Cooktop

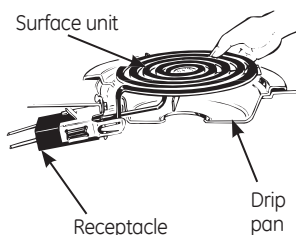
The porcelain enamel finish is sturdy but breakable if misused. This finish is acid-resistant. However, any acidic foods spilled (such as fruit juices, tomato or vinegar) should not be permitted to remain on the finish.



Oven Shelves

Clean the shelves with an abrasive cleanser or steel wool.

After cleaning, rinse the shelves with clean water and dry with a clean cloth.



To remove the surface unit, lift it about 1 inch above the drip pan and pull it out.



Replace the drip pan into the recess in the cooktop.

Surface Units and Drip Pans

To clean the surface units, turn the control to the highest setting for a minute. The coils will burn off any soil.

To remove a surface unit:

To remove the drip pans for cleaning, the surface units must be removed first. Make sure the surface units are cool before touching them.

Lift the surface unit about 1" above the drip pan and pull it out.

Do not lift the surface unit more than 1". If you do, it may not lie flat on the drip pan when you plug it back in.

NOTE: Repeated lifting of the surface unit more than 1 inch above the drip pan can permanently damage the receptacle.

To replace a surface unit:

Replace the drip pan into the recess in the cooktop. Make sure the opening in the pan lines up with the receptacle.

Insert the terminals of the surface unit through the opening in the drip pan and into the receptacle.

Guide the surface unit into place so it rests evenly.

To clean the drip pans:

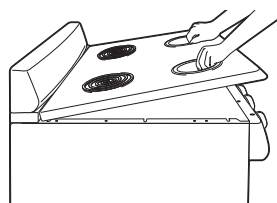
Drip pans can be cleaned in the dishwasher or by hand. If you use a scouring pad, rub lightly to prevent scratching.

Q Can I cover the drip pans with foil?

A No, because using foil so close to the receptacle could cause shock, fire or damage to the range.

CAUTION:

- Do not immerse the surface units in liquids of any kind.
- Do not clean the surface units in a dishwasher.
- Do not bend the surface unit plug terminals.
- Do not attempt to clean, adjust or in any way repair the plug-in receptacle.



Lift-Up Cooktop

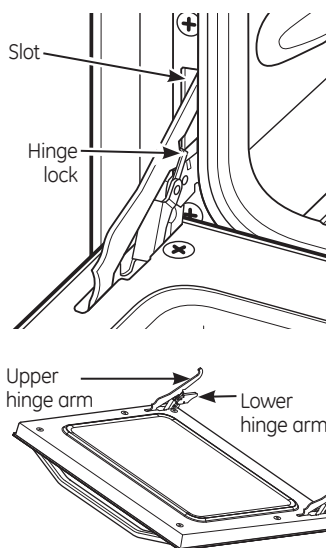
Clean the area under the cooktop often. Built-up soil, especially grease, may catch on fire.

To make cleaning easier, the cooktop may be lifted up and propped open.

Be sure all surface units are turned off before raising the cooktop.

Remove the front surface and drip pans. See the Surface Units and Drip Pans section. Grasp the two front surface unit wells and lift the cooktop up and prop it open with the prop rod provided.

After cleaning underneath the cooktop with hot, soapy water and a clean cloth, hold the cooktop up, return the prop rod to its storage position and lower the cooktop until it snaps into position. Be careful not to pinch your fingers. Replace the two front drip pans and surface units. See the Surface Units and Drip Pans section.



Lift-Off Oven Door

The oven door is removable, but it is heavy. You may need help removing and replacing the door.

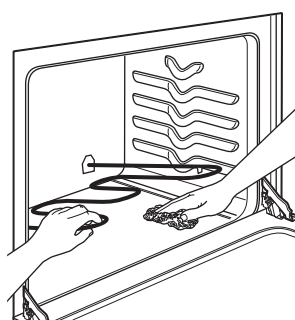
To remove the door:

- 1 Open the door to the full open position.
- 2 Pull the hinge locks up over the hinge hooks on both sides.
- 3 Grasp the door firmly on each side, lift slightly and pull it straight out and away from the oven.

To replace the door:

- 1 Firmly grasp both sides of the door at the top.
- 2 Insert and seat the upper and lower hinge arms into the oven slots.
- 3 Push the hinge locks down from the hinge hooks.
- 4 Close the oven door and make sure it is working properly. If it is not working properly, remove and replace it following the above steps.

DO NOT ATTEMPT TO CLOSE THE DOOR UNTIL THIS STEP IS COMPLETE. THE HINGE OR DOOR COULD BE DAMAGED.



Oven Heating Elements

Do not clean the bake element or the broil element. Any soil will burn off when the elements are heated.

The bake element can be lifted gently to clean the oven floor. Do not attempt to clean any oven surface when any burner element is on. Always wear protective hand-wear when cleaning interior oven surfaces or surfaces near

heating elements. If spillovers, residue or ash accumulate around the bake element, gently wipe around the element with warm water.

Care and cleaning of the range.

Control Knobs

The control knobs may be removed for easier cleaning.

Make sure the knobs are in the **OFF** positions and pull them straight off the stems for cleaning.

The knobs can be cleaned in a dishwasher or they may also be washed with soap and water. Make sure the insides of the knobs are dry before replacing.

Replace the knobs in the **OFF** position to ensure proper placement.

Painted Surfaces

Painted surfaces include the sides, control panel, door and kick panel. Clean these with soap and water or a vinegar and water solution.

Do not use commercial oven cleaners, cleansing powders, steel wool or harsh abrasives on any painted surface.

Porcelain Oven Interior

With proper care, the porcelain enamel interior will retain its attractive finish for many years.

Soap and water will normally do the job. Heavy spattering or spillovers may require cleaning with a mild abrasive cleanser. Soapy, wet pads may also be used. Do not allow food spills with a high sugar or acid content (such as milk, tomatoes, sauerkraut, fruit juices or pie filling) to remain on the surface. They may cause dull spots even after cleaning.

Household ammonia may make the cleaning job easier. Place 1/2 cup ammonia in a shallow glass pan and leave in a cold oven overnight. The ammonia fumes will help loosen the burned-on grease and food.

When necessary, you may use a commercial oven cleaner. Follow the package directions.

Cautions about using spray-on oven cleaners:

- Do not spray the oven cleaner on the electrical controls and switches because it could cause a short circuit and result in sparking or fire.
- Do not directly spray oven cleaner onto the oven heating elements.
- Do not allow a film from the cleaner to remain on the temperature sensor—it could cause the oven to heat improperly. (The sensor is located at the top of the oven.) Carefully wipe the bulb clean after each oven cleaning, being careful not to move the sensor since a change in its position could affect how the oven bakes.
- Do not spray any oven cleaner on the outside oven door, handles or any exterior surface of the oven, cabinet or painted surfaces. The cleaner can damage these surfaces.

Installation Instructions

20" and 24" Compact Electric Ranges

? Questions? Call 800.GE.CARES (800.432.2737) or Visit our Website at: GEAppliances.com

BEFORE YOU BEGIN

Read these instructions completely and carefully.

- **IMPORTANT** — Save these instructions for local inspector's use.
- **IMPORTANT** — Observe all governing codes and ordinances.
- **Note to Installer** – Be sure to leave these instructions with the Consumer.
- **Note to Consumer** – Keep these instructions for future reference.
- **Skill level** – Installation of this appliance requires basic mechanical skills.
- **Completion time** – 1 to 3 hours
- Proper installation is the responsibility of the installer.
- Product failure due to improper installation is not covered under the Warranty.

⚠ WARNING — This appliance must be properly grounded.

FOR YOUR SAFETY:

⚠ WARNING — Before beginning the installation, switch power off at service panel and lock the service disconnecting means to prevent power from being switched on accidentally. When the service disconnecting means cannot be locked, securely fasten a prominent warning device, such as a tag, to the service panel.

FOR YOUR SAFETY:

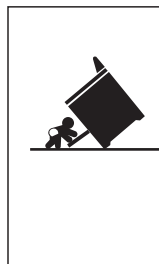
All rough-in and spacing dimensions must be met for safe use of your range. Electricity to the range can be disconnected at the outlet without moving the range if the outlet is in the preferred location (remove lower drawer).

To reduce the risk of burns or fire when reaching over hot surface elements, cabinet storage space above the cooktop should be avoided. If cabinet storage space is to be provided above the cooktop, the risk can be reduced by installing a range hood that sticks out at least 5" beyond the front of the cabinets. Cabinets installed above a cooktop must be no deeper than 13"

Be sure your appliance is properly installed and grounded by a qualified technician.

Make sure the cabinets and wall coverings around the range can withstand the temperatures (up to 200°F) generated by the range.

ANTI-TIP DEVICE



⚠ WARNING

Tip-Over Hazard

A child or adult can tip the range and be killed. Verify the anti-tip bracket has been properly installed and engaged. Ensure the anti-tip bracket is re-engaged when the range is moved. Do not operate the range without the anti-tip bracket in place and engaged. Failure to follow these instructions can result in death or serious burns to children or adults.

If you did not receive an anti-tip bracket with your purchase, call 1.800.626.8774 to receive one at no cost. (In Canada, call 1.800.561.3344.) For installation instructions for the bracket, visit www.GEAppliances.com (in Canada, www.GEAppliances.ca.)

Installation Instructions

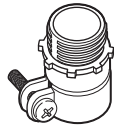
PREPARE TO INSTALL THE RANGE

MATERIALS YOU MAY NEED



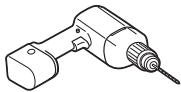
(UL Approved 40 AMP)

4-Wire Cord OR 3-Wire Cord
4' Long 4' Long



Squeeze Connector (For
Conduit Installations
Only)

TOOLS YOU WILL NEED



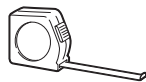
Drill with 1/8" Bit



Safety Glasses



Adjustable Wrench



Tape Measure



Pliers



Pencil



1/4" Nut Driver



Level

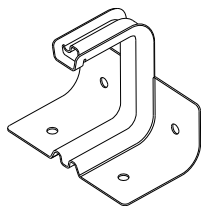


Phillips Screwdriver



Flat-blade Screwdriver

PARTS INCLUDED



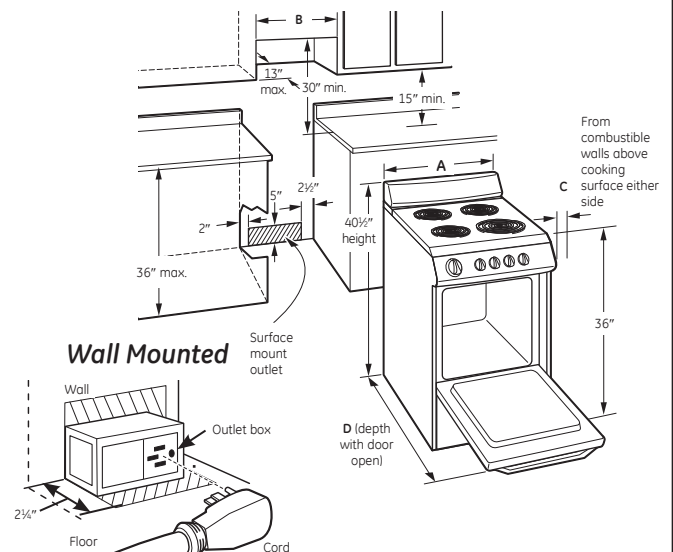
Anti-Tip Bracket Kit

1 REMOVE SHIPPING MATERIALS

Remove packaging materials. Failure to remove packaging materials could result in damage to the appliance.

2 PREPARE THE OPENING

- Allow 2" spacing from the range to adjacent vertical walls above the cooktop surface. Allow 30" minimum clearance between the surface units and the bottom of unprotected wood or metal top cabinet, and 15" minimum between the countertop and adjacent cabinet bottom.
- To eliminate the risk of burns or fire when reaching over hot surface elements, cabinet storage space above the cooktop should be avoided. If cabinet storage space is to be provided above the cooktop, the risk can be reduced by installing a range hood that protrudes at least 5" beyond the front of the cabinets. Cabinets installed above a cooktop may be no deeper than 13".



Recommended acceptable electrical outlet area. Orient the electrical receptacle so the length is parallel to the floor.

Models	A	B	C	D
20" Wide	20"	20 3/8"	2"	41"
24" Wide	24"	24 3/8"	2"	41"

Flooring under the range

Your range, like many other household items, is heavy and can settle into soft floor coverings such as cushioned vinyl or carpeting.

When moving the range on this type of flooring, it should be installed on a 1/4" thick sheet of plywood (or similar material) as follows:

When the floor covering ends at the front of the range, the area that the range will rest on should be built up with plywood to the same level or higher than the floor covering. This will allow the range to be moved for cleaning or servicing.

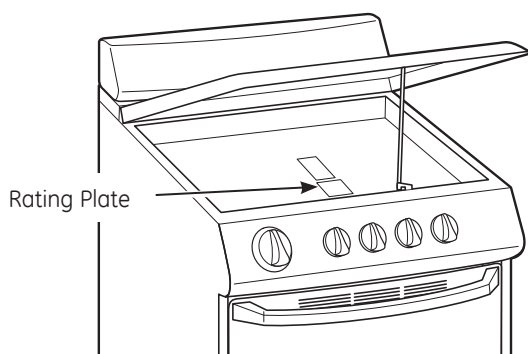
Installation Instructions

ELECTRICAL CONNECTIONS

ELECTRICAL REQUIREMENTS

⚠ CAUTION: For personal safety, do not use an extension cord with this appliance. Remove house fuse or open circuit breaker before beginning installation.

This appliance must be supplied with the proper voltage and frequency, and connected to an individual properly grounded branch circuit, protected by a circuit breaker or fuse having amperage as specified on the rating plate. The rating plate is located under the cooktop. See the Lift-Up Cooktop section in this manual for instructions on how to lift the cooktop.



We recommend you have the electrical wiring and hookup of your range connected by a qualified electrician. After installation, have the electrician show you where your main range disconnect is located.

Check with your local utilities for electrical codes which apply in your area. Failure to wire your oven according to governing codes could result in a hazardous condition. If there are no local codes, your range must be wired and fused to meet the requirements of the National Electrical Code, ANSI/NFPA No. 70- Latest Edition. You can get a copy by writing:

National Fire Protection Association
Batterymarch Park
Quincy, MA 02269

Effective January 1, 1996, the National Electrical Code requires that new construction (not existing) utilize a 4-conductor connection to an electric range.

ELECTRICAL REQUIREMENTS (cont.)

When installing an electric range in new construction, follow Steps 3 and 5 for 4-wire connection.

You must use a 3-wire, single-phase A.C. 208Y/120 Volt or 240/120 Volt, 60 hertz electrical system. If you connect to aluminum wiring, properly installed connectors approved for use with aluminum wiring must be used.

If the electrical service provided does not meet the above specifications, have a licensed electrician install an approved outlet.



ALL NEW BRANCH CIRCUIT INSTALLATIONS, MOBILE HOMES, RECREATIONAL VEHICLES AND INSTALLATIONS WHERE LOCAL CODES DO NOT ALLOW GROUNDING THROUGH NEUTRAL, REQUIRE A 4-CONDUCTOR CORD OR CONDUIT

Use only a 3-conductor or a 4-conductor UL-listed range cord. These cords may be provided with ring terminals on wire and a strain relief device.

A range cord rated at 40 amps with 125/250 minimum volt range is required. A 50 amp range cord is not recommended but if used, it should be marked for use with nominal 1 $\frac{3}{8}$ " diameter connection openings. Care should be taken to center the cable and strain relief within the knockout hole to keep the edge from damaging the cable.

- Because range terminals are not accessible after range is in position, flexible service conduit or cord must be used.

NOTE: If conduit is being used, go to Step 3D and then to Step 6 or 7.

- On some models, a filter capacitor may be connected between the black and white leads on the junction block.

Installation Instructions

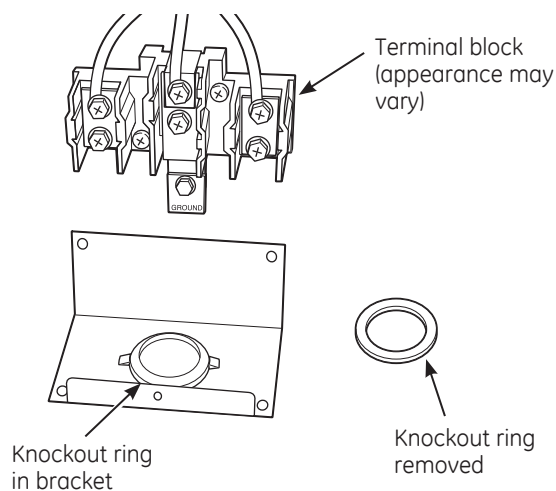
ELECTRICAL CONNECTIONS (CONT.)

3 POWER CORD AND STRAIN RELIEF INSTALLATION

- A** Remove the wire cover (on the lower back of the range) by removing its top center screw.

Do not discard this screw.

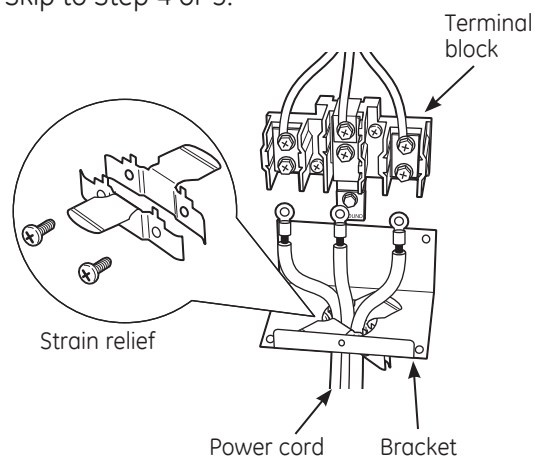
- B** Remove the knockout ring ($1\frac{3}{8}$ " \leq) located on bracket directly below the terminal block. To remove the knockout, use a pair of pliers to bend the knockout ring away from the bracket and twist until ring is removed.



- C** For power cord installations only (see the next step if using conduit), assemble the strain relief in the hole. Insert the power cord through the strain relief and tighten. Allow enough slack to easily attach the cord terminals to the terminal block. If tabs are present at the end of the winged strain relief, they can be removed for better fit.

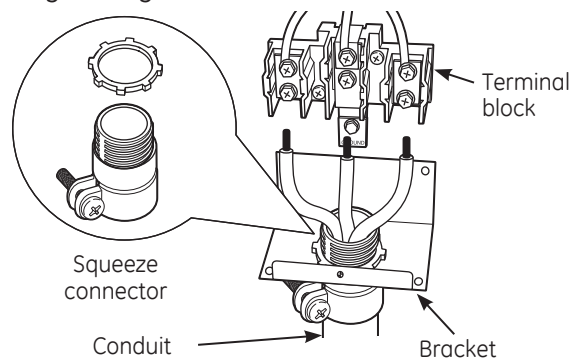
NOTE: Do not install the power cord without a strain relief. The strain relief bracket should be installed before reinstalling the rear range wiring cover.

Skip to Step 4 or 5.



- D** For conduit installations only, purchase a squeeze connector matching the diameter of your conduit and assemble it in the hole. Insert the conduit through the squeeze connector and tighten. Allow enough slack to easily attach the wires to the terminal block.

NOTE: Do not install the conduit without a squeeze connector. The squeeze connector should be installed before reinstalling the rear range wiring cover.



Skip to Step 6 or 7.

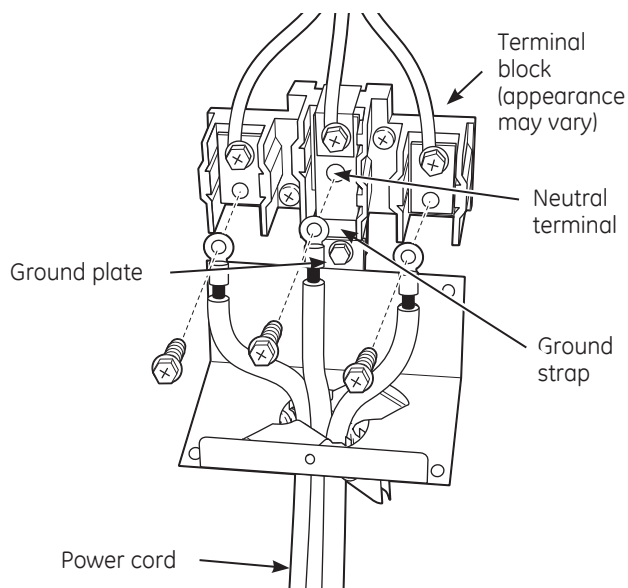
Installation Instructions

4 3-WIRE POWER CORD INSTALLATION

⚠ WARNING: The neutral or ground wire of the power cord must be connected to the neutral terminal located in the center of the terminal block. The power leads must be connected to the lower left and the lower right terminals of the terminal block.

- A** Remove the 3 lower terminal screws from the terminal block. Insert the 3 terminal screws through each power cord terminal ring and into the lower terminals of the terminal block. Be certain that the center wire (white/neutral) is connected to the center lower position of the terminal block. Tighten screws securely into the terminal block.

DO NOT remove the ground strap connection.



- B** Skip to Step 8 and proceed with the installation.

5 4-WIRE POWER CORD INSTALLATION

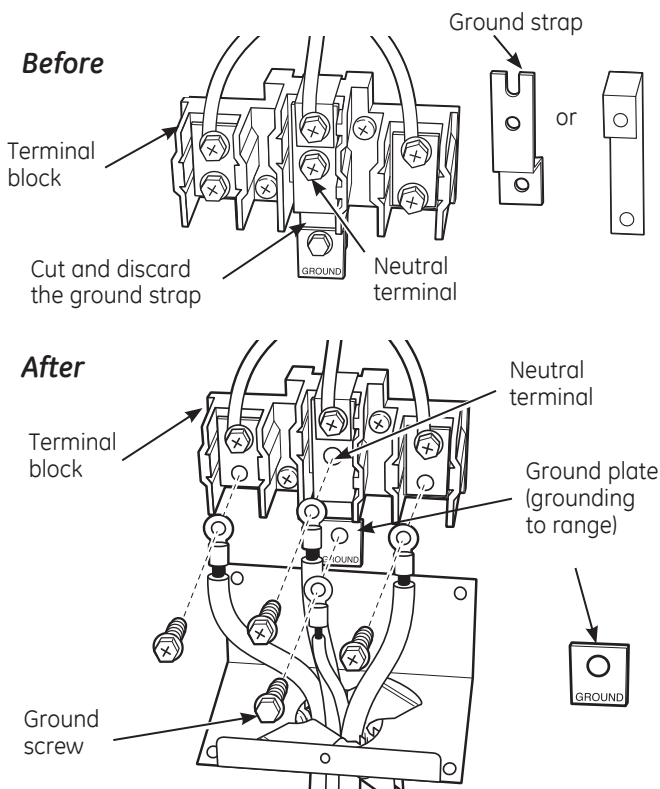
⚠ WARNING: The neutral wire of the supply circuit must be connected to the neutral terminal located in the lower center of the terminal block. The power leads must be connected to the lower left and the lower right terminals of the terminal block. The 4th grounding lead must be connected to the frame of the range with the ground plate and the ground screw.

- A** Remove the 3 lower terminal screws from the terminal block. Remove the ground screw and ground plate and retain them.

B Cut and discard the ground strap. **DO NOT DISCARD ANY SCREWS.**

- C** Insert the one ground screw into the power cord ground wire terminal ring, through the ground plate and into the frame of the range.

- D** Insert the 3 terminal screws (removed earlier) through each power cord terminal ring and into the lower terminals of the terminal block. Be certain that the center wire (white/neutral) is connected to the center lower position of the terminal block. Tighten screws securely into the terminal block.



- E** Skip to Step 8 and proceed with the installation.

Installation Instructions

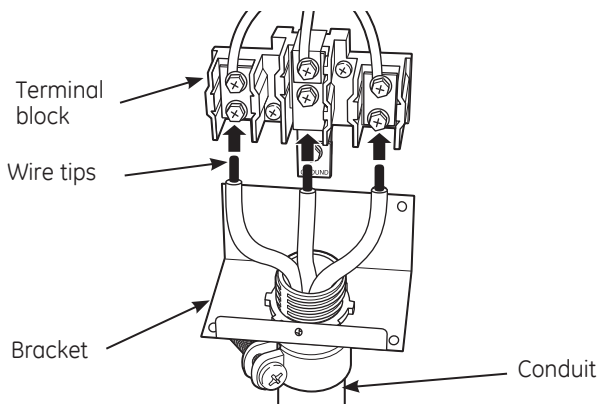
ELECTRICAL CONNECTIONS (CONT.)

6 3-WIRE CONDUIT INSTALLATION

- A** Loosen the 3 lower terminal screws from the terminal block. Insert the center bare wire (white/neutral) tip through the bottom center terminal block opening. On certain models, the wire will need to be inserted through the ground strap opening and then into the bottom center block opening. Insert the two side bare wire tips into the lower left and the lower right terminal block openings. Tighten the screws until the wire is firmly secure (approximately 20 inch-lbs.).

NOTE: ALUMINUM WIRING:

Aluminum building wire may be used but it must be rated for the correct amperage and voltage to make connection. Connect wires according to this Step 6 or Step 7 depending on number of wires.

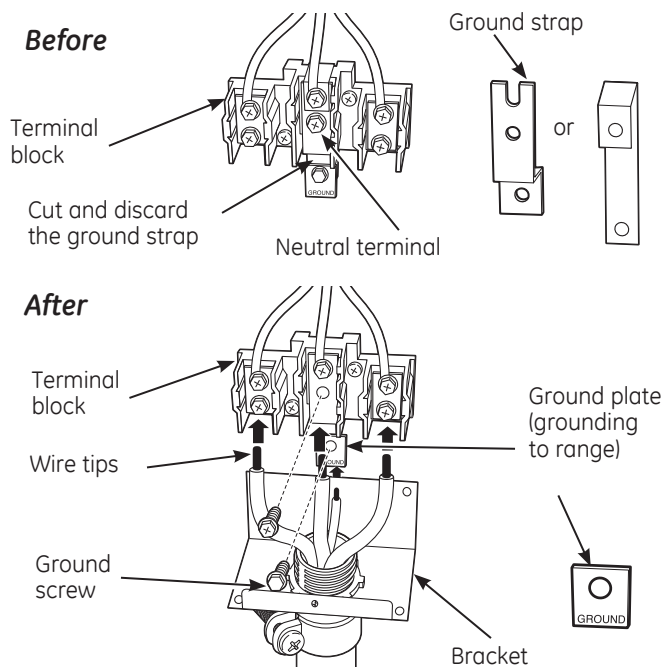


Wire used, location and enclosure of splices, etc., must conform to good wiring practices and local codes.

- B** Skip to Step 8 and proceed with the installation.

7 4-WIRE CONDUIT INSTALLATION

- A** Loosen the three lower terminal screws from the terminal block. Remove the ground screw and ground plate and retain them. **Cut and discard the ground strap. DO NOT DISCARD ANY SCREWS.**
- B** Insert the ground bare wire tip between the range frame and the ground plate (removed earlier) and secure it in place with the ground screw (removed earlier). Insert the bare wire (white/neutral) tip through the bottom center of the terminal block opening. Insert the two side bare wire tips into the lower left and the lower right terminal block openings. Tighten the screws until the wire is firmly secure (approximately 20 inch-lbs.).



Wire used, location and enclosure of splices, etc., must conform to good wiring practices and local codes.

- C** Proceed to Step 8.

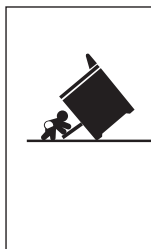
8 REPLACE THE WIRE COVER

Replace the wire cover on the range back by sliding its two lower retaining tabs into the slots and replacing the screw removed earlier. Make sure that no wires are pinched between the cover and the range back.

Installation Instructions

INSTALL THE RANGE

9 ANTI-TIP DEVICE INSTALLATION



⚠ WARNING

Tip-Over Hazard

- A child or adult can tip the range and be killed.
- Install the anti-tip bracket to the wall or floor.
- Engage the range to the anti-tip bracket by sliding the range back so the anti-tip arm slides under the anti-tip bracket.
- Re-engage the anti-tip bracket if the range is moved.
- Failure to do so can result in death or serious burns to children or adults.

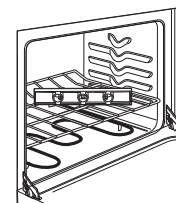
To reduce the risk of tipping the range, the range must be secured by a properly installed anti-tip bracket. See installation instructions shipped with the bracket for complete details before attempting to install.

To check if the bracket is installed and engaged properly, look underneath the range to see that the anti-tip arm attached to the side panel is engaged in the bracket. On some models, the storage drawer or kick panel can be removed for easier inspection. If visual inspection is not possible, slide the range forward, confirm the anti-tip bracket is securely attached to the floor or wall, and slide the range back so the anti-tip arm slides just under the anti-tip bracket. If the range is pulled from the wall for any reason, always repeat this procedure to verify the range is properly secured by the anti-tip bracket.

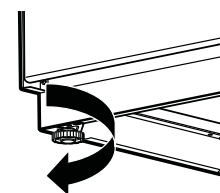
10 LEVEL THE RANGE

For proper cooking and baking, the range must be leveled. Leveling legs are located on each corner at the base of the range.

- A** Install the oven shelves (see **Using the oven** section for instructions). Put a spirit level or a glass measuring cup partially filled with water on one of the oven shelves.



- B** Turn the legs clockwise to raise the range and counterclockwise to lower the range. Adjust the leveling legs until the range is level.



11 FINAL INSTALLATION CHECKLIST

- Check to make sure the circuit breaker is closed (RESET) or the circuit fuses are replaced.
- Be sure power is in service to the building.
- Check to be sure that all packing materials and tape have been removed. This will include tape on metal panel under control knobs (if applicable), adhesive tape, wire ties, cardboard and protective plastic. Failure to remove these materials could result in damage to the appliance once the appliance has been turned on and surfaces have heated.
- Check to make sure that the Anti-Tip device is securely installed.
- Be sure all range controls are in the OFF position before leaving the range.

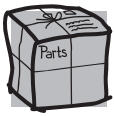
Before You Call For Service...



Troubleshooting Tips

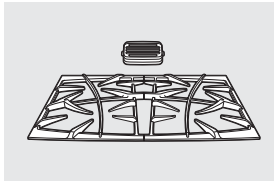
Save time and money! Review the chart on this page first and you may not need to call for service.

Problem	Possible Causes	What To Do
Surface units not functioning properly	The surface units are not plugged in solidly.	<ul style="list-style-type: none"> With the controls off, check to make sure the surface unit is plugged completely into the receptacle.
	The surface unit controls improperly set.	<ul style="list-style-type: none"> Check to see the correct control is set for the surface unit you are using.
	The drip pans are not set securely in the cooktop.	<ul style="list-style-type: none"> With the controls off, check to make sure the drip pan is in the recess in the cooktop and that the opening in the pan lines up with the receptacle.
Oven will not work	A fuse in your home may be blown or the circuit breaker tripped.	<ul style="list-style-type: none"> Replace the fuse or reset the circuit breaker.
	Plug on range is not completely inserted in the electrical outlet.	<ul style="list-style-type: none"> Make sure electrical plug is plugged into a live, properly grounded outlet.
	Oven control improperly set.	<ul style="list-style-type: none"> See the <i>Using the oven</i> sections.
Food does not broil properly	Oven control improperly set.	<ul style="list-style-type: none"> Make sure you turn the knob all the way to the BROIL position.
	Improper shelf position being used.	<ul style="list-style-type: none"> See the <i>Broiling Guide</i>.
	Cookware not suited for broiling.	<ul style="list-style-type: none"> Use the broiling pan and grid that came with your range.
	Aluminum foil used on the the broiling pan and grid has not been fitted properly and slit as recommended.	<ul style="list-style-type: none"> See the <i>Use of aluminum foil</i> section.
Food does not bake or roast properly	Oven control improperly set.	<ul style="list-style-type: none"> See the <i>Using the oven for baking or roasting</i> section.
	Shelf position is incorrect or the shelf is not level.	<ul style="list-style-type: none"> See the <i>Using the oven for baking or roasting</i> section.
	Necessary preheating was not done.	<ul style="list-style-type: none"> See the <i>Using the oven for baking or roasting</i> section.
	Incorrect cookware or cookware of improper size being used.	<ul style="list-style-type: none"> See the <i>Using the oven for baking or roasting</i> section.

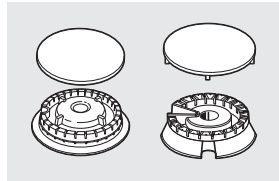


Looking For Something More? (Not all accessories are available for all models.)

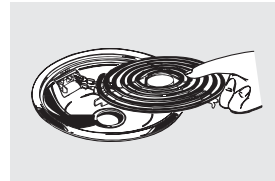
You can find these accessories and many more at GEAppliances.com (U.S.) or www.GEAppliances.ca (Canada), or call **800.626.2002** (U.S.) or **800.661.1616** (Canada) (during normal business hours). Have your model number ready.



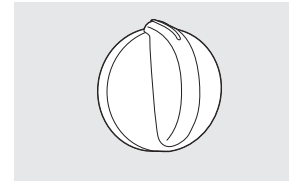
Grates



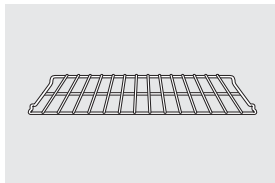
Surface Burner Heads and Caps



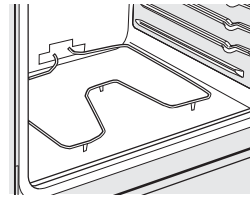
Surface Elements and Drip Pans



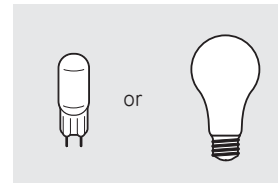
Knobs



Oven Racks



Oven Elements



Light Bulbs

Experience these other great products to keep your kitchen looking great!



Ceramic Cooktop Cleaning Kit: Includes cleaner, scraper and pad

WX10X117GCS



Ceramic Cooktop Cleaning Wipes

WX10X305



Stainless Steel Appliance Polish Wipes

WX10X10001



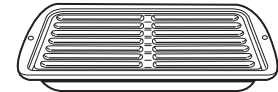
Stainless Steel Appliance Cleaner

PM10X311

Get the most out of your Broiler Pan! (Not for use with Broiler Drawer models.)

Use your pan and grid cover to broil hamburgers, seafood, steaks, vegetables, bacon, chops and so much more! The pan below catches the excess fats and oils.

- Genuine GE Part
- Easy To Clean
- One-Year Warranty



Limited Time Offer! Free Shipping!

When you order your broiler pan **within 30 days** of purchasing your GE cooking product.

	Small	Large*	XL**
U.S. Part #	WB48X10055	WB48X10056	WB48X10057
Dimensions	8-3/4" W x 1-1/4" H x 13-1/2" D	12-3/4" W x 1-1/4" H x 16-1/2" D	17" W x 1-1/4" H x 19-1/4" D

* The large (standard) broil pan does not fit in 20"/24" ranges.
 ** The XL pan does not fit in 24" wall ovens, 27" drop-ins or 20"/24" ranges.

To place your order, call **800.626.2002** (U.S.), **800.661.1616** (Canada) or mail this form to:
In the U.S.: GE Parts, P.O. Box 221027, Memphis, TN 38122-1027. **In Canada:** GE Parts, 1 Factory Lane, Moncton, N.B. E1C 9M3



Broiler Pan Order Form

Quantity _____ Part Number _____

Model Number _____ Serial Number _____ Brand _____ Date of Purchase _____

First Name _____ Last Name _____

Address _____

City _____ State _____ Zip Code _____

Phone _____ E-Mail _____

Check _____ Money Order

Call 800.626.2002 in the U.S. or 800.661.6161 in Canada for current pricing. All credit card orders must be called in.

Notes.

Notes.

Electric Range Warranty.



All warranty service provided by our Factory Service Centers, or an authorized Customer Care® technician. To schedule service, on-line, 24 hours a day, visit us at GEAppliances.com, or call 800.GE.CARES (800.432.2737). Please have serial number and model number available when calling for service.

Staple your receipt here.
Proof of the original purchase date is needed to obtain service under the warranty.

For The Period Of: We Will Replace:

One Year

From the date of the original purchase

Any part of the range which fails due to a defect in materials or workmanship.

During this **limited one-year warranty**, GE will also provide, **free of charge**, all labor and in-home service to replace the defective part.

What is Not Covered:

- Service trips to your home to teach you how to use the product.
- Improper installation, delivery or maintenance.
- Product damage or failure of the product if it is abused, misused, used for other than the intended purpose, or used commercially.
- Replacement of house fuses or resetting of circuit breakers.
- Damage to the product caused by accident, fire, floods or acts of God.
- Incidental or consequential damage caused by possible defects with this appliance.
- Damage caused after delivery.
- Product not accessible to provide required service.

EXCLUSION OF IMPLIED WARRANTIES—Your sole and exclusive remedy is product repair as provided in this Limited Warranty. Any implied warranties, including the implied warranties of merchantability or fitness for a particular purpose, are limited to one year or the shortest period allowed by law.

This warranty is extended to the original purchaser and any succeeding owner for products purchased for home use within the USA. If the product is located in an area where service by a GE Authorized Servicer is not available, you may be responsible for a trip charge or you may be required to bring the product to an Authorized GE Service Location for service. In Alaska, the warranty excludes the cost of shipping or service calls to your home.

Some states do not allow the exclusion or limitation of incidental or consequential damages. This warranty gives you specific legal rights, and you may also have other rights which vary from state to state. To know what your legal rights are, consult your local or state consumer affairs office or your state's Attorney General.

Warrantor: General Electric Company. Louisville, KY 40225

Consumer Support.



GE Appliances Website

GEAppliances.com

Have a question or need assistance with your appliance? Try the GE Appliances Website 24 hours a day, any day of the year! For greater convenience and faster service, you can now download Owner's Manuals, order parts or even schedule service on-line.



Schedule Service

GEAppliances.com

Expert GE repair service is only one step away from your door. Get on-line and schedule your service at your convenience 24 hours any day of the year! Or call 800.GE.CARES (800.432.2737) during normal business hours.



Real Life Design Studio

GEAppliances.com

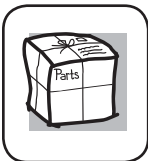
GE supports the Universal Design concept—products, services and environments that can be used by people of all ages, sizes and capabilities. We recognize the need to design for a wide range of physical and mental abilities and impairments. For details of GE's Universal Design applications, including kitchen design ideas for people with disabilities, check out our Website today. For the hearing impaired, please call 800.TDD.GEAC (800.833.4322).



Extended Warranties

GEAppliances.com

Purchase a GE extended warranty and learn about special discounts that are available while your warranty is still in effect. You can purchase it on-line anytime, or call 800.626.2224 during normal business hours. GE Consumer Home Services will still be there after your warranty expires.



Parts and Accessories

GEAppliances.com

Individuals qualified to service their own appliances can have parts or accessories sent directly to their homes (VISA, MasterCard and Discover cards are accepted). Order on-line today, 24 hours every day or by phone at 800.626.2002 during normal business hours.

Instructions contained in this manual cover procedures to be performed by any user. Other servicing generally should be referred to qualified service personnel. Caution must be exercised, since improper servicing may cause unsafe operation.



Contact Us

GEAppliances.com

If you are not satisfied with the service you receive from GE, contact us on our Website with all the details including your phone number, or write to:
General Manager, Customer Relations
GE Appliances, Appliance Park
Louisville, KY 40225



Register Your Appliance

GEAppliances.com

Register your new appliance on-line—at your convenience! Timely product registration will allow for enhanced communication and prompt service under the terms of your warranty, should the need arise. You may also mail in the pre-printed registration card included in the packing material.

ESTUFAS

Electricas compactas 20" y 24"

HOTPOINT

**Manual de usuario
e instrucciones de
instalacion**

RA720

RA724

Instrucciones de Seguridad 2-6

Instrucciones de Funcionamiento

Horno.....8-11
Unidades de Superficie 7

Cuidado y Aseo

Papel de Aluminio..... 8
Cubierta..... 12, 13
Perillas..... 14
Puerta de horno..... 13
Elementos de calentamiento
del horno 13
Interior del horno..... 14
Superficies pintadas..... 14
Parrillas..... 12
Unidades de superficie
y bandejas colectoras..... 12

Instrucciones de Instalación

Dispositivo Anti-volcaduras ... 15, 21
Dimensiones y Autorizaciones..... 16
Conexiones Eléctricas17-20
Piso..... 16
Nivelación..... 22
Preparación..... 16
Herramientas Que Necesitará..... 16

**Consejos para la Solución
de Problemas**23

Accesorios..... 24

Apoyo al cliente

Apoyo al consumidor ... Tapa Trasera
Garantía 27

Escriba los números de modelo y serie aquí:

Modelo # _____

Serie # _____


Puede encontrarlos en una etiqueta debajo de la estufa. Para acceder a instrucciones sobre cómo levantar la estufa, consulte la sección de Cubierta Abatible

INFORMACIÓN IMPORTANTE DE SEGURIDAD. LEA TODAS LAS INSTRUCCIONES ANTES DE SU USO.

⚠️ ADVERTENCIA

Lea todas las instrucciones de seguridad antes de utilizar este producto. No seguir estas instrucciones puede generar un incendio, una descarga eléctrica, lesiones corporales o la muerte.

DISPOSITIVO ANTI-VOLCADURAS



⚠️ ADVERTENCIA

Riesgo de Volcaduras

Un niño o adulto pueden volcar la cocina y morir. Verifique que el soporte anti-volcaduras se haya instalado y ajustado correctamente. Asegurese de que el soporte anti volcaduras sea reinstalado cuando se mueva la cocina. No utilice la cocina sin que el soporte anti-volcaduras esté colocado y ajustado. Si estas instrucciones no se siguen, como resultado se podrá producir la muerte o quemaduras graves de niños y adultos.

Para reducir el riesgo de volcar la cocina, ésta debe sujetarse mediante un soporte anti-volcaduras con una adecuada instalación. Ver las instrucciones de instalación enviadas con el soporte para obtener detalles completos antes de iniciar la instalación.

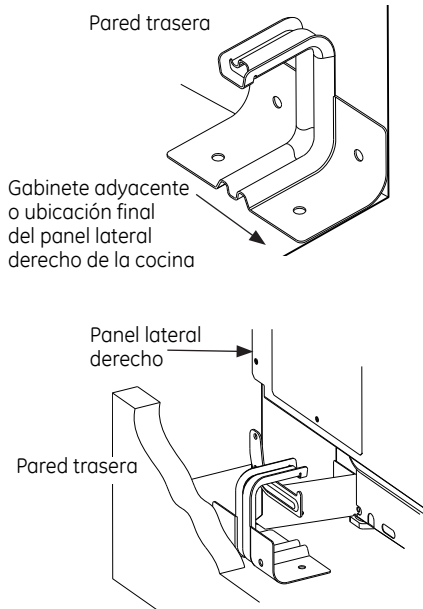
Para cocinas independientes:

Para revisar si el soporte está instalado y ajustado de forma apropiada, mire que debajo de la

cocina, el brazo anti volteo ensamblado en el lateral, este ajustado al soporte. En algunos modelos, el cajón de almacenamiento o el panel de protección se puede retirar para una inspección más fácil. Si no es posible realizar una inspección visual, deslice la cocina hacia adelante, confirme que el soporte anti-volcaduras esté ajustado de forma segura al piso o la pared, y deslice la cocina hacia atrás de modo que el brazo anti volteo se deslice por debajo del soporte anti-volcaduras.

Si la cocina es expulsada de la pared por alguna razón, siempre repita este procedimiento a fin de verificar que esté asegurada de forma correcta con un soporte anti volcaduras.

Si usted no recibió un soporte anti-volcaduras con su compra, llame al 1.800.626.8774 para recibir uno sin costo alguno (en Canadá, llame al 1.800.561.3344). Para consultar instrucciones de instalación del soporte, visite GEAppliances.com (en Canadá, GEAppliances.ca).



⚠️ ADVERTENCIA

NOTIFICACIÓN IMPORTANTE DE SEGURIDAD

La ley de California sobre aguas potables y tóxicos exige que el Gobernador de California publique una lista de sustancias que según el estado provoquen cáncer, defectos congénitos u otros daños reproductivos, y exige a las empresas que adviertan a los clientes sobre la exposición potencial a dichas sustancias.

La aislación de fibra de vidrio de los hornos auto-limpiantes emite una pequeña cantidad de monóxido de carbono durante el ciclo de limpieza. La exposición puede minimizarse ventilando con una ventana abierta o usando una campana o ventilador.

⚠ ADVERTENCIA INSTRUCCIONES GENERALES DE SEGURIDAD

- Use este aparato sólo con el objetivo para el que fue creado, como se describe en este Manual del Propietario.
- Asegúrese de que un técnico calificado realice una correcta instalación y puesta a tierra del artefacto de acuerdo con las instrucciones de instalación provistas.
- No intente reparar o cambiar ninguna pieza de su cocina a menos que esté específicamente recomendado en este manual. Cualquier otro servicio debe realizarlo un técnico calificado.
- Antes de realizar cualquier clase de reparación, desenchufe la cocina o desconecte el suministro eléctrico desde el panel de distribución doméstico quitando el fusible o desconectando el interruptor de circuitos.
- No deje a los niños solos; éstos no deben quedar solos o sin atención en un área donde un aparato esté en uso. Nunca debe permitirse que se suban, sienten o paren en cualquier parte de este aparato.
- **PRECAUCION:** No almacene elementos de interés para niños sobre una cocina o en la protección trasera de una cocina: los niños que se trepan a la cocina para alcanzar elementos pueden resultar gravemente heridos.
- Sólo use agarraderas secas: las agarraderas húmedas o mojadas colocadas en superficies calientes pueden provocar quemaduras de vapor. No permita que las agarraderas entren en contacto con unidades de superficie o los elementos calentadores calientes. No utilice toallas u otras telas gruesas en lugar de una agarradera.
- Nunca use su electrodoméstico para calentar la habitación.
- No toque las unidades de superficie, los elementos calentadores o la superficie interior del horno. Estas superficies pueden estar lo suficientemente calientes para quemar aún cuando tengan un color oscuro. Durante y después del uso, no toque o deje que su vestimenta u otros materiales inflamables entren en contacto con unidades de superficie, áreas cercanas a las unidades de superficie o cualquier área interior del horno; deje pasar un tiempo prudencial para que se enfríen. Otras superficies del aparato pueden calentarse lo suficiente como para provocar quemaduras. Las superficies potencialmente calientes incluyen la estufa, las áreas orientadas hacia la estufa, la abertura de ventilación del horno, las superficies cercanas a la abertura y las hendiduras ubicadas alrededor de la puerta del horno.
- No caliente recipientes cerrados de alimentos. Podría haber una acumulación de presión en el recipiente y éste podría explotar, provocando lesiones.
- No utilice papel de aluminio para revestir las bandejas colectoras o ninguna parte del horno, con excepción de lo descrito en este manual. Un uso inadecuado puede provocar daños a la cocina y una descarga eléctrica o un riesgo de incendio.
- Trate de no rayar o golpear las puertas, estufas o paneles de control de vidrio. Si lo hace podría romperse el vidrio. No cocine si un producto tiene un vidrio roto. Puede provocarse una descarga, un incendio o heridas.
- Cocine carnes de res y de ave por completo: Las carnes de res hasta alcanzar una temperatura interna de por lo menos 160°F (71°C) y las carnes de ave a una temperatura interna de por lo menos 180°F (82°C). La cocción a estas temperaturas generalmente protege de enfermedades transmitidas por los alimentos.

⚠ ADVERTENCIA MANTENGA LOS MATERIALES INFLAMABLES ALEJADOS DE LA COCINA.

- No almacene o utilice materiales inflamables dentro de un horno o cerca de la estufa, tales como papel, plástico, agarraderas, telas, recubrimientos de pared, cortinas y gasolina u otros vapores y líquidos inflamables.
- Nunca use vestimentas holgadas o amplias mientras utilice el aparato. Estas vestimentas pueden prenderse fuego si entran en contacto con superficies calientes, provocando quemaduras graves.
- No permita que la grasa de la cocción u otros materiales inflamables se acumulen dentro de la cocina o en su cercanía. La grasa dentro del horno o sobre la estufa puede encenderse.
- Limpie las campanas de ventilación con frecuencia. No debe permitirse la acumulación de grasa en la campana o en el filtro.

INFORMACIÓN IMPORTANTE DE SEGURIDAD.

LEA TODAS LAS INSTRUCCIONES ANTES DE SU USO.

▲ ADVERTENCIA EN CASO DE INCENDIO, SIGA LOS SIGUIENTES PASOS PARA EVITAR LA PROPAGACIÓN DEL FUEGO:

- No utilice agua en incendios de grasa. Nunca levante una sartén en llamas. Apague los controles. Apague una sartén en llamas sobre una unidad de superficie cubriendo la sartén por completo con una tapa que ajuste bien, una plancha para galletas o una bandeja plana. Utilice un químico seco multiuso o un extintor de incendios de espuma.
- Si hay un incendio en el horno durante el horneado, apáguelo cerrando la puerta del horno y apagando el control o usando un químico seco multiuso o un extintor de incendios de espuma.
- Si hay un incendio en el horno durante la auto-limpieza, apague el horno y espere a que el incendio se consuma. No abra la puerta del horno a la fuerza. El ingreso de aire fresco a temperaturas de auto-limpieza puede provocar una explosión de llamas desde el horno. No seguir esta instrucción puede provocar quemaduras graves.

▲ ADVERTENCIA INSTRUCCIONES DE SEGURIDAD DE LA ESTUFA

- Nunca deje las unidades de superficie sin atención en configuraciones de calor media o alta. Los alimentos que hierven y se derraman pueden provocar humo y derrames grasos que pueden prenderse fuego.
- Nunca deje aceite sin atención mientras fríe. Si se deja calentar más allá del punto de humeo, el aceite puede encenderse, provocando un incendio que podría propagarse a los gabinetes cercanos. Utilice un termómetro para grasa cuando sea posible para controlar la temperatura del aceite.
- Para evitar el derrame de aceite y un incendio, utilice una cantidad mínima de aceite cuando fría en sartenes poco profundas y evite la cocción de alimentos congelados con una cantidad excesiva de hielo.
- Utilice el tamaño de recipiente adecuado: Elija recipientes con bases planas lo suficientemente grandes para cubrir el elemento calentador de superficie. La utilización de recipientes más pequeños dejará expuesta una porción de la unidad de superficie al contacto directo, lo que puede provocar el encendido de sus vestimentas. Una relación adecuada del recipiente con la unidad de superficie también mejorará la eficiencia.
- Sólo ciertos tipos de recipientes de vidrio, vidrio/cerámico, cerámica, u otros recipientes vidriados pueden utilizarse sobre la estufa; otros pueden romperse debido al cambio repentino de temperatura.
- Para minimizar la posibilidad de quemaduras, el encendido de materiales inflamables y los derrames, la manija de los recipientes deben girarse hacia el centro de la cocina sin extenderse sobre ninguna unidad de superficie cercana.
- Si flambea alimentos bajo la campana, encienda el ventilador.
- Si se corta la corriente de una estufa eléctrica mientras una unidad de superficie está en ON (Encendida), la unidad de superficie volverá a ON (Encendida) tan pronto como se recupere la electricidad. En caso de pérdida de corriente, no colocar las perillas de unidad de superficie en OFF (Apagado) podrá producir el incendio de los artículos que estén en o cerca de la estufa, y ocasionar lesiones graves o la muerte.

⚠ ADVERTENCIA**INSTRUCCIONES DE SEGURIDAD DE LA ESTUFA RADIANTE** (algunos modelos)

- Tenga cuidado al tocar la estufa. La superficie de vidrio de la estufa retendrá calor después de que los controles se hayan apagado.
- No cocine sobre una estufa rota. Si la estufa se rompe, las soluciones de limpieza y los derrames pueden penetrar en la estufa rota y crear un riesgo de descarga eléctrica. Comuníquese con un técnico calificado de inmediato.
- Evite rayar la estufa de vidrio. La estufa puede rayarse con elementos tales como cuchillos, instrumentos filosos, anillos u otras joyas, y remaches de la ropa.
- No coloque o almacene elementos que pueden derretirse o prenderse fuego sobre la estufa de vidrio, aún cuando no la esté usando. Si la estufa se enciende en forma accidental, pueden prenderse fuego. El calor proveniente de la estufa o de la ventilación del horno también puede prenderlos fuego, aún si el aparato está apagado.
- Use el limpiador de estufas cerámicas CERAMA BRYTE® y la esponjilla de limpieza CERAMA BRYTE® para limpiar la estufa. Espere hasta que la estufa se enfríe y la luz indicadora se apague antes de limpiar. Una esponja o un paño húmedos sobre una superficie caliente pueden provocar quemaduras de vapor. Algunos limpiadores pueden producir humos tóxicos si se los aplica a una superficie caliente. **NOTA:** Los derrames de azúcar son la excepción. Éstos deben quitarse mientras están calientes utilizando una agarradera y un raspador. Para instrucciones detalladas, ver la sección Cómo limpiar la estufa de vidrio.
- Lea y cumpla con todas las instrucciones y advertencias de la etiqueta de la crema de limpieza.

⚠ ADVERTENCIA**INSTRUCCIONES DE SEGURIDAD DE LA ESTUFA DE BOBINAS** (algunos modelos)

- No sumerja o remoje las unidades de superficie desmontables. No las coloque en el lavavajillas. No coloque las unidades de superficie dentro del horno cuando realice la auto-limpieza. Si lo hace pueden llegar a fallar, provocando un peligro de quemaduras o de incendio.
- Para evitar la posibilidad de una quemadura o descarga eléctrica, siempre verifique que los controles de todas las unidades de superficie se encuentren en la posición OFF (apagado) y que todas las bobinas estén frías antes de levantar o quitar una unidad de superficie de bobinas.
- Asegúrese de que las bandejas colectoras no estén cubiertas y se encuentren en su lugar. Su ausencia durante la cocción podría dañar las piezas y el cableado de la cocina.
- N'utilisez pas de feuilles d'aluminium pour doubler les lèchefrites. Le papier peut emprisonner la chaleur et fondre, endommageant ainsi le produit et présentant un risque de choc électrique ou d'incendie.

⚠ ADVERTENCIA**INSTRUCCIONES DE SEGURIDAD DEL HORNO**

- Manténgase alejado de la cocina cuando abra la puerta del horno. El aire y el vapor calientes que salen de la cocina pueden provocar quemaduras en manos, rostro y/o ojos.
- Mantenga sin obstrucciones la ventilación del horno.
- Mantenga el horno libre de acumulaciones de grasa. La grasa dentro del horno puede prenderse fuego.
- Siempre coloque las bandejas del horno en la posición deseada mientras el horno esté frío. Si la bandeja debe quitarse cuando el horno todavía está caliente, no permita que la agarradera toque el elemento calentador del horno.
- Cuando utilice bolsas de cocción o de asado en el horno, siga las instrucciones del fabricante.
- Tire de la bandeja del horno hasta la posición de tope de detención cuando cargue o descargue alimentos del horno. Esto ayuda a evitar quemaduras por tocar superficies calientes de la puerta y las paredes del horno.
- No deje productos como papel, utensilios de cocina o alimentos en el horno cuando no lo esté usando. Los elementos guardados en el horno pueden prenderse fuego.
- No utilice papel de aluminio para revestir el piso del horno. El papel de aluminio puede atrapar o reflejar el calor, provocando una descarga eléctrica o un peligro de incendio.

INFORMACIÓN IMPORTANTE DE SEGURIDAD. LEA TODAS LAS INSTRUCCIONES ANTES DE SU USO.

⚠ ADVERTENCIA INSTRUCCIONES DE SEGURIDAD DEL HORNO AUTO-LIMPIANTE *(algunos modelos)*

La característica de auto-limpieza funciona en el horno a temperaturas lo suficientemente elevadas como para quemar los restos de alimentos que quedaron dentro del horno. Siga estas instrucciones para una operación segura.

- Antes de iniciar el ciclo de autolimpieza remueva los sartenes, parrillas de metal brillante y otros utensilios del horno. solo pueden dejarse en el horno las parrillas revestidas de porcelana gris o negra. No utilice la auto-limpieza para limpiar otras piezas como bandejas brillantes o charolas.
- Antes de utilizar el ciclo de auto-limpieza, limpie la grasa y los derrames de alimentos del horno. Una cantidad excesiva de grasa puede encenderse, generando daños por el humo en su hogar.
- Si el modo de auto-limpieza no funciona, apague el horno y desconecte el suministro de energía. Llame a un técnico calificado para solicitar el arreglo.
- No limpie la empacadura de la puerta. La empacadura de la puerta es esencial para un buen sellado. Debe tenerse cuidado de no refregar, dañar o mover la empacadura.
- No utilice limpiadores de horno. No debe utilizarse ningún limpiador comercial o revestimiento protector de ninguna clase dentro o alrededor de ninguna pieza del horno.

⚠ ADVERTENCIA CAJÓN CALENTADOR/CAJÓN DEL HORNO INFERIOR INSTRUCCIONES DE SEGURIDAD *(algunos modelos)*

- El objetivo del cajón calentador es mantener alimentos cocidos calientes a la temperatura de servicio. Por debajo de los 140°F (60°C) puede producirse crecimiento de bacterias en los alimentos. No coloque alimentos fríos en el cajón calentador. No caliente alimentos por más de 2 horas. No seguir estas instrucciones puede provocar enfermedades transmitidas por los alimentos.
- No deje productos de papel, plásticos, comida enlatada o materiales combustibles en el cajón. Pueden prenderse fuego.
- No toque el elemento calentador o la superficie interna del cajón. Estas superficies pueden estar lo suficientemente calientes como para provocar quemaduras.
- Tenga cuidado al abrir el cajón. Abra un poco el cajón y deje salir el aire caliente y el vapor antes de quitar o volver a colocar los alimentos. El aire y el vapor calientes que salen pueden provocar quemaduras en manos, rostro y/u ojos.
- No utilice papel de aluminio para revestir el cajón calentador. El papel metálico es un excelente aislante de calor y atraparé el calor debajo de él. Esto alterará el desempeño del cajón y potencialmente podría provocar un riesgo de incendio.

LEA Y SIGA ESTA INFORMACIÓN DE SEGURIDAD CUIDADOSAMENTE.

GUARDE ESTAS INSTRUCCIONES

A lo largo de este manual, las características y la apariencia pueden variar de su modelo.

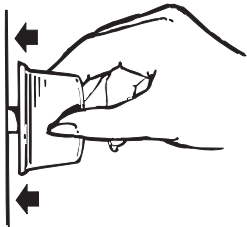
Control de los Quemadores Superiores

Los quemadores superiores y las perillas para controlarlos están diseñados para darle una variedad de rangos de temperatura para cocinar.

En ambas posiciones **LO** y **HI**, usted escuchará un pequeño sonido "click". **HI** representa la máxima temperatura alcanzada; **LO** representa la mínima temperatura.

En una cocina con un funcionamiento tranquilo, es posible que escuche un ligero chasquido que indique que las temperaturas seleccionadas se están manteniendo.

Cambiar la temperatura a una más alta siempre se mostrará más rápido que al cambiarla a una más baja.



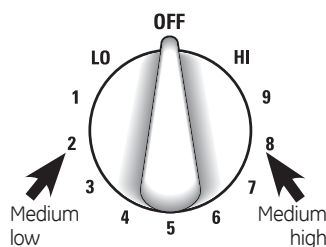
Cómo usar las perillas

- 1 Empuje la perilla de control hacia adentro.
- 2 Gire, ya sea a la derecha o a la izquierda, hasta la posición deseada de calor.

Se debe empujar la perilla hacia adentro sólo para cambiar de la posición "OFF"

Cuando la perilla esté en cualquier otra posición que no sea "OFF", Ud. puede darle vuelta sin empujarla hacia adentro. Asegúrese de poner la perilla en la posición de "OFF" (apagado) cuando termine de cocinar.

Un indicador con luz brillará cuando cualquier unidad esté encendida.



Guía para Temperaturas

HI – Alto; Comienzo rápido de cocción; lleva el agua a su punto de ebullición.

MEDIO ALTO – Freído rápido, asado en sartén; mantiene cantidades grandes de alimentos en ebullición rápida.

MEDIO – Acitronar y dorar; mantiene cantidades grandes de alimentos en ebullición lenta.

MEDIO BAJO – Cereal; mantiene a los alimentos a temperaturas adecuadas para ser servidos.

LO – Cocina después de empezar en HI; cocina con poca agua en sartén tapado. Use para cocinar arroz al vapor.

Nota:

- 1 En **ALTO** ó en **MEDIO ALTO**, nunca deje a los alimentos sin atender. Los derrames de líquidos causan humo; los derrames de grasa pueden provocar incendios.
- 2 En **LO**, derrita chocolate o mantequilla en un traste pequeño.

Consejos de Cocción

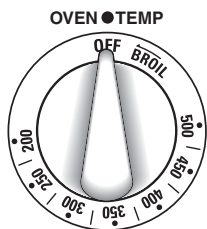
- Use trastes pesados o medianamente pesados. Los utensilios de aluminio conducen calor más rápido que otros metales. Utensilios de acero fundido o peltre son lentos para absorber calor pero cocinan uniformemente a temperaturas bajas o medias. Las ollas de acero pueden cocinar irregularmente si no contienen aleaciones de otros metales.
- No sature las ollas con grasa, ya que esto puede causar derrames cuando añada alimentos. Los alimentos congelados espuman vigorosamente. Cuide los alimentos que frían a altas temperaturas.

mantenga la estufa y la campana aseados y sin grasa acumulada.

- Para conservar energía, las ollas deben de contar con fondo plano, paredes rectas, y tapas ajustadas. Trate de que el tamaño de su batería se ajuste al tamaño de sus quemadores. Una olla cuyos bordes sobresalen por más de una pulgada los bordes de las charolas del serpentín, atrapa calor, lo que causa la aparición de grietas finas en la porcelana, y decoloración de un tono de azul a gris oscuro en las charolas de cromo del serpentín.

Usando el horno.

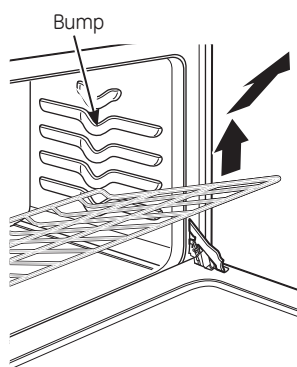
La perilla de temperatura del horno se localiza en el panel de control en el frente de la estufa.



Perilla de Temperatura del Horno

Gire esta perilla a la configuración deseada.

La luz indicadora de horno encendido parpadeará hasta que el horno alcance la temperatura deseada, después enciende y apaga junto con las resistencias del horno mientras hornea.



Antes de comenzar...

Para evitar posibles quemaduras, coloque las parrillas en la posición deseada antes de encender el horno.

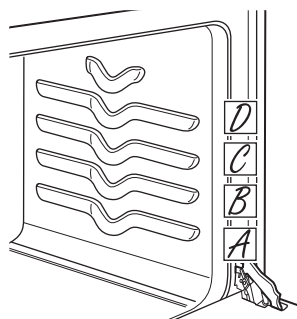
Cuando están bien colocadas sobre los soportes de parrillas (de la A a la E) las parrillas tienen seguros para evitar que salgan por completo del horno y se inclinen.

Cuando coloque y retire trastes, jale la parrilla hasta que toque el tope de los soportes.

Para retirar una parrilla, jale hacia usted, incline el borde delantero y sáquela del horno.

Para reemplazar, coloque el borde de la parrilla que tiene los seguros en el soporte, incline hacia arriba y empuje hasta que entre por completo al horno.

NOTA: La parrilla no está diseñada para resbalar en la posición baja especial (R).



Posiciones de las parrillas del horno

El horno tiene cuatro soportes para la parrilla- A (abajo), B, C, y D (parte superior).

El horno tiene 4 posiciones para las parrillas

Papel de aluminio

No use papel de aluminio para cubrir el fondo del horno. El aluminio atraparé el calor en la parte inferior y alterará el funcionamiento del horno. El aluminio se puede derretir y dañar de forma permanente el fondo del horno. Cualquier daño por uso inadecuado del aluminio no estará cubierto por la garantía del producto.

El aluminio se puede usar para retener derrames, colocando una hoja en el estante inferior, varias pulgadas por debajo de la comida. No use más aluminio que el necesario y nunca cubra totalmente un estante del horno con papel de aluminio. Mantenga el aluminio por lo menos a una pulgada y media de las paredes del horno para evitar una mala circulación del calor.

Para evitar posibles quemaduras, coloque las parrillas en la posición deseada antes de encender el horno.

Como preparar su horno para hornear o asar

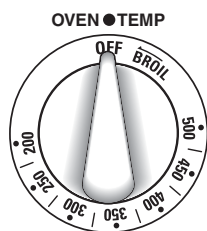
- 1 Coloque la parrilla o parrillas en el horno. Si cocina en dos parrillas al mismo tiempo, escalone los recipientes para una mejor circulación del calor.
- 2 Cierre la puerta del horno. Gire la perilla OVEN TEMP en el sentido de las manecillas del reloj a la temperatura deseada. Precaliente el horno al menos 10 minutos si es necesario.
- 3 Coloque la comida en el centro de la parrilla. Deje al menos 2 pulgadas (5 Cm) entre el borde del recipiente u las paredes adyacentes del horno.
- 4 Revise la cocción de la comida al tiempo mínimo de la receta. Cocine mas tiempo si es necesario. Gire la perilla **OVEN TEMP** a **OFF** y remueva la comida.

Posiciones de las parrillas

- La mayoría de los horneados se realizan en la segunda posición de la parrilla (B) o en la tercera posición (C) del piso.
- Cuando hornee tres o cuatro artículos, use dos parrillas colocandolas en la segunda y cuarta posición del piso de horno (B y D)
- Hornee los pasteles angel en la primer posición de la parrilla (A) del piso de horno.
- Asar se realiza usualmente en la posición (A) del horno.

Precalentamiento

- Precalentar el horno toma cerca de 10 minutos.
- Precaliente el horno solamente cuando sea necesario usualmente para hornear.
- La mayoría de asados se cocinaran satisfactoriamente sin precalentamiento.
- Si considera necesario el precalentamiento, observe la luz indicadora del ciclo de horno, coloque la comida tan pronto como la luz de horno se apague. la luz indicadora de horno encendera y se apagara con el ciclo del termostato, este ciclea para mantener la temperatura del horno.



Tips de asado y horneado

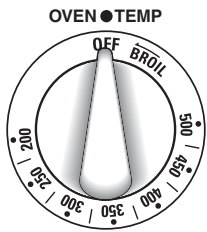
- Siga una receta probada y mida los ingredientes con cuidado, si esta usando una mezcla en paquete, siga las instrucciones de la etiqueta.
- No abra la puerta de horno durante la operación de horneado-el calor se perdera y el tiempo de horneado puede excederse. Esto puede causar como resultado un horneado pobre. Si debe abrir la puerta del horno, abrila parcialmente solo 3 o 4 pulgadas (7 a 10 cm)- y cierre la puerta tan pronto como sea posible.
- Asar es cocinar con calor seco. Carne de ternera o de aves puede ser asada al descubierto en su horno. Las temperaturas de asado, las cuales deben ser bajas y estables, mantendran al minimo las salpicaduras. Durante el asado no es necesario dorar, rociar, cubrir o agregar agua a su carne.
- Asados congelados de carne de res, cerdo, cordero, etc. se pueden iniciar sin descongelar pero permitir de 10 a 25 minutos por libra de tiempo adicional. (10 minutos para asados de menos de 5 libras, mas tiempo para asados mas grandes)
- Descongele las aves mas congeladas antes de asar para asegurar el punto de cocción. Algunas aves congeladas comerciales pueden ser cocinadas con exito sin descongelar. siga las instrucciones mostradas en la etiqueta del paquete.

Ajustando el termostato de horno- Hagalo usted!

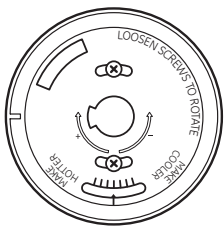
Puede darse cuenta que su nuevo horno cocina diferente al que fue reemplazado. Use el nuevo horno por algunas semanas para familiarizarse con el. Si aun cree que su nuevo horno es demasiado caliente o demasiado frio, usted puede ajustar el termostato.

No use termómetros, tales como los que puede encontrar en las tiendas para revisar la temperatura programada de su horno. Estos termómetros pueden variar de 20° a 40°F.

NOTA: Este ajuste no afectara las temperaturas de asado. El ajuste se mantendra despues de una falla en el suministro de energía.



Frente de la perilla de horno
(la apariencia puede variar)



Respaldo de la perilla de horno

Para ajustar el termostato con este tipo de perilla

- 1** **Jale la perilla OVEN TEMP fuera de la estufa y mire la parte posterior.**
Para hacer el ajuste, afloje (aproximadamente una vuelta), pero no retire completamente los tornillos en la parte posterior de la perilla.
- 2** Con el respaldo de la perilla mirando hacia usted, sostenga el babero de la perilla con una mano y gire el frente de la perilla con la otra.
Para incrementar la temperatura del horno, mueva el tornillo superior hacia la derecha. Escuchara un clic en cada muesca que mueva la perilla.

Para disminuir la temperatura, mueva el tornillo superior hacia la izquierda.

Cada clic cambiara la temperatura del horno aproximadamente 10°F (el rango es mas menos 60°F desde la flecha). Sugerimos que haga el ajuste solo un clic del ajuste original y revise el desempeño del horno antes de hacer ajustes adicionales.

- 3** **Despues de que realizo el ajuste,** apriete los tornillos de tal manera que queden ajustados, pero con cuidado para no apretar demasiado.
- 4** Reemplace la perilla, haciendo coincidir el area plana de la perilla con el vastago, y revise el desempeño

Cierto tipo de margarina puede afectar el desempeño de horneado!

La mayoría de las recetas han sido desarrolladas usando grandes cantidades de ingredientes con alto contenido de grasas, tales como mantequilla o margarina (80% grasa). Si reduce la cantidad de grasa, podrá obtener resultados distintos a los que obtendría usando una mayor cantidad de grasa.

Podría haber fallas en su receta si prepara pasteles, galletas o dulces con pasta bajas en grasa. A menor cantidad de grasa, mayores las discrepancias en su receta.

Los estándares federales requieren que los productos etiquetados como margarina contengan un mínimo de 80% grasa por peso. Los productos bajos en grasa contienen más agua y menos grasa. La humedad de estos productos afecta la textura y el sabor de los alimentos horneados. Para mejores resultados con sus recetas antiguas, use margarina, mantequilla o productos que contengan un mínimo de 70% de grasa vegetal. least 70% vegetable oil.

Asar a la parrilla puede ser ligeramente diferente de cualquier asado a la parrilla con el que este familiarizado, asegúrese de leer esta sección completa.

Para ajustar el horno para asar.

Asar es cocinar la comida con una radiación intensa de calor de la resistencia superior del horno. la mayoría de pescados y cortes de carne blandos pueden ser asados. Siga estos pasos para mantener las salpicaduras y humo al mínimo.

- 1 Si la carne tiene grasa o cartilago alrededor del borde, haga cortes verticales con 2" de separación, si desea, recorte la grasa dejando una capa de aproximadamente 1/8" de espesor.
- 2 Coloque la carne en una charola y tapa asador diseñadas para asar. Siempre use la rejilla para que la grasa caiga dentro de la charola, de otra forma los jugos pueden calentarse hasta incendiarse.
- 3 Coloque la parrilla en la posición C para la mayoría de los asados.
- 4 Cierre la puerta, **siempre ase con la puerta cerrada.**
- 5 Gire la perilla del horno **OVEN TEMP** en el sentido de las manecillas del reloj a **BROIL**. Sentira un nicho en la posición de **BROIL** (asar).
- 6 Gire la comida solo una vez durante el cocinado
- 7 Gire la perilla de **OVEN TEMP** a **OFF** (apagado). Sirva la comida inmediatamente, y deje la charola fuera del horno durante la comida para una limpieza mas fácil.

Guia de asado


- Si desea marine la carne o el pollo antes de asar, o agregue salsas barbecue los ultimos 5 a 10 minutos solamente.
- Los filetes se pueden asar colcandolos una posición abajo en el horno e incrementando el tiempo de cocinado dado en esta tabla por 1.5 veces.
- Cuando acomode la parrilla en la charola, no permita que los bordes grasos cuelguen en los lados debido a que el goteo de grasa ensusiará el horno.
- Si su estufa esta conectada a 208 volts, carnes jugosas pueden ser asadas precalentando el asador y colocando la parrilla una posición mas alta.

Comida	Cantidad o espesor	Posición	Tiempo en minutos		Comentarios
			Primer lado	Segundo lado	
Tocino	230 grms (cerca de 8 rebanadas delgadas)	C	3½ min.	3½ min.	Acomodelos en una sola capa.
Carne molida	450 grms. (4 empanadas) De 1 a 2.5 cms de espesor	C	10 min.	7 min.	Coloquelos espaciados.
Filete de res Medio	2.5 cms de espesor De 450 a 575 grms	C	9 min.	9 min.	Filetes de menos de 1" de espesor se cocinara antes de dorarse. Una sartén es recomendada. Corte la grasa.
Pollo	1 completo De 900 a 1,350 grms Haga un corte a lo largo	A	35 min.	15 min.	Reduzca el tiempo cerca 5 a 10 minutos por lado cortando el pollo. Agregue mantequilla derretida con una brocha. en cada lado. Ase primero el lado sin piel.
Pescado	450 grms de filete De 0.5 a 1 cms de espesor	C	5 min.	5 min.	Maneje y volteo con cuidado. Agregue mantequilla de limon con una brocha antes y durante el cocinado. Si desea precaliente el asador para incrementar el dorado.

Cuidado y limpieza de la estufa.

Asegurese de que la corriente electrica este apagada y todas las superficies esten frias antes de limpiar cualquier parte de la estufa.

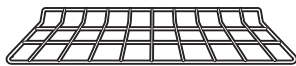
El cuidado y limpieza apropiados son importantes para que su estufa le proporcione un servicio eficiente y satisfactorio. Siga estas instrucciones cuidadosamente para el cuidado de su estufa para asegurar un mantenimiento apropiado y seguro.

	⚠ ADVERTENCIA
	Riesgo de Volcaduras Un niño o adulto pueden volcar la cocina y morir. Verifique que el soporte anti-volcaduras se haya instalado y ajustado correctamente. Asegurese de que el soporte anti volcaduras sea reinstalado cuando se mueva la cocina. No utilice la cocina sin que el soporte anti-volcaduras esté colocado y ajustado. Si estas instrucciones no se siguen, como resultado se podrá producir la muerte o quemaduras graves de niños y adultos.

Cubierta porcelanizada

El acabado de esmalte de porcelana es robusto pero quebradizo si es mal usado. Este acabado es resistente al acido. Sin embargo, algunos derrames de alimentos acidos (tales como jugos de frutas, jitomate o vinagre) no deben de

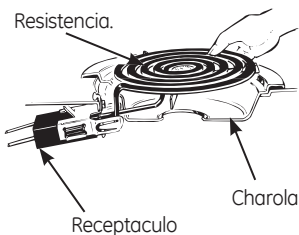
permanecer en la cubierta.



Parrillas de horno

Limpie las parrillas con un limpiador abrasivo o con una fibra.

Despues de la limpieza, enjuague las parrillas con agua limpia y seque con un paño seco.



Para remover la resistencia, levantela cerca de 1" sobre la charola y jalela hacia afuera.



Reemplace la charola en el hueco de la cubierta

Unidades de superficie y charolas

Para limpiar las unidades de superficie, gire el control hasta el punto mas alto por un minuto. las resistencias quemaran cualquier mancha.

Para remover una unidad de superficie

Para remover las charolas para limpieza, primero deben ser removidas las resistencias. asegurese de que las resistencias esten frias antes de tocarlas.

Levante la resistencia cerca de 1" sobre la charola y jalela hacia afuera.

No levante la resistencia mas de 1", Si usted lo hace puede ser que la resistencia no se quede plana cuando la coloque nuevamente.

Nota: Levantar repetidamente la resistencia mas de 1" por encima de la charola puede dañar permanentemente el receptaculo.

Para reemplazar la unidad de superficie

Reemplace la charola dentro del hueco de la cubierta. asegurese de alinear la abertura de la charola con el receptaculo.

Inserte las terminales de la resistencia en el receptaculo a traves de la abertura de la charola.

Guie la resistencia en su lugar de tal manera que descanse uniformemente.

Para limpiar las charolas

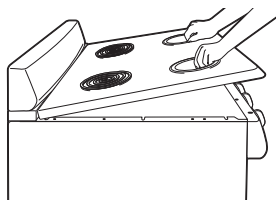
Las charolas pueden limpiarse en el lavavajillas o a mano. si usted usa un estropajo, frote suavemente para evitar rayaduras

Q Puedo cubrir las charolas con papel aluminio?

A No, porque usar papel aluminio cerca del receptaculo puede causar un corto circuito, fuego o daño a la estufa.

Precuación:

- No sumerja las resistencias en liquidos de cualquier tipo.
- No limpie las resistencias en el lavavajillas.
- No doble las terminales de las resistencias.
- No intente limpiarm ajustar o reparar el receptaculo.



Cubierta Abatible

Limpie el área debajo de la cubierta con regularidad. La suciedad acumulada, en especial la grasa, puede incendiarse.

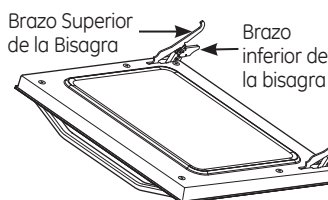
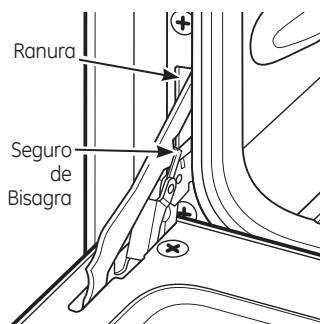
Para facilitar el aseo, la cubierta puede levantarse y abrirse.

Asegúrese de que las resistencias eléctricas estén apagadas antes de levantar la cubierta.

Retire las resistencias eléctricas y las charolas frontales. Vea la sección *Resistencias Eléctricas tipo Serpentin*. Tome la cubierta por los dos agujeros frontales al remover las charolas y

levántela, manténgala en esta posición con ayuda de la varilla.

Después de limpiar con agua jabonosa caliente y un trapo, detenga la cubierta, regrese la varilla a su posición de guardado y baje la cubierta hasta que quede en posición. Tenga cuidado de no pellizcarse los dedos. Coloque nuevamente las dos charolas frontales y las resistencias eléctricas. Vea la sección *Resistencias Eléctricas tipo Serpentin*.



Puerta Removible

La puerta del horno es removible, pero pesada. Puede necesitar ayuda para remover y reemplazar la puerta.

Para remover la puerta:

- 1 Abra la puerta completamente.
- 2 Jale los seguros de las bisagras por encima de los ganchos de bisagra en ambos lados.
- 3 Detenga la puerta firmemente por ambos lados, levante ligeramente y jale hacia usted.

Para volver a colocar la puerta:

- 1 Detenga la puerta firmemente por ambos lados.
- 2 Inserte y acomode los brazos superiores e inferiores de las bisagras en las ranuras del horno.
- 3 Empuje los seguros de las bisagras hacia abajo de los ganchos de bisagra.
- 4 Cierre la puerta del horno y asegúrese de que funciona sin problemas. Si no funciona apropiadamente, retire la puerta y vuelva a colocarla siguiendo los pasos anteriores.

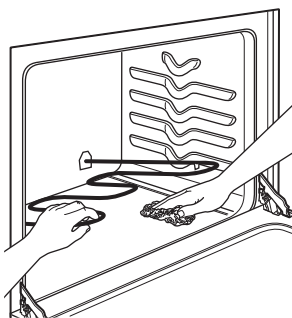
No intente cerrar la puerta hasta que este paso esté completado. De otra manera, la puerta o las bisagras podrían resultar dañadas.

Resistencias del horno

No limpie las resistencias de hornear o asar. Cualquier suciedad será quemada cuando las resistencias se calienten.

La resistencia de hornear puede ser levantada delicadamente para aseo el piso del horno. No intente limpiar ninguna superficie del horno cuando cualquier resistencia se encuentre encendida. Siempre use protección en las manos cuando asee superficies internas del

horno o superficies que queden cerca de las resistencias eléctricas. Si llegaron a acumularse residuos, cenizas o derrames alrededor de la resistencia para hornear, limpie alrededor de este cuidadosamente con agua tibia.



Cuidado y limpieza de la estufa.

Control Knobs

Para una limpieza más sencilla, las perillas de control pueden quitarse.

Verifique que las perillas estén en la posición **OFF** (apagado) y sáquelas de los vástagos para la limpieza.

Las perillas pueden limpiarse en el lavavajillas o también pueden lavarse con jabón y agua. Asegúrese de que la parte interna de las perillas esté seca antes de volver a colocarse. Vuelva a colocar las perillas en la posición **OFF** (apagado) para asegurar una colocación correcta.

Superficies pintadas

Las superficies pintadas incluyen los lados de la cocina y la puerta, la parte superior del panel de control y el frente del cajón. Límpielas con jabón y agua o con una solución de agua y vinagre.

No utilice limpiadores de horno comerciales, polvos limpiadores, esponjillas de acero o abrasivos potentes sobre cualquier superficie pintada.

Interior del Horno de Porcelana

Con el cuidado apropiado, el acabado de esmalte de la porcelana en el interior del horno – parte superior, inferior, costados, parte trasera e interior de la puerta - permanecerá con un aspecto nuevo por años.

Espera a que el horno se enfríe antes de limpiar. Le recomendamos que use guantes de goma al limpiar el horno.

El jabón y el agua normalmente harán el trabajo. Las salpicaduras y los derrames importantes podrán requerir que la limpieza se realice con un limpiador suave y abrasivo. También se pueden usar estropajos con jabón.

No permita que los derrames de comida con alto contenido de azúcar o ácido (tal como tomates, chucrut, jugos de fruta o rellenos de tartas) permanezcan en la superficie.

El amoníaco hogareño puede facilitar el trabajo de la limpieza. Coloque ½ taza en un vaso de vidrio o envase de cerámica en un horno frío durante la noche. Los gases del amoníaco ayudarán a aflojar la grasa y la comida quemada.

De ser necesario, puede usar un limpiador para horno. Siga las instrucciones del paquete.

- No rocíe con un limpiador de horno sobre los controles y enchufes eléctricos, ya que esto podría ocasionar un cortocircuito y producir un incendio.
- No rocíe limpiador directamente sobre los quemadores de horno.
- Evite que una capa del limpiador se acumule en el sensor de temperatura – podría hacer que el horno caliente de forma inadecuada. (El sensor está ubicado en la parte superior del horno). Con cuidado, limpie el sensor luego de cada limpieza del horno, teniendo cuidado de no mover el sensor, ya que un cambio de posición podría afectar la forma de hornear del horno.
- No rocíe ningún limpiador para horno sobre la puerta, manijas o cualquier superficie exterior del horno, gabinetes o superficie pintada. El limpiador puede dañar estas superficies.

Instrucciones de Instalación

ESTUFAS ELECTRICAS COMPACTAS 20" Y 24"

? ¿Preguntas? Llame a 800.GE.CARES (800.432.2737) o visite nuestra página: [www. GEAppliances.com](http://www.GEAppliances.com)

Antes de Comenzar

Leas estas instrucciones cuidadosamente.

- **IMPORTANTE-** Guarde estas instrucciones para que puedan ser usadas por el inspector local.
- **IMPORTANTE-** Cumpla con todos los códigos gubernamentales y ordenanzas.
- **Nota para el técnico-** Asegúrese de dejar estas instrucciones en el poder del consumidor.
- **Nota para el consumidor-** Guarde estas instrucciones como referencia.
- **Tiempo de instalación-** 1 a 3 horas.
- La instalación apropiada de este aparato es responsabilidad de quién lo instale.
- Las fallas en el aparato que sean causadas por su instalación inapropiada no están cubiertas por la garantía.

⚠ ADVERTENCIA — Este aparato debe de ser conectado a tierra apropiadamente.

PARA SU SEGURIDAD:

⚠ ADVERTENCIA — Antes de comenzar la instalación, apague el interruptor de alimentación en el panel de control y bloquee el panel para evitar que el interruptor sea activado por accidente. si el panel de servicio no se puede bloquear asegure firmemente una forma de advertencia que llame la atención, como una etiqueta en el panel de control.

Todas las dimensiones de espacio y aproximadas se deben cumplir para el uso seguro de su cocina. La electricidad de su cocina puede ser desconectada del contacto sin mover la cocina si el contacto esta instalado en la ubicacion recomentada (quite el cajón inferior).

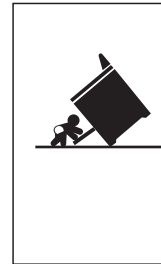
POR SU SEGURIDAD: ADVERTENCIA

Para reducir el riesgo de quemaduras o incendios cuando se extienda el brazo sobre superficies calientes, evite almacenar objetos o alimentos por encima de la cubierta. Si se van a almacenar objetos por encima de la cubierta, el riesgo puede ser reducido instalando una campana para el aparato que sobresalga al menos 5" del borde frontal de las alacenas. Las alacenas que sean instaladas por encima del aparato no deben exceder las 13" de profundidad.

Asegúrese de que su aparato esté instalado correctamente y conectado a tierra por un técnico calificado.

Asegúrese de que las alacenas y las cubiertas de las paredes que se encuentren en las cercanías del aparato resistan las temperaturas (hasta 200°F) generadas por el aparato.

Mecanismo para evitar la inclinación del aparato



⚠ ADVERTENCIA

Riesgo de Volcaduras

Un niño o adulto pueden volcar la cocina y morir. Verifique que el soporte anti-volcaduras se haya instalado y ajustado correctamente.

Asegurese de que el soporte anti volcaduras sea reinstalado cuando se mueva la cocina.

No utilice la cocina sin que el soporte anti-volcaduras esté colocado y ajustado.

Si estas instrucciones no se siguen, como resultado se podrá producir la muerte o quemaduras graves de niños y adultos.

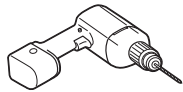
Si usted no recibió un soporte anti volteo con su compra, llame al 1.800.626.8774 para recibir uno sin costo. (en Canadá, llame al 1.800.561.3344.) para las instrucciones de instalación del soporte, visite: www.GEAppliances.com (en Canadá, www.GEAppliances.ca)

Si su cocina no cuenta con un soporte anti-volteo llame al 1-800-626-8774 para recibir uno sin costo.

Instrucciones de Instalación

PREPÁRESE PARA INSTALAR EL APARATO.

HERRAMIENTAS QUE NECESITARÁ



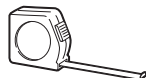
Taladro con broca de 1/8"



Lentes de seguridad



Llave inglesa



Flexometro



Pinzas



Lápiz



Desarmador de caja de 1/4"



Nivel de carpintero

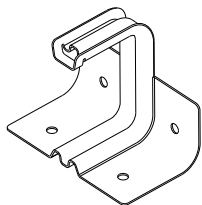


Desarmador de cruz



Desarmador plano

PARTES INCLUIDAS



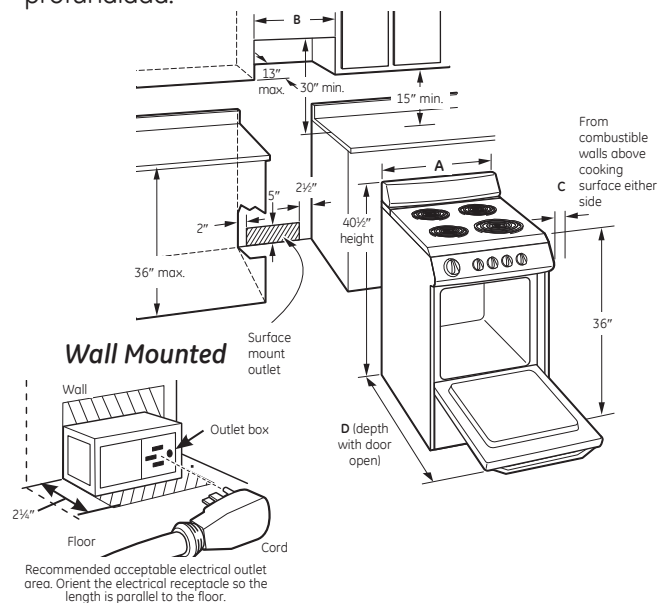
Kit de dispositivo anti-volteo

1 RETIRE LOS MATERIALES DE EMPAQUE

Retire los materiales de empaque. El no remover los materiales en los que viene empacado el aparato podría resultar en daños al aparato.

2 PREPARE LA APERTURA

- Permita 2" de espacio entre el aparato y paredes adyacentes por encima de la superficie de la cubierta. Permita 30" de espacio mínimo entre las unidades de superficie (quemadores) y el fondo de la alacena de madera o metal, y 18" mínimo entre la encimera y el fondo adyacente de la alacena.
- Para reducir el riesgo de quemaduras o incendios cuando se extienda el brazo sobre superficies calientes, evite almacenar objetos o alimentos por encima de la cubierta, el riesgo puede ser reducido instalando una campana para el aparato que sobresalga al menos 5" del borde frontal de las alacenas. Las alacenas que sean instaladas por encima del aparato no deben exceder las 13" de profundidad.



Models	A	B	C	D
20" Wide	20"	20 3/8"	2"	41"
24" Wide	24"	24 3/8"	2"	41"

Requerimientos de piso para colocar la estufa

Su estufa, como otros aparatos domésticos, es pesada, y puede asentarse en pisos suaves como alfombras y vinilo acolchonado.

Cuando mueva la estufa sobre este tipo de piso, deberá ser instalada sobre una lámina de triplay (o de algún material similar de 1/4" de la siguiente manera:

Cuando el material que cubre el piso termine justo frente a la estufa, el área donde la estufa se instalará deberá ser cubierta con triplay a un nivel igual o superior que el material que recubre el piso.

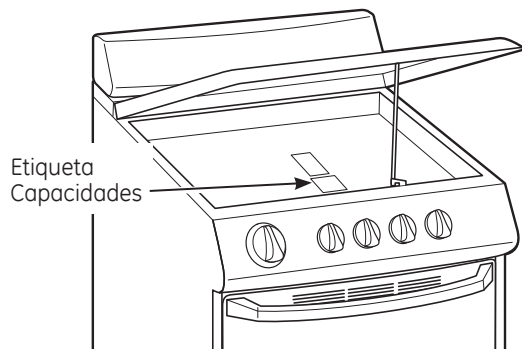
Instrucciones de Instalación

CONEXIONES ELÉCTRICAS

REQUISITOS ELÉCTRICOS

⚠ PRECAUCIÓN: Para su seguridad, no utilice una extensión eléctrica con este aparato. Remueva los fusibles de la casa o el circuito abierto diferencial antes de iniciar la instalación.

Este aparato debe de recibir el voltaje y la frecuencia apropiados, y debe de ser conectado a un circuito derivado individual que esté conectado a tierra apropiadamente, y debe de estar protegido por un interruptor diferencial o fusible que cuente con un amperaje igual al estipulado en la placa de potencias. La etiqueta de capacidades se encuentra debajo de la cubierta. Vea la sección de levantar la cubierta en este manual para las instrucciones de como levantar la cubierta.



Le recomendamos solicitar a un técnico calificado para la instalación eléctrica de su aparato. Después de instalado el aparato, pida a su técnico que le muestre desde donde puede ser desconectado completamente el aparato.

Revise con sus empresas de servicio público locales sobre cuales son los códigos eléctricos de su área. El no conectar su horno de acuerdo a los códigos gubernamentales de su área podría resultar en una situación peligrosa. Si su área no cuenta con códigos locales, su aparato debe de contar con una instalación eléctrica que cumpla con los requisitos del National Electrical Code, ANSI/NFPA No. 70- Última Edición. Puede adquirir una copia enviando una carta a:

National Fire Protection Association
Batterymarch Park
Quincy, MA 02269

Desde Enero 1, 1996, los códigos eléctricos nacionales requieren que las nuevas construcciones (no existentes) utilicen conexiones de 4 conductores para estufas eléctricas.

Cuando instale estufas eléctricas en una construcción nueva, siga los pasos 4 y 5 para conexiones de 4 cables.

REQUISITOS ELÉCTRICOS (Cont.)

Deberá usar un sistema de cable de 3 fichas de fase simple y C.A. 208Y/120 Voltios o 240/120 Voltios, 60 Hertz. Si conecta un cableado de aluminio, se deberán usar conectores instalados correctamente para uso con cableado de aluminio.

Si el servicio eléctrico brindado no cubre las especificaciones anteriores, solicite a un electricista matriculado la instalación de un tomacorriente aprobado.

NOTA: No se recomienda para este producto el uso de interruptores automáticos, sin cables o con cables externos que corten la corriente del electrodoméstico.



ALTO TODAS LAS CONSTRUCCIONES NUEVAS, CASAS RODANTES E INSTALACIONES DONDE LAS REGLAMENTACIONES LOCALES NO PERMITAN A TERRIZAR LOS EQUIPOS A TRAVÉS DEL CABLE NEUTRO, REQUIEREN UN CABLE CONDUCTOR DE 4- HILOS APROBADO POR UL.

Use solamente cables especificados por UL del tipo 3-hilos o 4- hilos conductores. Estos cables pueden ser suministrados con terminaciones tipo arillo y un dispositivo para reducir la tensión. Se requiere un cable para estufa especificado para 40 amperes y 125/250 volts como mínimo.

No se recomienda usar un cable especificado para 50 Amperes, pero si se decide a usarlo, debe ser alguno especificado para usarse con conexiones de 1 3/8" de diámetro. Se debe cuidar que el cable quede centrado y utilizar el dispositivo para aliviar la tensión de manera que se evite que el cable quede expuesto a filos cortantes.

- Debido a que las terminales eléctricas no son accesibles después de que la estufa está en posición, tubo flexible o cable debe ser usado.

NOTA: Si se usa tubo-porta cables (conduit) vea el paso 3D y luego siga los pasos 6 y 7.

- En algunos modelos, un capacitor de filtro puede ser conectado entre las terminales blanca y negra del bloque de terminales.

Instrucciones de Instalación

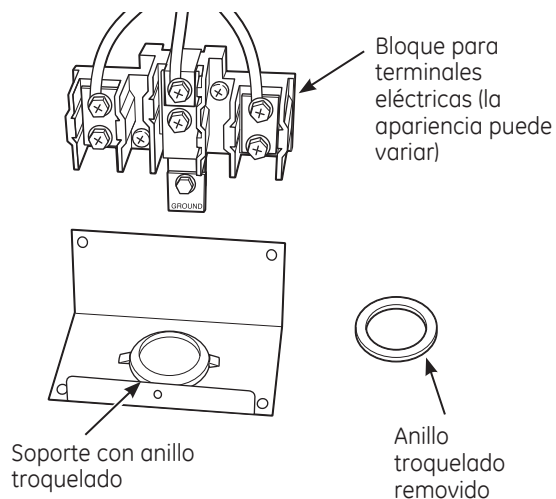
CONEXIONES ELÉCTRICAS (CONT.)

3 INSTALACION DEL CABLE Y DISPOSITIVO PARA REDUCIR TENSION

A Retire la cubierta del cable (parte trasera del aparato) retirando el tornillo en la parte superior central.

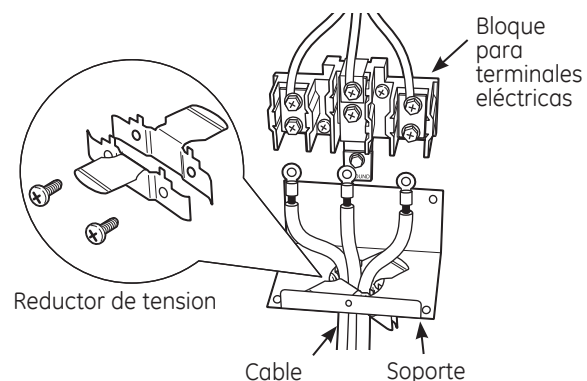
No deseche este tornillo.

B Retire el anillo troquelado (1 3/8") que se encuentra en el soporte directamente debajo del bloque para terminales eléctricas. Para retirar el anillo, use pinzas para doblar el anillo troquelado y alejarlo del soporte y gire hasta que remueva el anillo.



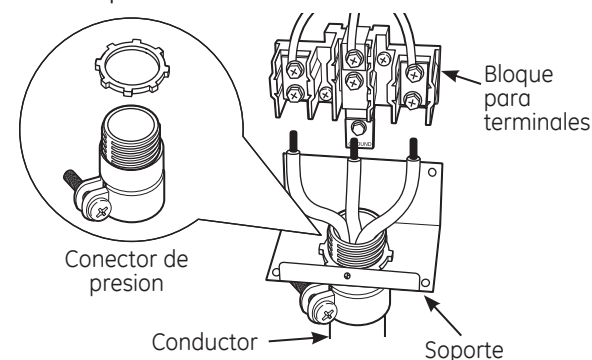
C Solo para instalaciones de cable (vea el siguiente paso si está usando tubo porta cable (conduit), ensamble el reductor de tensión en el hueco. Inserte el cable a través del reductor de tensión y apriete. Permita que quede la suficiente longitud para sujetar las terminales del cable al bloque para terminales eléctricas. Si encuentra protuberancias en la punta del reductor de tensión con tornillo de tuerca de alas, pueden ser removidas para que se acomode mejor.

NOTA: No instale el cable sin el reductor de tensión. El soporte de reductor de tensión debe ser instalado antes e reinstalar la cubierta de cable de la parte trasera del aparato. Vea los pasos 4 á 5.



D Solamente para instalaciones con tubo Porta-cables (Conduit), adquiera un conector de presión que encaje con el diámetro de su tubo portacables (conduit) y ensamble en el hueco del soporte. Inserte el tubo porta-cables a través del conector de presión y apriete. Permita que los cables tengan la suficiente longitud para conectar los cables al bloque para terminales.

NOTA: No instale el tubo porta-cables (conduit) sin un conector de presión. Verifique que se haya instalado un conector de presión antes de colocar la cubierta de cables al respaldo de la estufa. Vea los pasos 6 o 7.



Instrucciones de Instalación

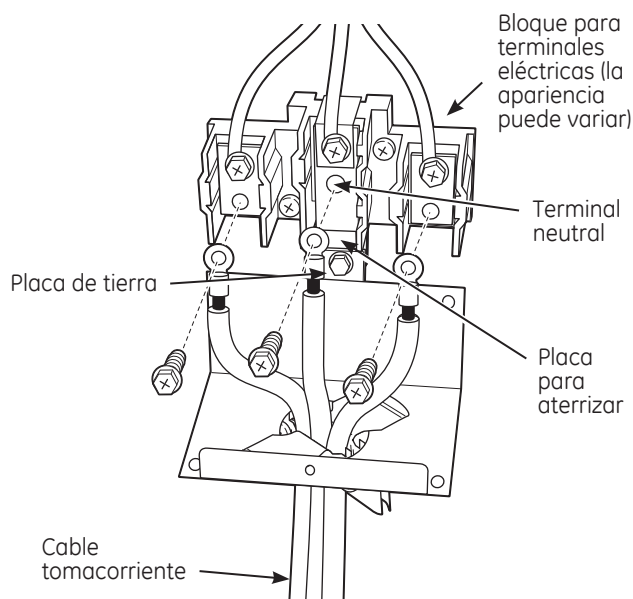
4 INSTALACIÓN DE CABLE DE 3 HILOS

⚠ ADVERTENCIA: El hilo de tierra o neutral del cable debe ser conectado a la terminal neutral que se encuentra en el centro del bloque para terminales eléctricas. los cables con corriente deben ser conectados a las terminales derecha e izquierda del bloque de terminales eléctricas.

A Retire los 3 tornillos del bloque para terminales, inserte los tornillos en los tres arillo de los cables en cada una de las terminales del bloque de conexiones. asegurese que el cable localizado al centro (blanco/neutral) sea conectado al centro del bloque de terminales eléctricas. Apriete los tornillos asegurandolos en el bloque de terminales eléctricas.

No remueva la placa para aterrizar.

B Vea el paso 8 y proceda con la instalación



5 INSTALACIÓN DE CABLE DE 4 HILOS

⚠ ADVERTENCIA: El cable neutro del circuito de suministro de energía debe ser conectado a la terminal del neutro localizado en el centro del bloque de terminales eléctricas. Los cables que conducen corriente deben ser conectados en las terminales derecha e izquierda del bloque de conexiones. El cuarto cable (de tierra)

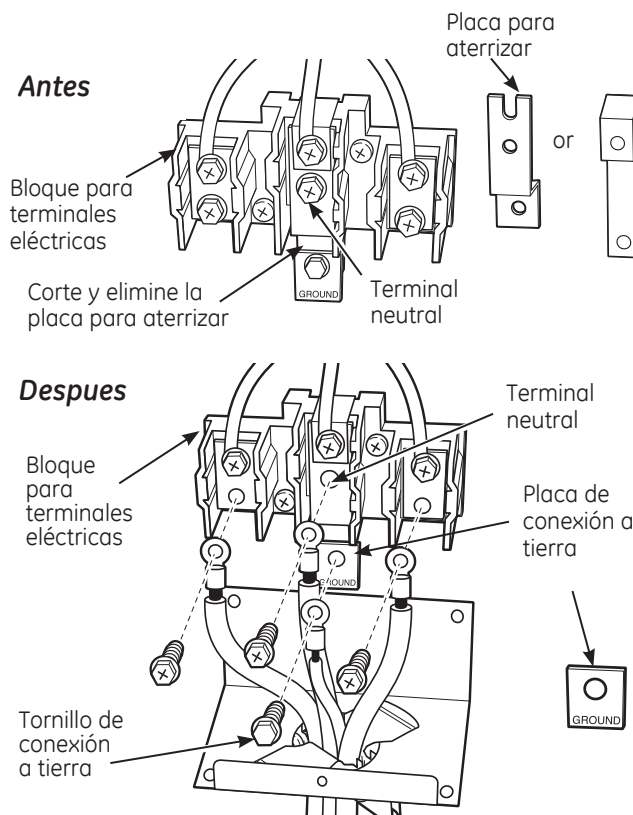
A Retire los 3 tornillos del bloque para terminales. Remueva el tornillo de tierra, la placa de tierra y la placa para aterrizar y guardelos.

B Corte y retire la placa para conexión a tierra. **NO TIRE NINGUNO DE LOS TORNILLOS.**

C Inserte el tornillo de tierra al anillo del cable de conexión a tierra, después a la placa para tierra y atornille al respaldo de la estufa.

D Inserte los 3 tornillos del cable (removidos anteriormente) a cada una de las terminales del bloque de conexiones. Asegurese que el cable centro (Blanco/Neutro) sea conectado al centro del bloque de conexiones eléctricas. Reinserte y apriete los tornillos con fuerza.

E Vea el paso 8 y proceda con la instalación.



Instrucciones de Instalación

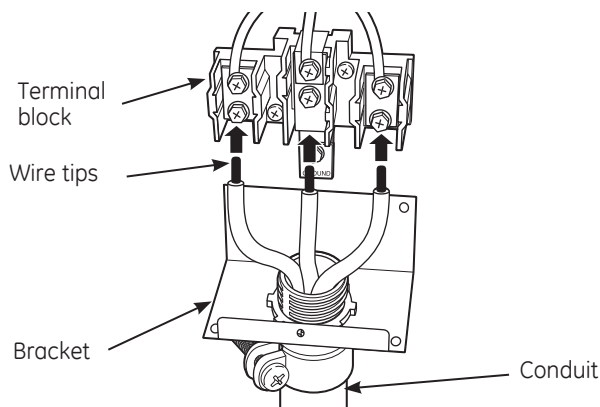
CONEXIONES ELÉCTRICAS (CONT.)

6 INSTALACION CON TUBO PORTACABLE (CONDUIT) DE 3-HILOS

- A** Afloje los tres tornillos inferiores del bloque de conexiones. Inserte la punta del cable pelado (Blanco/Neutro) a través del orificio de la terminal central del bloque de conexiones. En ciertos modelos, el cable necesitará ser insertado a través de la placa de tierra y después al orificio de la terminal central del bloque de conexiones. Inserte las otras dos puntas de los cables pelados dentro de las aberturas de las terminales izquierda y derecha del bloque de conexiones. Apriete los tornillos hasta que el cable quede sujeto con firmeza (aproximadamente 20 lb-in)

NOTA: CABLES DE ALUMINIO:

Se pueden usar cables hechos de aluminio pero deben estar fabricados para el voltaje y amperaje correctos para hacer las conexiones. Conecte los cables de acuerdo a los pasos 6 o 7 dependiendo del número de hilos.

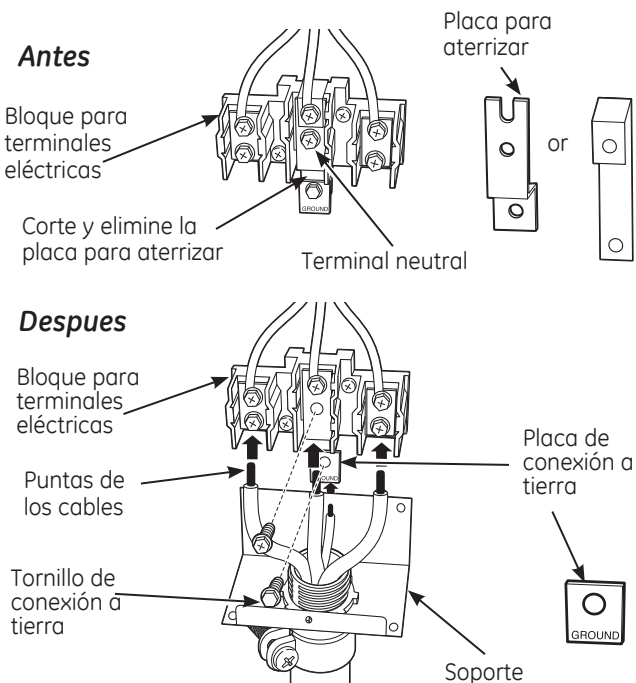


El cable usado, la posición y el aislamiento usado en las conexiones, etc., debe estar de acuerdo con buenas practicas de cableado y las reglamentaciones locales.

- B** Salte al paso 8 y proceda con la instalación.

7 INSTALACION CON TUBO PORTACABLE (CONDUIT) DE 4-HILOS

- A** Afloje los tres tornillos inferiores del bloque de conexiones. **Corte y tire la plaquita de aterrizaje a tierra (Ground Strap). NO TIRE NINGÚN TORNILLO.**
- B** Inserte la punta del cable pelado de tierra entre el respaldo de la estufa y la placa de tierra (removida en el paso anterior) y asegure el cable en su lugar mediante el tornillo de tierra (también retirado en el paso anterior). Inserte las otras dos puntas de los cables pelados dentro de las aberturas de las terminales izquierda y derecha del bloque de conexiones. Apriete los tornillos hasta que el cable quede sujeto con firmeza (aproximadamente 20 lb-in).



El cable, la posición y el aislamiento usado en las conexiones, etc., debe estar de acuerdo con buenas practicas de cableado y las reglamentaciones locales.

- C** Proceda al paso 8..

8 REINSTALE LA CUBIERTA DE LOS CABLES

Reinstale la cubierta de los cables al respaldo de la estufa colocando los dos tornillos que se quitaron con anterioridad. Asegúrese que no haya cables atrapados entre la tapa y el respaldo de la estufa.

Instrucciones de Instalación

INSTALE LA ESTUFA

9 INSTALACIÓN DE DISPOSITIVO ANTI-VOLCADURAS



⚠ ADVERTENCIA

Riesgo de Caída

- Un niño o adulto pueden volcar la cocina y morir.
- Instale el soporte anti-volcaduras sobre la pared o el piso.
- Adhiera la estufa al soporte anti-volcaduras, volviendo a deslizar la estufa de modo que el pie quede adherido.
- Vuelva a adherir el soporte anti-volcaduras si la estufa se mueve de lugar.
- Si esto no se hace, se podrá producir la muerte o quemaduras graves en niños o adultos.

Para reducir el riesgo de inclinar la cocina esta debe estar asegurada con un soporte anti volcaduras apropiadamente instalado. Lea las instrucciones de instalacion incluidas con el soporte para un detalle completo antes de comenzar la instalación.

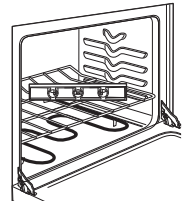
Para revisar si el soporte esta instalado y ajustado de manera apropiada, mire que debajo de la cocina el brazo anti volteo, ensamblado en el lateral, este ajustado al soporte. En algunos modelos el cajon de almacenamiento o el panel de protección se puede retirar para una inspeccion mas fácil. si no es posible realizar una inspección visual, deslice la cocina hacia adelante, confirme que el soporte anti-volcaduras esté ajustado de forma segura al piso o la pared, y deslice la cocina hacia atras de modo que el brazo anti volteo se deslice por debajo del soporte anti-volcaduras.

Si la cocina es expulsada de la pared por alguna razon, siempre repita este procedimiento a fin de verificar que esté asegurada de forma correcta con un soporte anti volcaduras.

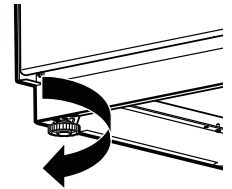
10 NIVELE LA ESTUFA

Para una apropiado horneado y cocinado, la estufa debe estar nivelada. las patas niveladoras estan localizadas en cada esquina de la base de la estufa.

- A** Instale las parrillas de horno (vea la sección de usando el horno) ponga un nivel o una taza llena de agua, en una de las parrillas del horno. si usa un nivel de gota, tome dos lecturas- con el nivel colocado diagonalmente primero en una dirección y luego en otra.



- B** Gire las patas niveladoras en el sentido de las manecillas del reloj para levantar la estufa y en sentido contrario de las manecillas del reloj para bajar la estufa. Ajuste la altura de las patas niveladoras hasta nivelar la estufa.



11 LISTA DE REVISION FINAL DE LA INSTALACION

- Revise que el circuito interruptor esté reestablecido o qué los fusibles se hayan reemplazado.
- Verifique qué haya corriente eléctrica suministrada al edificio.
- Asegúrese que todos los materiales de empaque y las cintas adhesivas han sido removidos. Esto incluye las cintas colocadas bajo el frente de perillas (si aplican), cintas adhesivas, amarres de cables, cartones y plástico protector adherido a las superficies metálicas. Si no se retiran estos materiales, pueden causar daño a la estufa una vez que sea encendida y las superficies se calienten.
- Verifique y asegure qué la puerta y el cajón sean paralelos uno respecto del otro. Y qué ambos operen suavemente. Si no es asi, refiérase al manual del Usuario para colocarlos adecuadamente.
- Verifique y asegure qué el dispositivo anti-volteo esté instalado apropiadamente y qué la estufa este enganchada para garantizar que no se voltee.

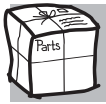
Antes de que llame para pedir servicio...



Consejos para resolver problemas

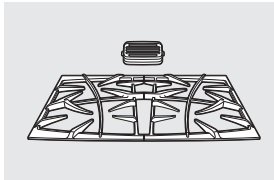
Ahorre tiempo y dinero! Revise los estatutos de las siguientes páginas primero y puede que no necesite llamar para pedir servicio.

Problema	Posible causa	Solución
Las resistencias eléctricas no funcionan apropiadamente	Las resistencias eléctricas no están bien conectadas	<ul style="list-style-type: none"> • Con las perillas apagadas revise que las resistencias eléctricas estén insertadas adecuadamente en el receptáculo
	Las perillas están colocadas inadecuadamente	<ul style="list-style-type: none"> • Revise qué la perilla esté colocada adecuadamente para la resistencia que intenta usar
	Las charolas para derrames no están bien colocadas en la estufa.	<ul style="list-style-type: none"> • Con las perillas apagadas, revise qué la charola para derrames esté en el hueco y que la apertura esté alineada con el receptáculo
El horno no funciona	Un fusible en su casa está quemado o el interruptor bajado	<ul style="list-style-type: none"> • Reemplace el fusible o cierre el interruptor nuevamente
	El cable no está bien conectado a la corriente eléctrica	<ul style="list-style-type: none"> • Asegúrese que el cable está conectado a un contacto aterrizado a tierra
	Los controles de horno no están ajustados correctamente	<ul style="list-style-type: none"> • Vea la sección de como usar el horno
La comida no se asa apropiadamente	Los controles de horno no están ajustados correctamente	<ul style="list-style-type: none"> • Los controles de horno no están ajustados correctamente
	Los controles de horno no están ajustados correctamente	<ul style="list-style-type: none"> • Vea la guía de Asado
	Sartén no apropiado para asar	<ul style="list-style-type: none"> • Use la tapa y charola asador con las que cuenta su estufa
	El papel aluminio usado en la charola para asar y en la rejilla, no ha sido bien colocado y cortado como se ha recomendado	<ul style="list-style-type: none"> • Vea la sección como usar el papel aluminio
La comida no se hornea o asa apropiadamente	Los controles de horno no están ajustados correctamente	<ul style="list-style-type: none"> • Vea la sección de usar el horno para asar o hornear
	Posición inapropiada de la parrilla o no está nivelada	<ul style="list-style-type: none"> • Vea la sección de usar el horno para asar o hornear
	No fue realizado el precalentamiento necesario	<ul style="list-style-type: none"> • Vea la sección de usar el horno para asar o hornear
	Sartén incorrecto o medida inapropiada esta siendo usada	<ul style="list-style-type: none"> • Vea la sección de usar el horno para asar o hornear

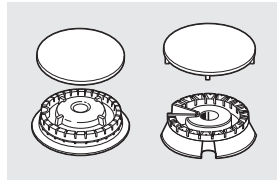


¿Desea algo más? (No todos los accesorios se encuentran disponibles para todos los modelos.)

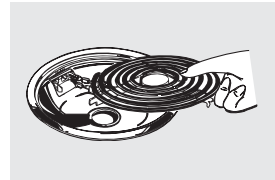
Usted puede encontrar estos accesorios y muchos más en **GEAppliances.com**, o llame al **800.626.2002** (en horario de trabajo normal). Tenga listo el número de modelo.



Rejillas



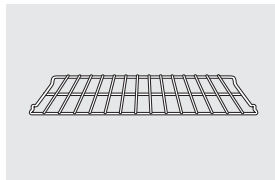
Cabezales o tapas de quemadores de superficie



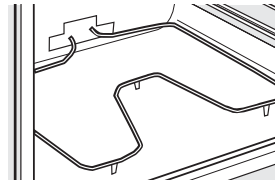
Elementos de superficie y bandejas colectoras



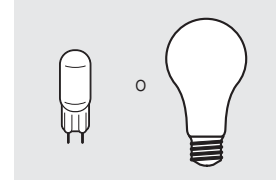
Perillas



Bandejas del horno



Elementos del horno



Bombillas de luz

¡Pruebe estos otros excelentes productos para que su cocina se vea estupenda!



Kit de limpieza de anafes vitrocerámicos: Incluye limpiador, rasqueta y paño
WX10X117GCS



Toallitas de limpieza de anafes vitrocerámicos
WX10X305



Toallitas para pulir artefactos de acero inoxidable
WX10X10001

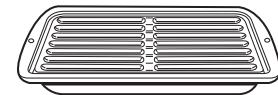


Limpiador de artefactos de acero inoxidable
PM10X311

¡Aproveche al máximo su bandeja para asar! (No para usar con modelos de cajón asador.)

¡Utilice su bandeja y tapa de rejilla para asar hamburguesas, frutos de mar, filetes, vegetales, panceta, costillas y mucho más! La bandeja inferior retiene el exceso de grasas y aceites.

- Pieza GE genuina
- Fácil de limpiar
- Garantía de un año



¡Oferta de tiempo limitado! ¡Envío sin cargo!

Cuando solicite la bandeja para asar dentro de los 30 días de haber adquirido su producto de cocina GE.

	Pequeña	Grande*	Extra grande**
Nº de pieza	WB48X10055	WB48X10056	WB48X10057
Dimensiones	8-3/4" A x 1-1/4" A x 13-1/2" P	12-3/4" A x 1-1/4" A x 15-1/4" P	15-1/2" A x 1-1/4" A x 19" P

* La bandeja para asar grande (estándar) no entra en cocinas de 20/24 pulgadas.

** La bandeja extra grande no entra en hornos de paredes de 24 pulgadas, empotradas de 27 pulgadas o cocinas de 20/24 pulgadas.

Llame al **800.626.2002** o utilice este formulario para enviar su solicitud por correo:
GE Parts, P.O. Box 221027, Memphis, TN 38122-1027.



Formulario de solicitud de la bandeja para asar

Cantidad _____ Número de pieza _____

Número de modelo _____ Número de serie _____ Marca _____ Fecha de compra _____

Nombre _____ Apellido _____

Dirección _____

Ciudad _____ Estado _____ Código Postal _____

Teléfono _____ Correo electrónico _____

Check _____ Giro postal _____

Para consultar sobre los precios actuales llame al 800.626.2002. Todas las órdenes con tarjeta de crédito se deberán realizar en forma telefónica.

Notas.

Notas.

Garantía de la Estufa Eléctrica



Todos los servicios de garantía los proporcionan nuestros Centros de Reparación de Fábrica o nuestros técnicos Customer Care® autorizados. Para concertar una cita de reparación, visítenos en línea en GEAppliances.com, o llame al 800.GE.CARES (800.432.2737). Cuando llame para solicitar servicio, por favor tenga a mano el número de serie y el número de modelo.

Pegue aquí su recibo.
Se requiere facilitar prueba de la fecha de compra original para obtener un servicio bajo la garantía.

Por el período de: **GE reemplazará:**

Un año

A partir de la fecha de la compra original

Cualquier parte del horno que falle debido a defectos en los materiales o en la fabricación. Durante este **garantía limitada de un año**, GE también proporciona, **sin costo alguno**, toda la mano de obra y los servicios internos para reemplazar partes defectuosas.

Lo que no está cubierto por GE:

- Viajes de servicio a su casa para enseñarle cómo usar el producto.
- Instalación, entrega o mantenimiento inapropiada.
- Daño o fallas del producto en caso de abuso, uso inadecuado, uso para otros propósitos que no sean el adecuado, o uso comercial.
- Reemplazo de fusibles de su casa o reajuste de interruptores de circuito.
- Daño al producto causado por accidente, fuego, inundaciones o actos de Dios.
- Daño incidental o consecuencial causado por posibles defectos con el aparato.
- Daño causado después de la entrega.
- Producto no accesible para facilitar el servicio requerido.

EXCLUSIÓN DE GARANTÍAS IMPLÍCITAS—Su único y exclusivo derecho es la reparación del producto, tal y como se indica en esta Garantía limitada. Cualquier garantía implícita, incluyendo las garantías implícitas de comerciabilidad o adecuación para un fin determinado, están limitadas a un año o el período de tiempo más breve permitido por la ley.

Esta garantía se extiende al comprador original y cualquier comprador posterior de productos comprados para uso residencial dentro de Estados Unidos. Si el producto está situado en un área que no dispone de servicio por parte de un proveedor de servicio autorizado de GE, podría tener que hacerse cargo de los costes de envío o bien podría solicitársele que lleve el producto a un centro de servicio de GE autorizado para realizar la reparación.

En Alaska, la garantía excluye el costo de envío o las visitas de servicio a su casa.

Algunos estados no permiten la exclusión o las limitaciones de daños incidentales o consecuenciales. Esta garantía da derechos legales específicos, y usted podría tener otros derechos que variarán de estado a estado. Para saber cuáles son sus derechos legales, consulte a la oficina de asuntos del consumidor local o la oficina del Procurador (Attorney General) en su localidad.

Garante: General Electric Company. Louisville, KY 40225

Ayuda al cliente.



Página Web de GE Appliances

GEAppliances.com

¿Tiene alguna pregunta sobre su electrodoméstico? ¡Pruebe la página Web de GE Appliances 24 horas al día, cualquier día del año! Para mayor conveniencia y servicio más rápido, ya puede descargar los Manuales de los Propietarios, pedir piezas o incluso hacer una cita en línea para que vengan a realizar una reparación.



Solicite una reparación

GEAppliances.com

El servicio de expertos GE está a tan sólo un paso de su puerta. ¡Entre en línea y solicite su reparación cuando le venga cualquier día del año! O llame al 800.GE.CARES (800.432.2737) durante horas normales de oficina.



Real Life Design Studio (Estudio de diseño para la vida real)

GEAppliances.com

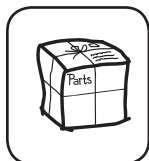
GE apoya el concepto de Diseño Universal—productos, servicios y ambientes que pueden usar gente de todas las edades, tamaños y capacidades. Reconocemos la necesidad de diseñar para una gran gama de habilidades y dificultades físicas y mentales. Para más detalles sobre las aplicaciones de GE Diseño Universal, incluyendo ideas de diseño para la cocina para personas con discapacidades, mire nuestra página Web hoy mismo. Para personas con dificultades auditivas, favor de llamar al 800.TDD.GEAC (800.833.4322). Para personas con dificultades auditivas, favor de llamar al 800.TDD.GEAC (800.833.4322).



Garantías ampliadas

GEAppliances.com

Compre una garantía ampliada y obtenga detalles sobre descuentos especiales disponibles mientras su garantía está aún activa. Puede comprarla en línea en cualquier momento, o llamar al (800.626.2224) durante horas normales de oficina. GE Consumer Home Services estará aún ahí cuando su garantía termine.

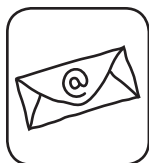


Piezas y accesorios

GEAppliances.com

Aquellos individuos con la calificación necesaria para reparar sus propios electrodomésticos pueden pedir que se les manden las piezas o accesorios directamente a sus hogares (aceptamos las tarjetas VISA, MasterCard y Discover). Haga su pedido en línea hoy, 24 horas cada día o llamar por teléfono al 800.626.2002 durante horas normales de oficina.

Las instrucciones descritas en este manual cubren los procedimientos a seguir por cualquier usuario. Cualquier otra reparación debería, por regla general, referirse a personal calificado autorizado. Debe ejercerse precaución ya que las reparaciones incorrectas pueden causar condiciones de funcionamiento inseguras.



Póngase en contacto con nosotros

GEAppliances.com

Si no está satisfecho con el servicio que recibe de GE, póngase en contacto con nosotros en nuestra página Web indicando todos los detalles así como su número de teléfono o escribanos a:

General Manager, Customer Relations
GE Appliances, Appliance Park
Louisville, KY 40225



Registre su electrodoméstico

GEAppliances.com

¡Registre su nuevo electrodoméstico en línea—cuando usted prefiera! El registrar su producto a tiempo le proporcionará, si surgiera la necesidad, una mejor comunicación y un servicio más rápido bajo los términos de su garantía. También puede enviar su tarjeta de registro pre-impresa que se incluye en el material de embalaje o recorte y use el formulario de este Manual del Propietario.