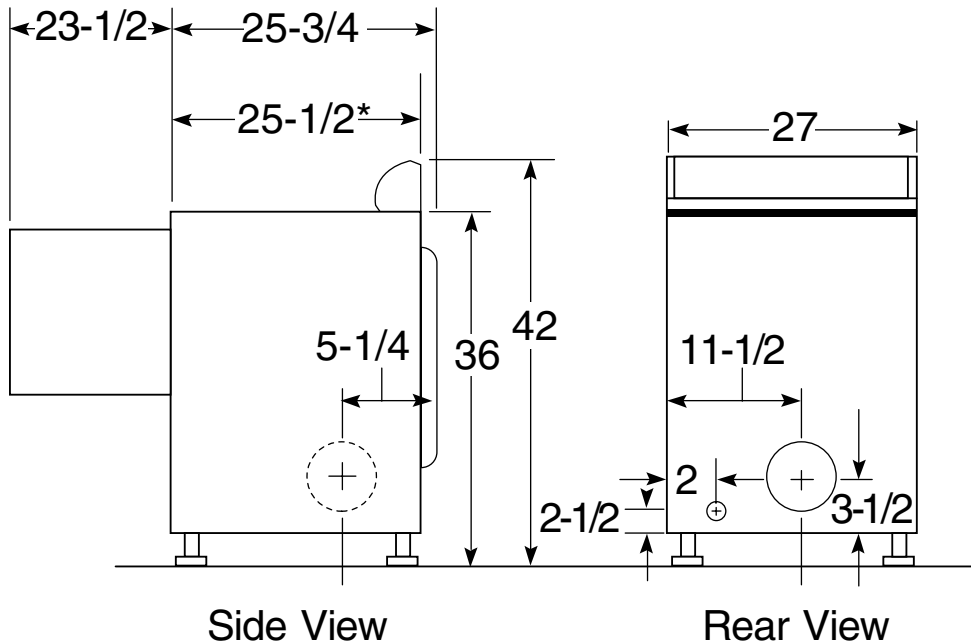


HOTPOINT®

HTDX100ED – Hotpoint® 6.0 cu. ft. capacity DuraDrum™ electric dryer

Dryer Dimensions (in inches)



*24-1/2" from the edge of the side panel to the front.
25-1/2" from front to edge of end caps.

Exhaust Options:

4-way via rear, right, left and bottom.

Circuit Requirements:

An individual, properly-grounded branch circuit, protected by a 30-amp circuit breaker or a time-delay fuse, is required.

Electric Dryer Rating:

240V, 5600W, 60Hz, 24 Amp

208V, 4400W, 60Hz, 22 Amp

Installation Information: For complete information, see installation instructions packed with product for current dimensional data.

Special Installation Requirements

Alcove or Closet Installation:

- If your dryer is approved for installation in an alcove or closet, it will be stated on a label on the dryer back.
- The dryer **MUST** be exhausted to the outside.
- Minimum clearances between dryer cabinet and adjacent walls or other surfaces are:
 - 0" either side
 - 3" front and rear
- Minimum vertical space from floor to overhead cabinets, ceilings, etc. is 52".
- Closet doors must be louvered or otherwise ventilated and must contain a minimum of 60 sq. in. of open area equally distributed. If this closet contains both a washer and a dryer, doors must contain a minimum of 120 sq. in. of open area equally distributed.
- No other fuel-burning appliance shall be installed in the same closet with a gas dryer.

Bathroom or Bedroom Installation:

- The dryer **MUST** be exhausted to the outdoors.
- The installation must conform with the local codes, or in the absence of local codes, with the National Electric Code and National Fuel Gas Code, ANSI Z223 for gas dryers.

Minimum Clearances other than Alcove or Closet Installation:

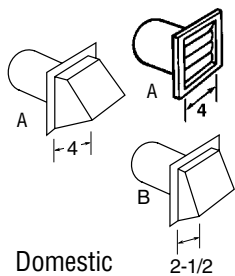
- Minimum clearances to combustible surfaces
 - 0" both sides
 - 3" rear



HOTPOINT®

HTDX100ED – Hotpoint® 6.0 cu. ft. capacity DuraDrum™ electric dryer

Dryer Exhausting Information – Use Metal Duct Only Vertical and Horizontal Ducting



Domestic Dryer Models	Number of 90° Turns	Best Performance	
		Maximum Length of 4"-Dia. Rigid Metal Duct	
		Exhaust Hood Type	
		A 4" Opening	B 2-1/2" Opening
6.0 and 5.8 cu. ft. Capacity Models all Electric Dryers	0	90 ft.	60 ft.
	1	60 ft.	45 ft.
	2	45 ft.	35 ft.
	3	35 ft.	25 ft.
	4	25 ft.	15 ft.
6.0 and 5.8 cu. ft. Capacity Models all Gas Dryers	0	90 ft.	60 ft.
	1	60 ft.	45 ft.
	2	45 ft.	35 ft.
	3	30 ft.	25 ft.
Portable/Stationary Models DSKS433EB DSKS333EC DSKP333EC WSM2780H	0	46 ft.	37 ft.
	1	38 ft.	30 ft.
	2	31 ft.	22 ft.
	3	24 ft.	15 ft.
	Unitized Model WSM2700H	0	56 ft.
1		46 ft.	36 ft.
2		34 ft.	28 ft.
3		32 ft.	18 ft.
Unitized Models WSM2420D WSM2480D	0	43 ft.	36 ft.
	1	33 ft.	26 ft.
	2	23 ft.	16 ft.

For complete information, see installation instructions packed with your dryer.

Ducting Materials:

For best performance, this dryer should be vented with 4" diameter all rigid metal exhaust duct. If rigid metal duct cannot be used, then UL-listed flexible metal (semi-rigid) ducting can be used (Kit WX08X10077). In special installations, it may be necessary to connect the dryer to the house vent using a flexible metal (foil-type) duct. A UL-listed flexible metal (foil-type) duct may be used ONLY in installations where rigid metal or flexible metal (semi-rigid) ducting cannot be used AND where a 4" diameter can be maintained throughout the entire length of the transition duct. Please see installation instruction packed with your dryer for complete instructions when using flexible metal (foil type) ducting.

Exhaust Length Calculation:

1. Determine the number of 90° turns needed for your installation. If you exhaust to the side or bottom of dryer, add one turn.
2. The maximum length of 4" rigid (aluminum or galvanized) duct which can be tolerated is shown in the table.
A turn of 45° or less may be ignored. Two 45° turns within the duct length should be treated as a 90° elbow. A turn over 45° should be treated as a 90° elbow.

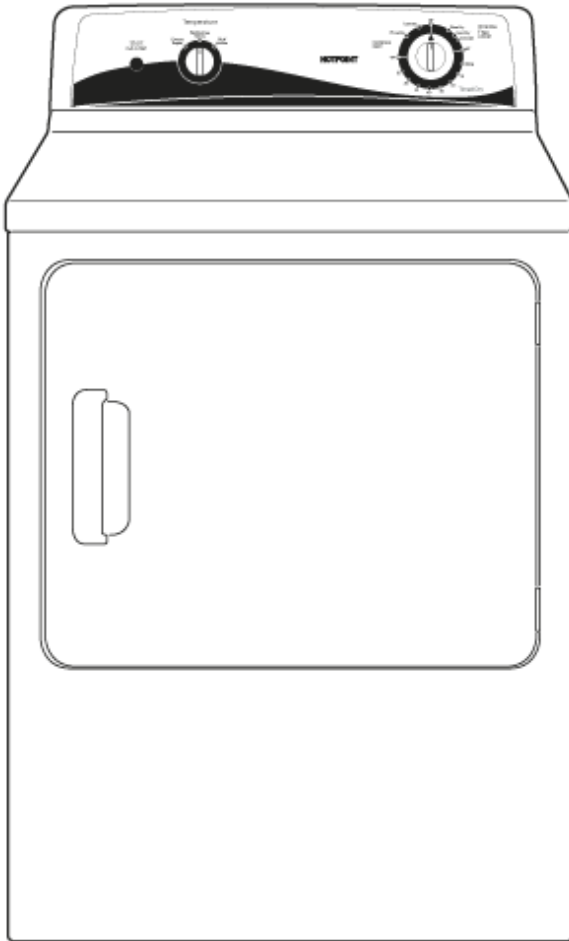
Dryers **must** be exhausted to the outside.

Caution: For personal safety do not terminate exhaust into a chimney, under any enclosed house floor (crawl space), or into an attic, since the accumulated lint could create a fire hazard or moisture could cause damage. Never terminate the exhaust into a common duct or plenum with a kitchen exhaust, since the combination of lint and grease could create a fire hazard.

Exhaust ducts should be terminated in a dampered wall cap to prevent back drafts, bird nesting, etc. The wall cap must also be located at least 12" above the ground or any other obstruction with the opening pointed down.

HOTPOINT®

HTDX100ED – Hotpoint® 6.0 cu. ft. capacity DuraDrum™ electric dryer



Features and Benefits

- DuraDrum interior provides long-lasting dependability
- Reverse-a-door—dryer door opening can be reversed to meet laundry room needs
- Auto Dry monitors air temperature to set dry times
- Upfront lint filter makes cleaning out lint easy
- 3 heat selections provide the right temperatures for your clothes-drying needs
- 4 dry cycles—additional cycles for your clothes-drying needs
- Model HTDX100EDWW – White on white