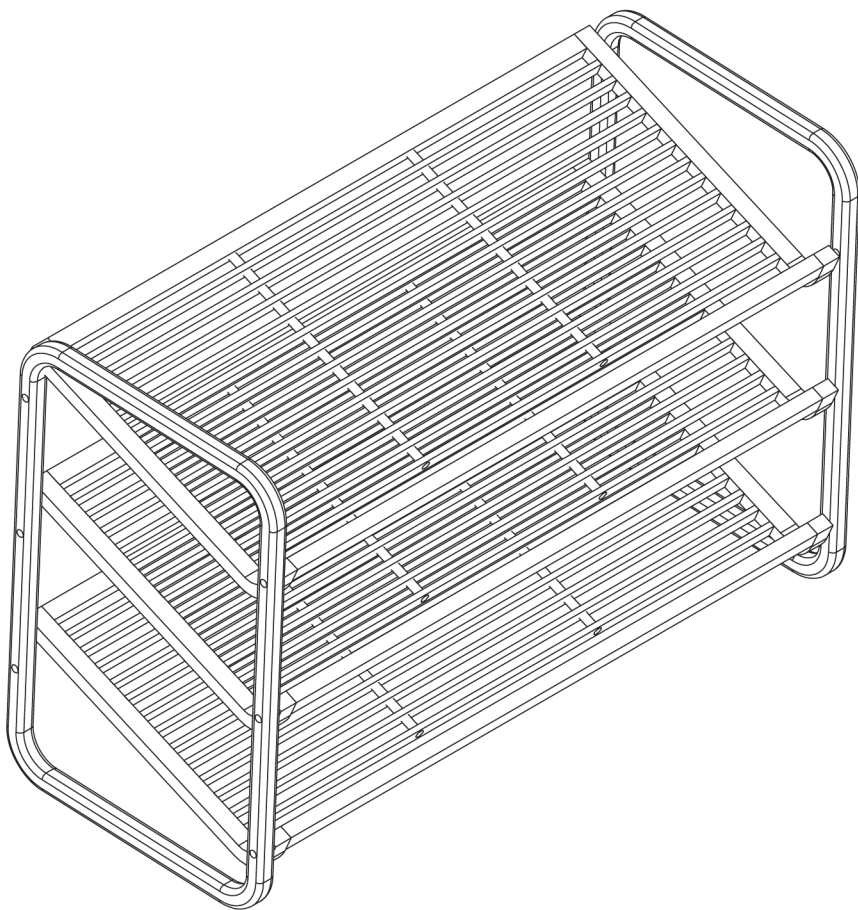




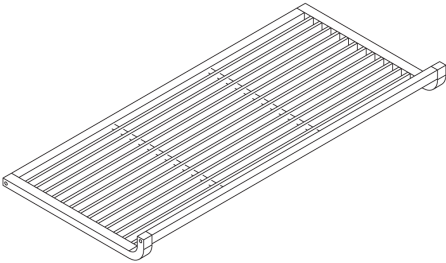
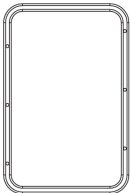

SHO-01599

## 3-tier deluxe bamboo shoe shelf

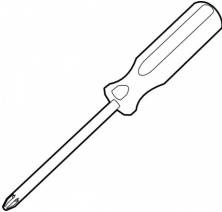


**30 in W x 13 in D x 20 in H (76.2 cm x 33 cm x 50.8 cm)**

# PARTS LIST

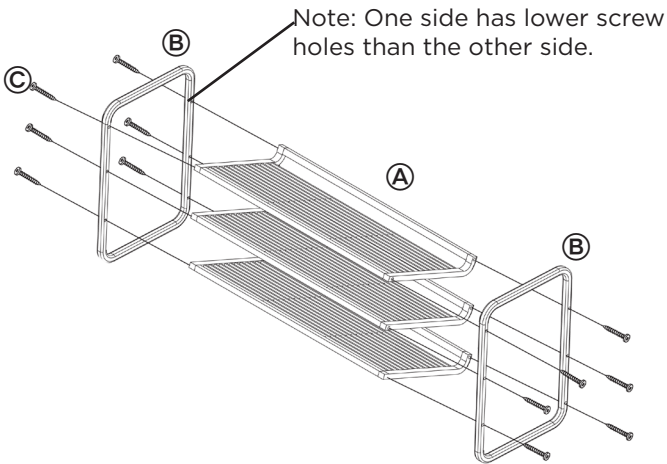
PART/ILLUSTRATION	(QTY)	DESCRIPTION
A 	(3)	wooden shelves
B 	(2)	side panels
C 	(12)	phillips head screws

# TOOL NEEDED

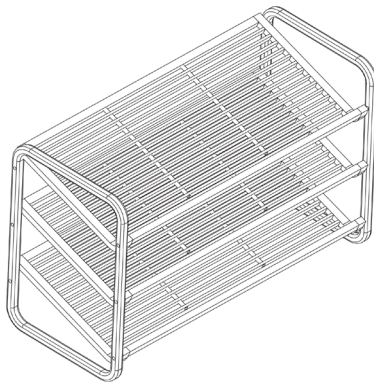
PART/ILLUSTRATION	DESCRIPTION
A 	phillips head screw driver

# ASSEMBLY

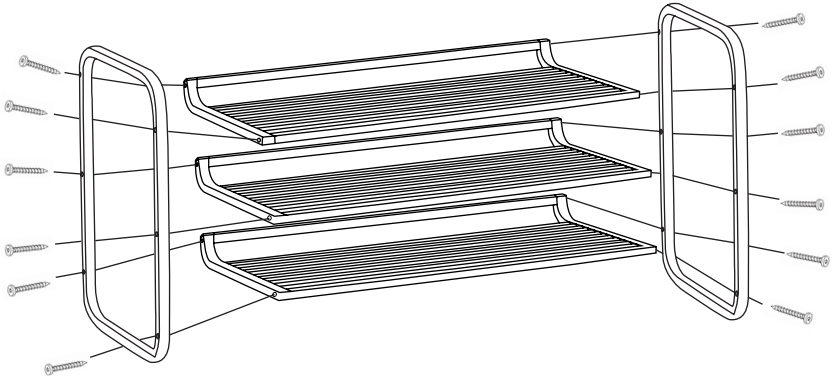
**Two different assemblies:** The shelves are slanted slightly forward and incorporate a front edge lip. One can also reverse the shelves during assembly for a flat surface. The first assembly shows shelves slightly slanted, while the second assembly shows shelves flat. You may mix shelf directions to customize your unit.



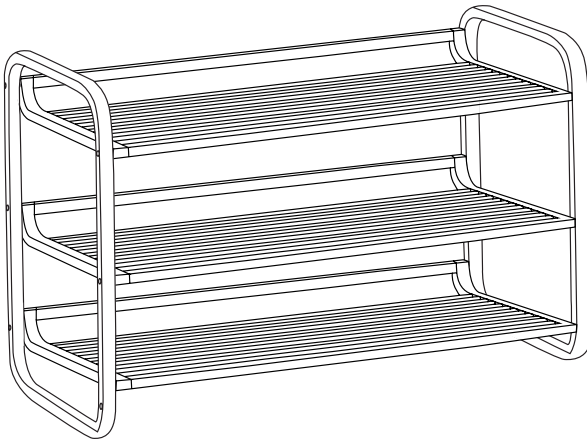
Align everything as shown above. In order for shelves to be slanted, the curved lip needs to be attached to the side with the lower screw holes. Use a hex wrench to tighten each of the 12 hex head screws into place.



**Alternate assembly:** This assembly shows shelves flat. In order for shelves to be flat, the curved lip needs to be attached to the side with the higher screw holes.



Align everything as shown above. Use a hex wrench to tighten each of the 12 hex head screws into place.



#### LIMITED LIFETIME WARRANTY

Honey-Can-Do International, LLC (HCD) warrants its products will be free from defects in materials and workmanship when used for normal personal or household use, except as provided below. HCD, at its option, may offer a comparable product or offer a replacement part or request that the item be returned to the place of purchase. This warranty DOES NOT apply to damage caused by negligence, misuse, excessive use, improper cleaning, improper assembly, or any circumstances not directly attributable to manufacturing defects. Proof of purchase is required in the form of a receipt (copy or original) to validate warranty. HCD provides this limited lifetime warranty in lieu of all other warranties either express or implied. In no event shall HCD, its affiliates, or subsidiaries be responsible for consequential or incidental damages arising out of a claim of defective product. Some states or provinces do not allow some exclusions or limitations, so the above statement may not apply to you. This warranty gives you specific legal rights, and you may also have other rights, which vary by state or province.