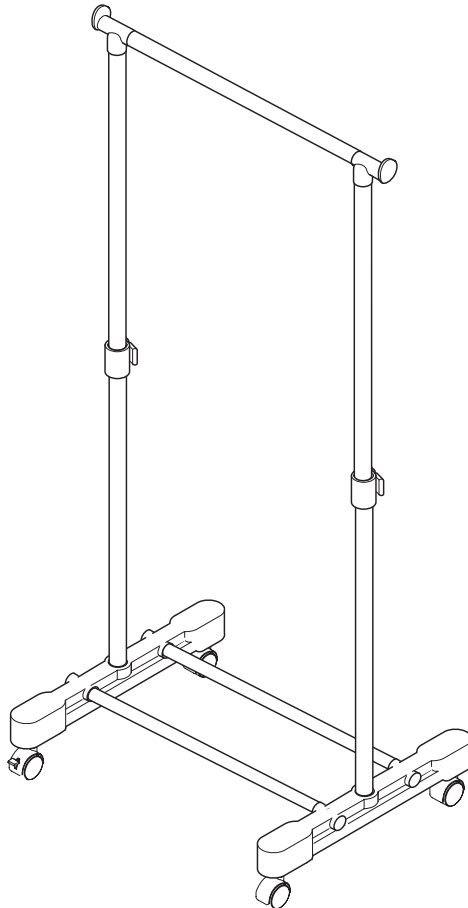








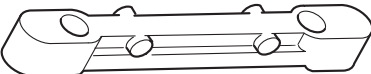


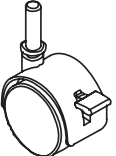
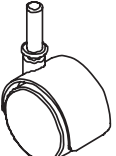
GAR-01122

adjustable height  
**garment rack**



**33.1 in L x 16.7 in W x 65.75 in H (84.1 cm L x 42.4 cm W x 167 cm H)**

# PARTS LIST

PART/ILLUSTRATION	(QTY) DESCRIPTION
<b>A</b> 	(2) support bar
<b>B</b> 	(2) bottom upright
<b>C</b> 	(2) top upright
<b>D</b> 	(1) hanger bar
<b>E</b> 	(2) base
<b>F</b> 	(2) top connector
<b>G</b> 	(2) support bar
<b>H</b> 	(2) locking wheel
<b>I</b> 	(2) wheel



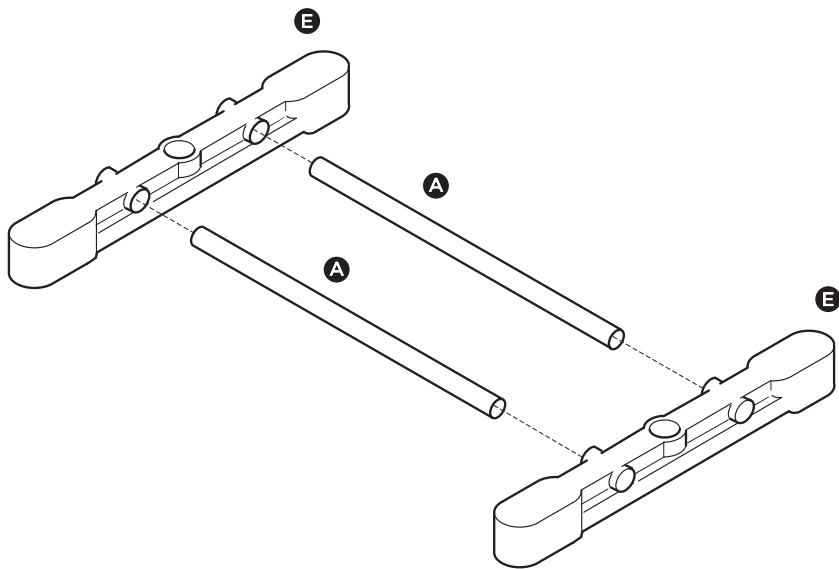
### Thank you for purchasing a Honey-Can-Do Garment Rack

Please follow these step by step instructions carefully. Plan to spend about 15 minutes assembling your new garment rack. For assistance, please contact us at [info@honeycando.com](mailto:info@honeycando.com) or 877.2.i.Can.Do.

**IMPORTANT! Please read prior to use.** This Honey-Can-Do garment rack is designed for indoor use. Please do not over-load. Please do not use garment rack for anything other than its intended use. Please do not allow children, spouses or pets to hang from or ride on garment rack. Please keep away from heat sources such as heaters and fireplaces.

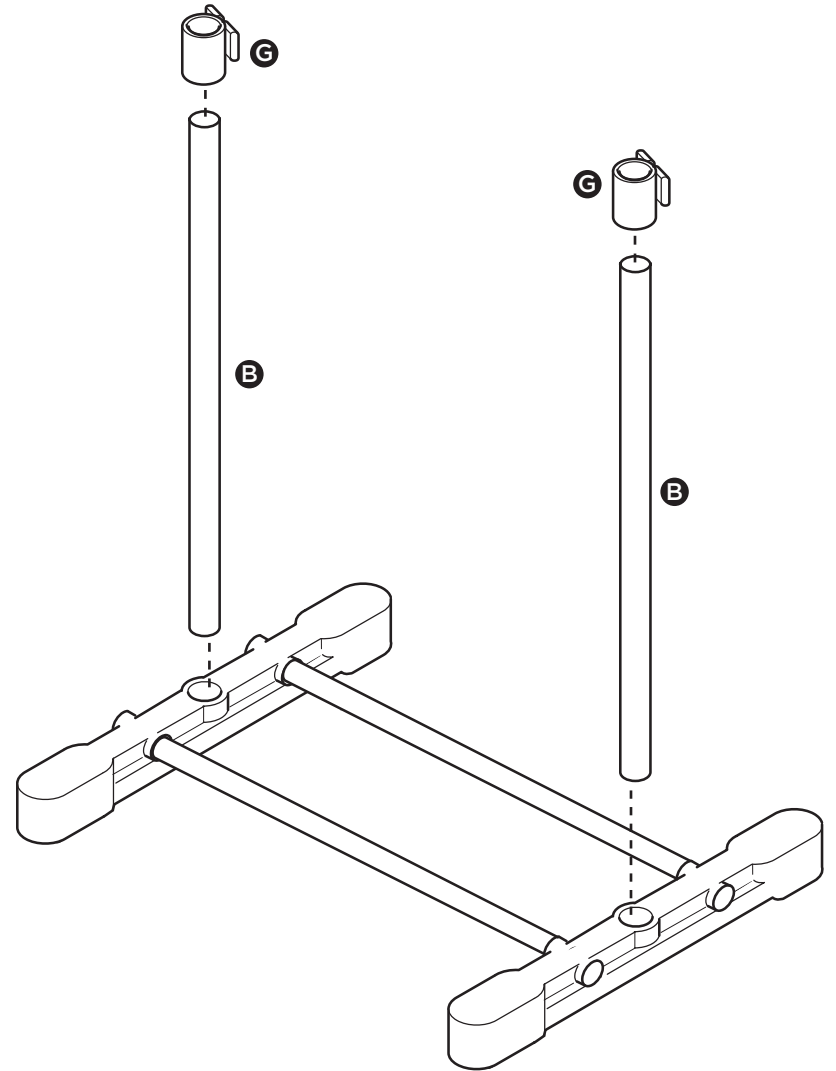
# ASSEMBLY

## STEP 1



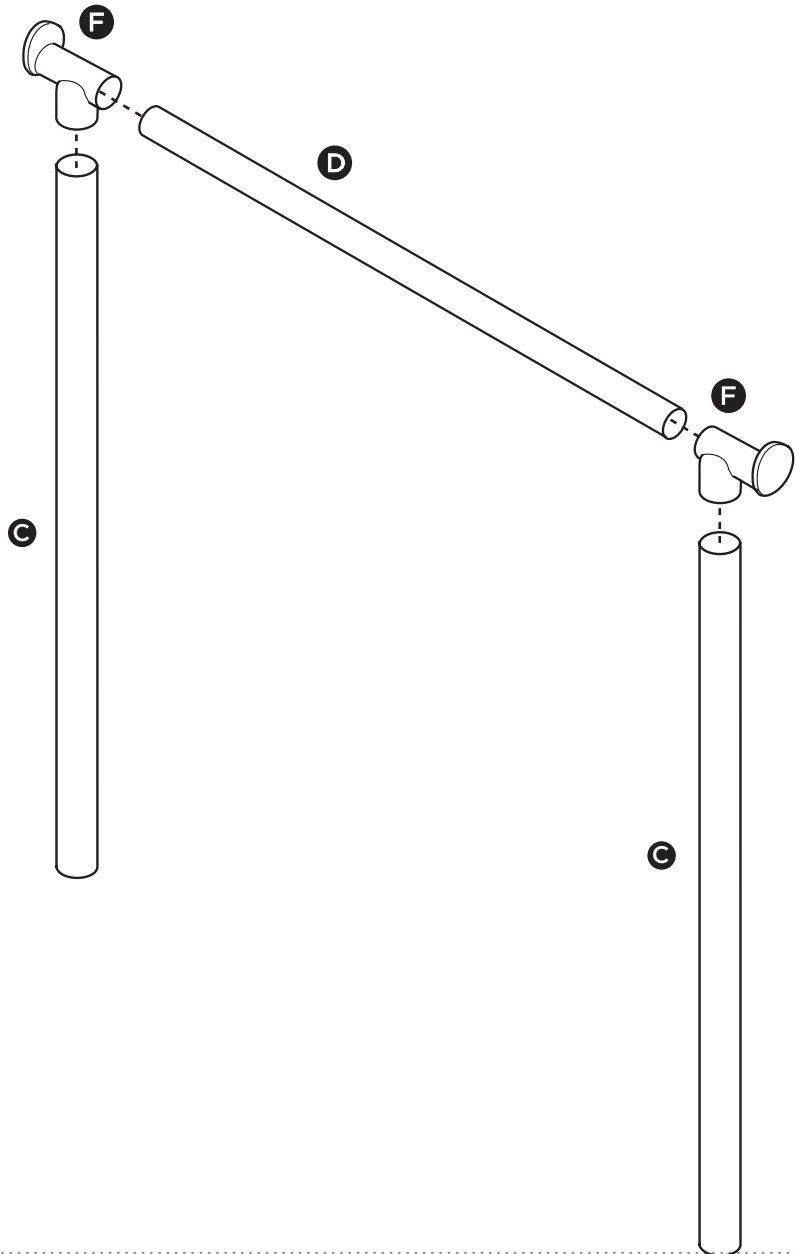
# ASSEMBLY

## STEP 2



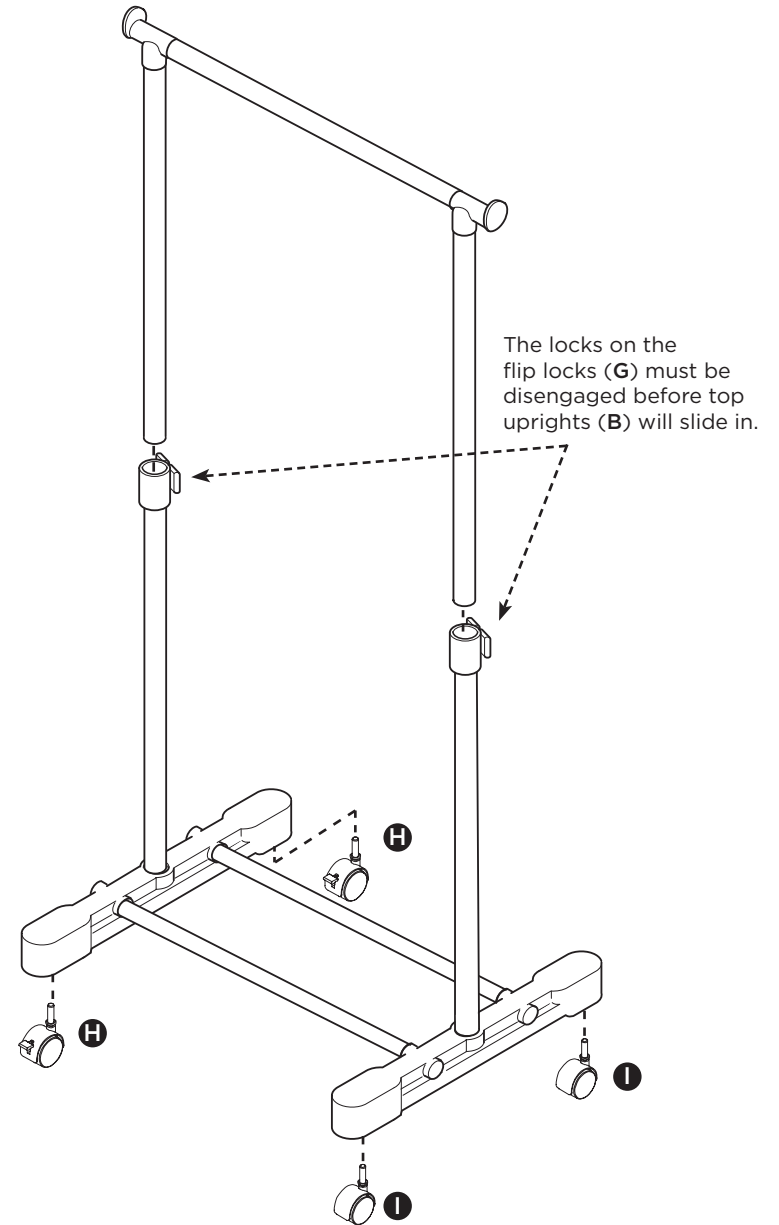
# ASSEMBLY

## STEP 3



# ASSEMBLY

## STEP 4





YOUR SOURCE FOR  
ORGANIZATION,  
STORAGE & STYLE

**Honey-Can-Do International**

5750 McDermott Drive, Berkeley, IL 60163 USA

877.242.2636 | [www.honeycando.com](http://www.honeycando.com)

©2011 Honey-Can-Do International, LLC | All Rights Reserved

110805