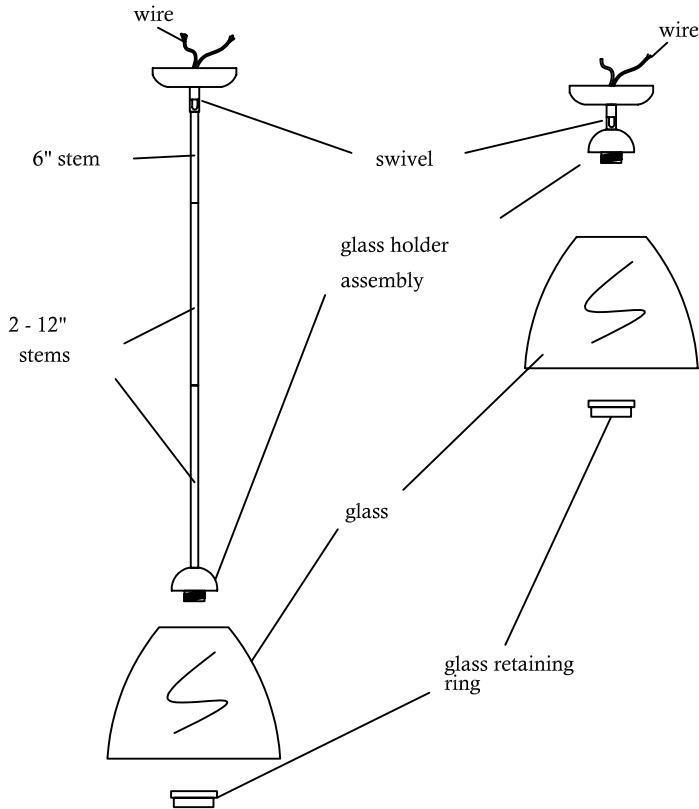


Mini Pendant Fixture Assembly Instructions

style 1

style 2



NOTE: Mini pendants can be hung in two different styles.

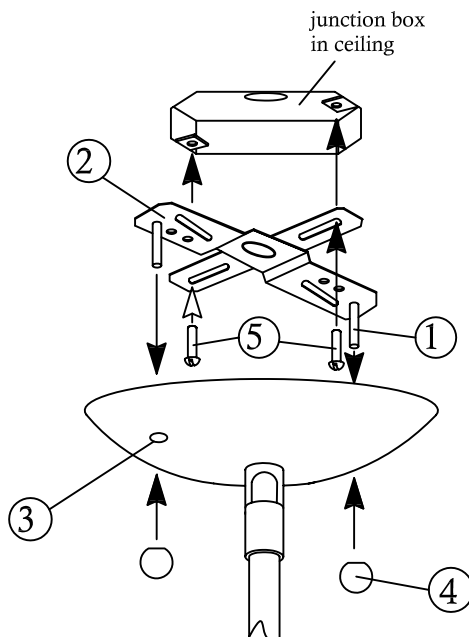
Style 1 Instructions

1. First determine the desired pendant length you will require.
2. The fixture is supplied with 1-6" stem and 2- 12" stems. Determine what combination of stems would get the pendant closest to the desired length.
3. Slip stems over wire. Thread first stem onto glass holder. Then proceed to thread stems together.
4. Slip wire through center of canopy swivel and thread onto stem assembly.
5. Fixture is ready for mounting to ceiling. Follow instruction below.
6. Attach glass to fixture by slipping glass over threaded socket and threading on glass retaining ring.

Style 2 Instructions

1. Slip wire from glass holder assembly through center hole of canopy swivel.
2. Thread glass holder assembly to swivel.
3. Fixture is ready for mounting to ceiling. Follow instruction provided.
4. Attach glass to fixture by slipping glass over threaded socket and threading on glass retaining ring.

Mounting Instructions



1. Shut current off before starting. If the fixture you are replacing is turned on and off by a wall switch, simply turn the switch off. If not, remove the appropriate fuse or open the circuit breaker. Do Not restore current until the new fixture is completely wired and in place.
2. Thread 2 long 8-32 (1) screws provided, into the mounting strap (2). (Note: The 2 screws should be threaded into the qull wing shaped part of the mounting strap. With the flat part of strap facing up.) Make sure screws are threaded into holes that line up with the holes in the canopy (3).
3. Attach mounting strap to junction box with 2 short 8-32 screws (5) provided.
4. Make wire connection following instruction sheet I.S.18 on back of these instructions.
5. Slip canopy/fixture over screws (1) and secure fixture with ball knobs (4).



I.S. 18

Wiring & Grounding Instructions

SAFETY WARNING: Read wiring and grounding instructions and any additional installation directions. Turn power supply off during installation. If new wiring is required, consult a qualified electrician or local authority for code requirements.

WIRING INSTRUCTIONS (INDOOR FIXTURES): Connect positive supply wire (black or red) to positive fixture lead with appropriately sized twist-on connector. Connect negative (white) supply wire to negative fixture lead.

WIRING INSTRUCTIONS (OUTDOOR FIXTURES): Connect positive supply wire (black or red) to positive fixture lead with appropriately sized twist-on connector. Connect negative (white) supply wire to negative fixture lead. Cover open end of connectors with silicone sealant to form a watertight seal. If installing a wall-mount fixture, use caulk to seal gaps, between the fixture mounting plate (backplate) and the wall. This will help prevent water from entering the outlet box. If the wall surface is lap siding, use caulk and a fixture mounting platform specially designed for lap siding.

IDENTIFICATION OF FIXTURE LEADS:

POSITIVE: Black, or with woven plain cloth cover or smooth and unmarked side of two-conductor cord.

NEGATIVE: White, or with woven cloth cover with tracer, or with ribbed or printed side of two conductor cord.

GROUNDING INSTRUCTIONS:

FOR FLUSH-MOUNT FIXTURES: For positive grounding in a 3-wire electrical system, fasten the system ground to the fixture mounting strap with the green ground screw. Note: On straps for screw supported fixtures, first install the two mounting screws in strap. Any remaining tapped hole may be used for the ground screw.

FOR CHAIN HUNG FIXTURES: Loop fixture ground wire under the head of the ground screw on mounting strap, and connect the loose end of the fixture ground wire directly to the ground wire of the building system, with appropriately sized twist-on connectors.

FOR POST - MOUNT FIXTURES: Connect fixture ground to power supply ground with appropriately sized twist-on connector inside post. Cover open end of connector with silicone sealant to form a watertight seal.

WIRING DIAGRAMS:

