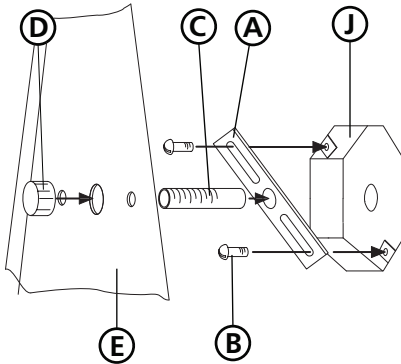
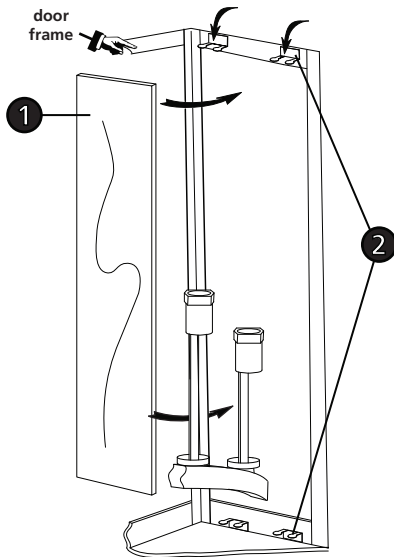


## Drawing 1 - Fixture Mounting



## Drawing 2 - Glass Installation



## ▼ start here

(page 1)

1

1. Find a clear area in which you can work.
2. Unpack fixture and glass from carton.
3. Carefully review instructions prior to assembly.

**\*\*\* fixture will be accomplished by first, installing mounting hardware, making all necessary electrical connections, mounting fixture to wall, installing the mirror and candle sleeves, installing the glass, and then attaching the door.**

1. Prepare mounting strap (A) by threading nipple into the center hole of the mounting strap (A), approximately 1/4" - see **Drawing 1**.
2. Attach mounting strap (A) to junction box (J) using two screws (C) provided.

2

**SAFETY WARNING: READ WIRING AND GROUNDING INSTRUCTIONS (I.S. 18) AND ANY ADDITIONAL DIRECTIONS. TURN POWER SUPPLY OFF DURING INSTALLATION. IF NEW WIRING IS REQUIRED, CONSULT A QUALIFIED ELECTRICIAN OR LOCAL AUTHORITIES FOR CODE REQUIREMENTS.**

3

Make electrical connections from supply wire to fixture lead wires. Refer to instruction sheet (I.S. 18) and follow all instructions to make all necessary wiring connections. Then refer back to this sheet to continue installation of this fixture.

4

1. To mount fixture, slip center hole of backplate (E) over nipple (C) and hold fixture in position - see **Drawing 1**.
2. Thread decorative knob (D) onto end of nipple (C) and tighten to secure fixture.

1. After mounting fixture to wall, install the side panels of glass (1) by sliding them through the front door frame, and placing them between the glass clips (2) and against the fixture frame - see **Drawing 2**.

2. Fold glass clips (2) up against glass to secure glass in fixture.

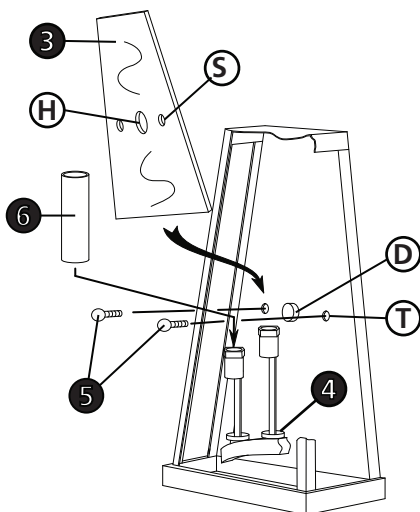
3. Proceed to page 2 of instruction sheets to complete fixture assembly.

01.01.13

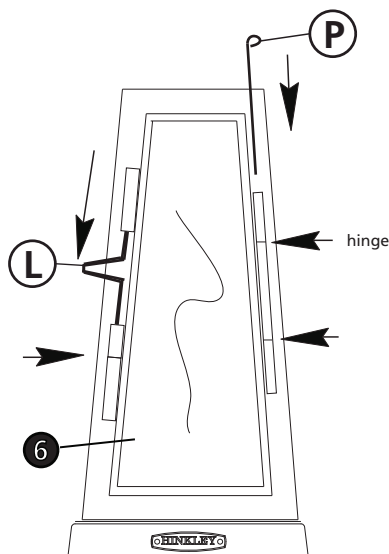
Item No. 2070 / 2074 / 2075



## ▼ start here



Drawing 4 - Door detail



1

1. Find a clear area in which you can work.
2. Unpack fixture and glass from carton.
3. Carefully review instructions prior to assembly.

**\*\*\* fixture will be accomplished by first, installing mounting hardware, making all necessary electrical connections, mounting fixture to wall, installing the mirror and candle sleeves, installing the glass, and then attaching the door.**

2

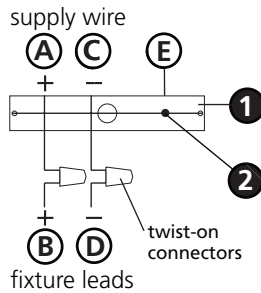
1. After fixture is properly mounted to wall, slipped mirrored reflector (3) through the door frame and behind the socket assembly (4) - see **Drawing 3**.
2. Slip center hole (H) in mirrored reflector (3) over mounting knob (D), and line up secondary holes (S) in mirrored reflector (3) with threaded holes (T) in back panel of fixture.
3. Thread ball knob with stud (5) into hole (T) in back panel of fixture to secure mirrored reflector (3). **DO NOT** use a tool to tighten part (5), over tightening could cause reflector damage.
4. Slip candle sleeve (6) over socket.
5. Fixture can be lamped accordingly at this time.

3

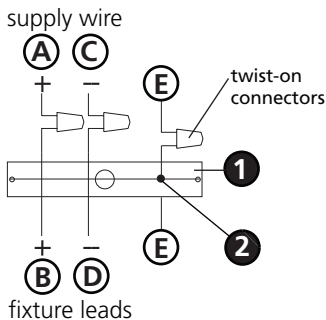
1. To complete fixture assembly it is necessary to attach the door (6) to the fixture.
2. Slip pin (P) out of door assembly (6) - see **Drawing 4**.
3. Place door on front of fixture and align door hinge and slip pin (P) back into place to attach door.
4. Latch (L) can be slipped into lower part of latch on cage to lock door (6) shut.
5. Fixture assembly is completed and power can be restored.

01.01.13

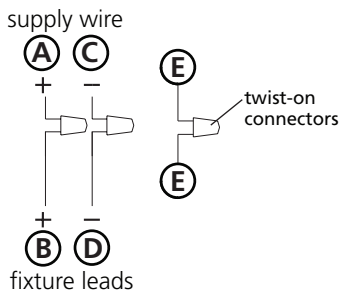
## Drawing 1 - Flush Mount



## Drawing 2 - Chain Hung



## Drawing 3 - Post-Mount



**SAFETY WARNING: READ WIRING AND GROUNDING INSTRUCTIONS (I.S. 18) AND ANY ADDITIONAL DIRECTIONS. TURN POWER SUPPLY OFF DURING INSTALLATION. IF NEW WIRING IS REQUIRED, CONSULT A QUALIFIED ELECTRICIAN OR LOCAL AUTHORITIES FOR CODE REQUIREMENTS.**

## wiring instructions

### Indoor Fixtures

1. Connect positive supply wire **(A)** (typically black or the smooth, unmarked side of the two-conductor cord) to positive fixture lead **(B)** with appropriately sized twist on connector - see **Drawings 1 or 2**.
2. Connect negative supply wire **(C)** (typically white or the ribbed, marked side of the two-conductor cord) to negative fixture lead **(D)**.
3. Please refer to the **grounding instructions** below to complete all electrical connections.

### Outdoor Fixtures

1. Connect positive supply wire **(A)** (typically black or the smooth unmarked side of the two-conductor cord) to positive fixture lead **(B)** with appropriately sized twist on connector - see **Drawings 2 or 3**.
2. Connect negative supply wire **(C)** (typically white or the ribbed, marked side of the two-conductor cord) to negative fixture lead **(D)**.
3. Cover open end of connectors with silicone sealant to form a watertight seal.
  - If installing a wall mount fixture, use caulk to seal gaps between the fixture mounting plate (backplate) and the wall. This will help prevent water from entering the outlet box. If the wall surface is lap siding, use caulk and a fixture mounting platform specially.
4. Please refer to the **grounding instructions** below to complete all electrical connections.

## grounding instructions

### Flush Mount Fixtures

For positive grounding in a 3-wire electrical system, fasten the fixture ground wire **(E)** (typically copper or green plastic coated) to the fixture mounting strap **(1)** with the ground screw **(2)** - see **Drawing 1**.

Note: On straps for screw supported fixtures, first install the two mounting screws in strap. Any remaining tapped hole may be used for the ground screw.

### Chain Hung Fixtures

Loop fixture ground wire **(E)** (typically copper or green plastic coated) under the head of the ground screw **(2)** on fixture mounting strap **(1)** and connect to the loose end of the fixture ground wire directly to the ground wire of the building system with appropriately sized twist-on connectors - see **Drawing 2**.

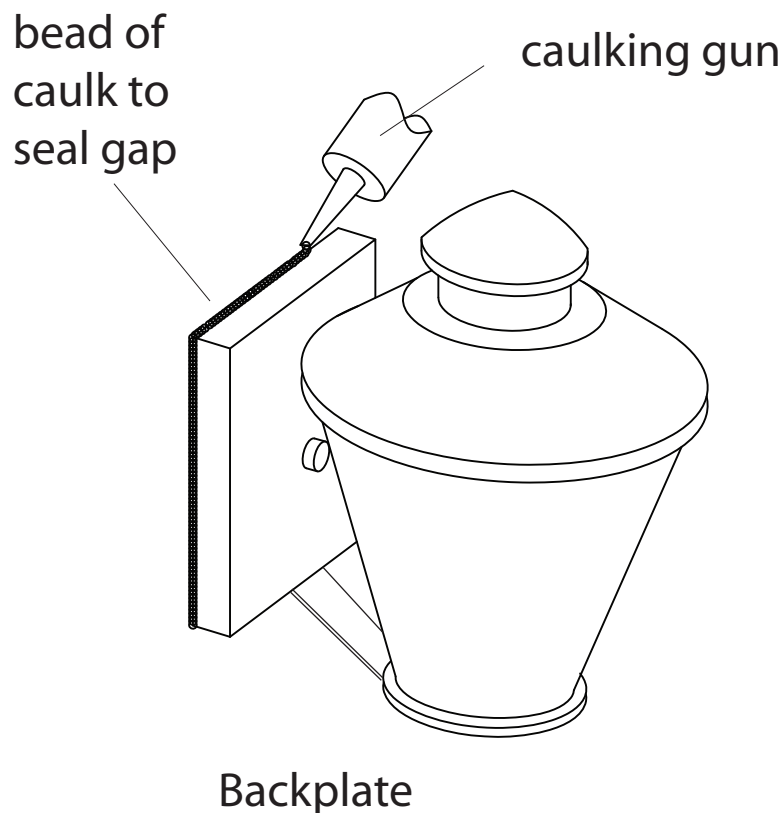
### Post-Mount Fixtures

Connect fixture ground wire **(E)** (typically copper or green plastic coated) to power supply ground with appropriately sized twist-on connector inside post. Cover open end of connector with silicone sealant to form a watertight seal - see **Drawing 3**.

## ▼ start here

---

1. After securing fixture to the wall it is recommended that the gap between the wall and fixture backplate be sealed with any good quality waterproof caulk or silicone sealant. (NOT INCLUDED) See Drawing 1.



Drawing 1