

# Assembly Instructions for 1942

- 1) Remove cage (2) from roof assembly (1) by unscrewing decorative knob (7). Cage can now be slipped off of roof assembly.
- 2) Locate nipple (3) and thread it into coupler (C) approximately  $\frac{3}{8}$ ". Now take hex nut (D) and thread it down onto coupler (C) to lock nipple (3) in place.
- 3) Now slip roof cap (4) along wire and place on roof. Then slide loop (5) along wire and thread onto exposed end of nipple (3).
- 4) Slip candle sleeves (5) over the sockets (A).

Note: glass can be installed in cage at this time. Please see glass installation below. After installation of glass return to this portion of instruction sheet.

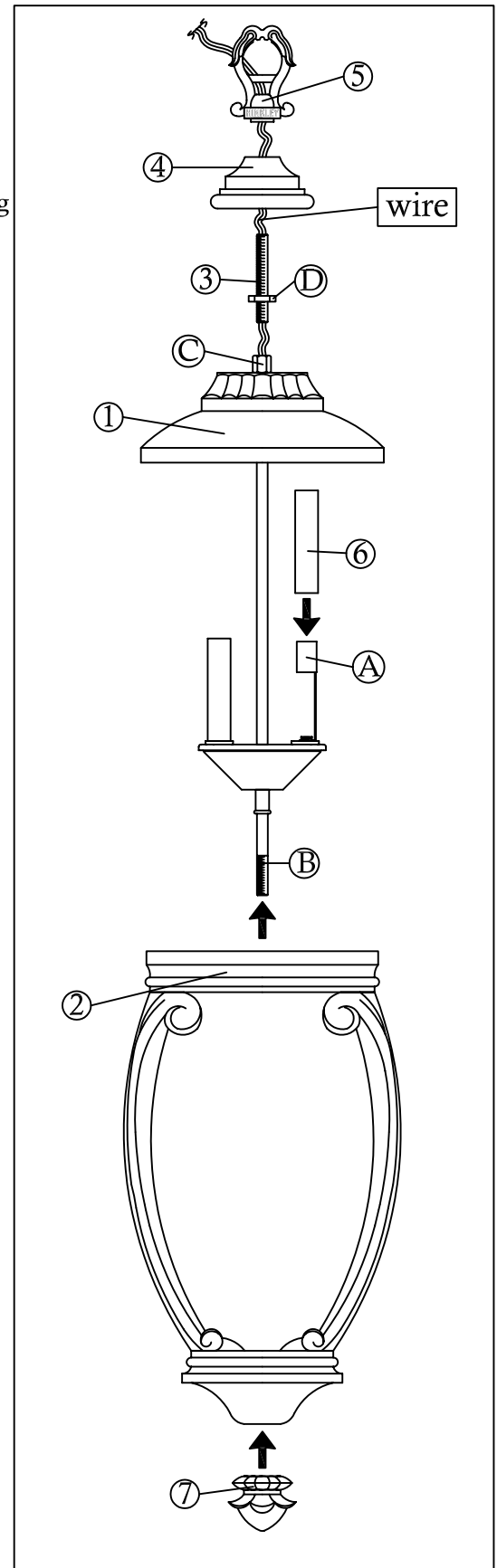
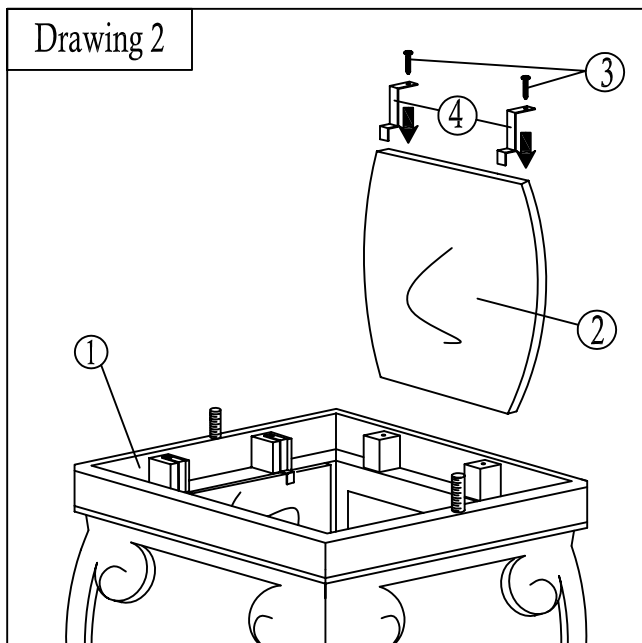
- 5) Fixture can be lamped at this point. Note: maximum allowable wattage for this fixture is 40 watts per bulb.

- 6) Cage (2) can be attached to roof assembly (1) by sliding cage over nipple (B) and then threading on decorative knob (6) until cage (2) is snug.

## Glass Installation

NOTE: Use Drawing 2 as a reference

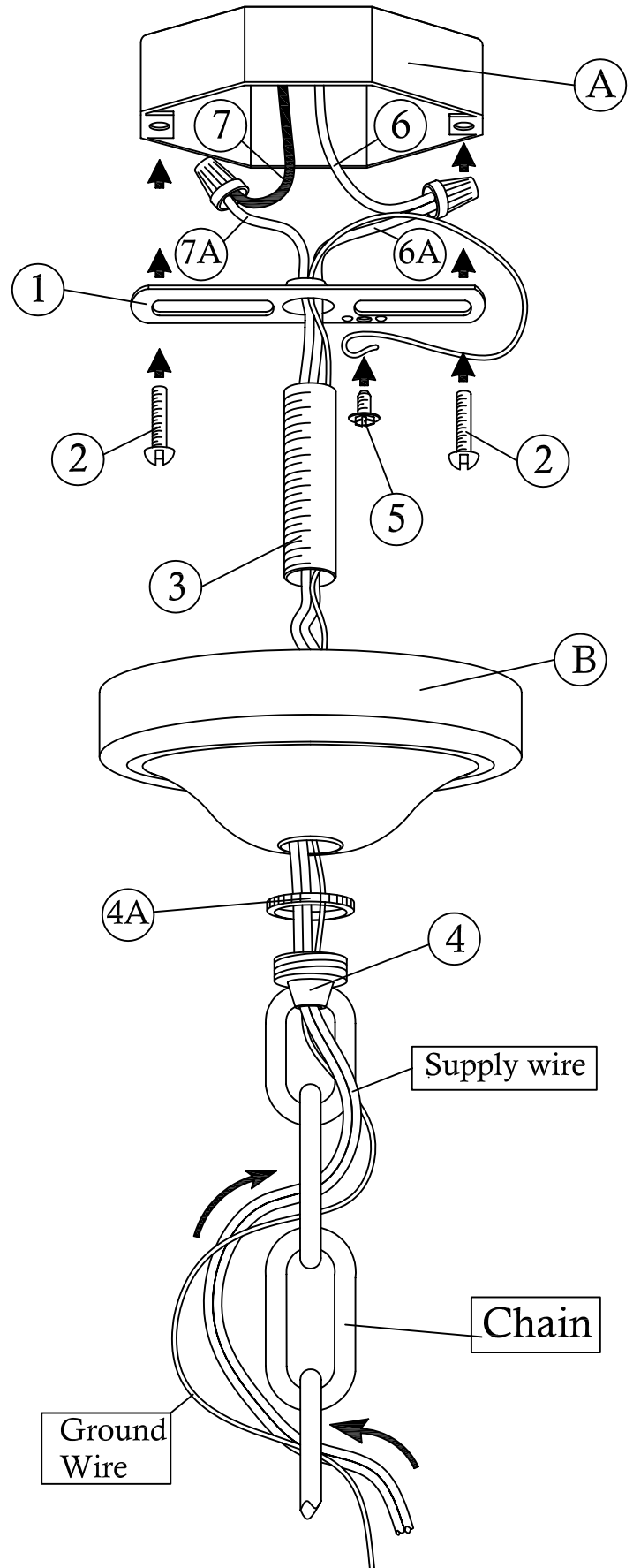
- 1) Unwarp glass panels (2) and taking main cage assembly (1), remove screws (3) which retain the glass clips (4) in place. Slide glass panels (2) into cage, making sure bottom of glass is in front of tab in bottom of cage.
- 2) Replace glass clips (4) using screws (3) that were removed earlier.



# Mounting Instructions for 1942 FZ

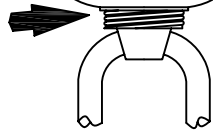
## Mounting instructions

1. Shut current off before starting. If the fixture you are replacing is turned on and off by a wall switch, simply turn the switch off. If not, remove the appropriate fuse (or open the circuit breakers) until the fixture is dead. Do not restore current - either by fuse, breaker or switch - until the new fixture is completely wired and in place.
2. Fasten mounting strap (1) to outlet box (A) with the original outlet box screws (2).
3. Thread nipple (3) in to the mounting strap (1), as illustrated.
4. Thread loop (4) on to end of nipple (3).
5. Slip canopy (B) over loop (4) and adjust height of loop so half of thread area is exposed. (see Drawing 3 below)
6. Taking the chain, determine the length you require, and attach one end of the chain to the fixture. Now slip loop collar (4A) and canopy (B) onto chain.
7. Now attach other end of chain to loop (4). Please get assistance during this step. Since fixture may be heavy and difficult to hold while attaching chain.
8. Unwrap supply wire and ground wire and weave them up through the chain. Then slip supply wire and ground wire through center of loop (4).
9. Connect ground wire to mounting strap (1) using green ground screw (5).
10. Now connect outlet box wires to fixture leads. Important: connect white outlet box wire (6) to ribbed or white fixture lead (6A). Then connect black or red outlet box wire (7) to smooth or black fixture lead (7A).
11. Slip canopy up firmly against the ceiling, and secure by turning the threaded collar (4A) on loop (4) until tight.

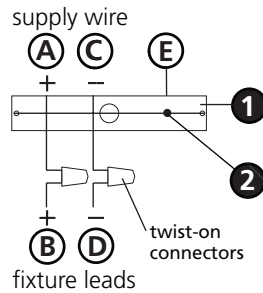


**Drawing 3**

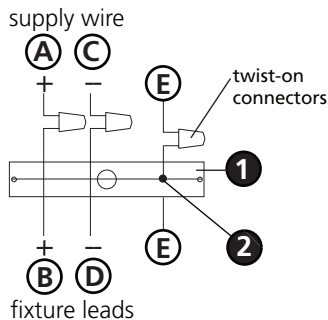
half of thread area of loop (4) is to be exposed. This will allow collar (4A) to be threaded on later.



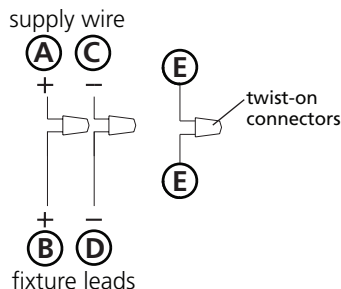
## Drawing 1 - Flush Mount



## Drawing 2 - Chain Hung



## Drawing 3 - Post-Mount



**SAFETY WARNING: READ WIRING AND GROUNDING INSTRUCTIONS (I.S. 18) AND ANY ADDITIONAL DIRECTIONS. TURN POWER SUPPLY OFF DURING INSTALLATION. IF NEW WIRING IS REQUIRED, CONSULT A QUALIFIED ELECTRICIAN OR LOCAL AUTHORITIES FOR CODE REQUIREMENTS.**

## wiring instructions

### Indoor Fixtures

1. Connect positive supply wire **(A)** (typically black or the smooth, unmarked side of the two-conductor cord) to positive fixture lead **(B)** with appropriately sized twist on connector - see **Drawings 1 or 2**.
2. Connect negative supply wire **(C)** (typically white or the ribbed, marked side of the two-conductor cord) to negative fixture lead **(D)**.
3. Please refer to the **grounding instructions** below to complete all electrical connections.

### Outdoor Fixtures

1. Connect positive supply wire **(A)** (typically black or the smooth unmarked side of the two-conductor cord) to positive fixture lead **(B)** with appropriately sized twist on connector - see **Drawings 2 or 3**.
2. Connect negative supply wire **(C)** (typically white or the ribbed, marked side of the two-conductor cord) to negative fixture lead **(D)**.
3. Cover open end of connectors with silicone sealant to form a watertight seal.
  - If installing a wall mount fixture, use caulk to seal gaps between the fixture mounting plate (backplate) and the wall. This will help prevent water from entering the outlet box. If the wall surface is lap siding, use caulk and a fixture mounting platform specially.
4. Please refer to the **grounding instructions** below to complete all electrical connections.

## grounding instructions

### Flush Mount Fixtures

For positive grounding in a 3-wire electrical system, fasten the fixture ground wire **(E)** (typically copper or green plastic coated) to the fixture mounting strap **(1)** with the ground screw **(2)** - see **Drawing 1**.

Note: On straps for screw supported fixtures, first install the two mounting screws in strap. Any remaining tapped hole may be used for the ground screw.

### Chain Hung Fixtures

Loop fixture ground wire **(E)** (typically copper or green plastic coated) under the head of the ground screw **(2)** on fixture mounting strap **(1)** and connect to the loose end of the fixture ground wire directly to the ground wire of the building system with appropriately sized twist-on connectors - see **Drawing 2**.

### Post-Mount Fixtures

Connect fixture ground wire **(E)** (typically copper or green plastic coated) to power supply ground with appropriately sized twist-on connector inside post. Cover open end of connector with silicone sealant to form a watertight seal - see **Drawing 3**.