



Assembly Instructions for 1941

1. Taking main body assembly (1) install the glass following instructions below.
2. After glass is installed. Thread center tubing (2) into coupler (B) on the top of the cluster assembly (C).
3. Slip candle sleeves (3) over sockets (A).

Fixture can be lamped at this point. Note: maximum wattage per bulb is 40 watts.

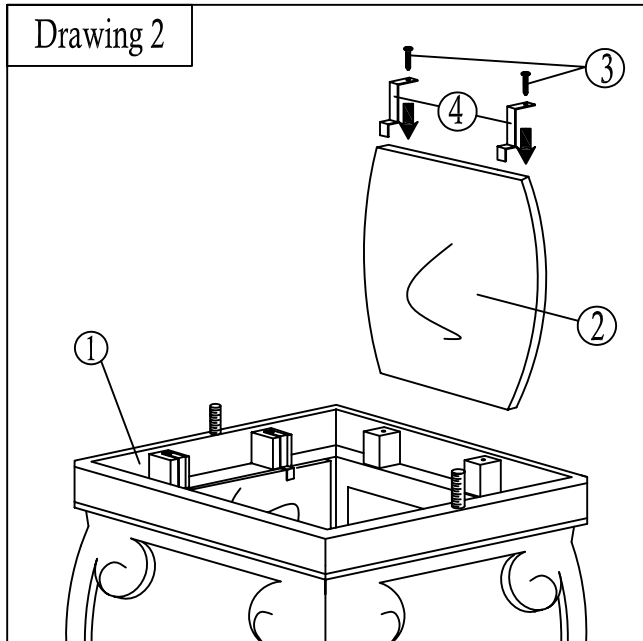
4. Slip roof assembly (4) over center tubing (2).
5. Thread top finial (5) onto exposed end of tubing (2).

Fixture is ready for mounting. Please follow all instructions on the back of this sheet.

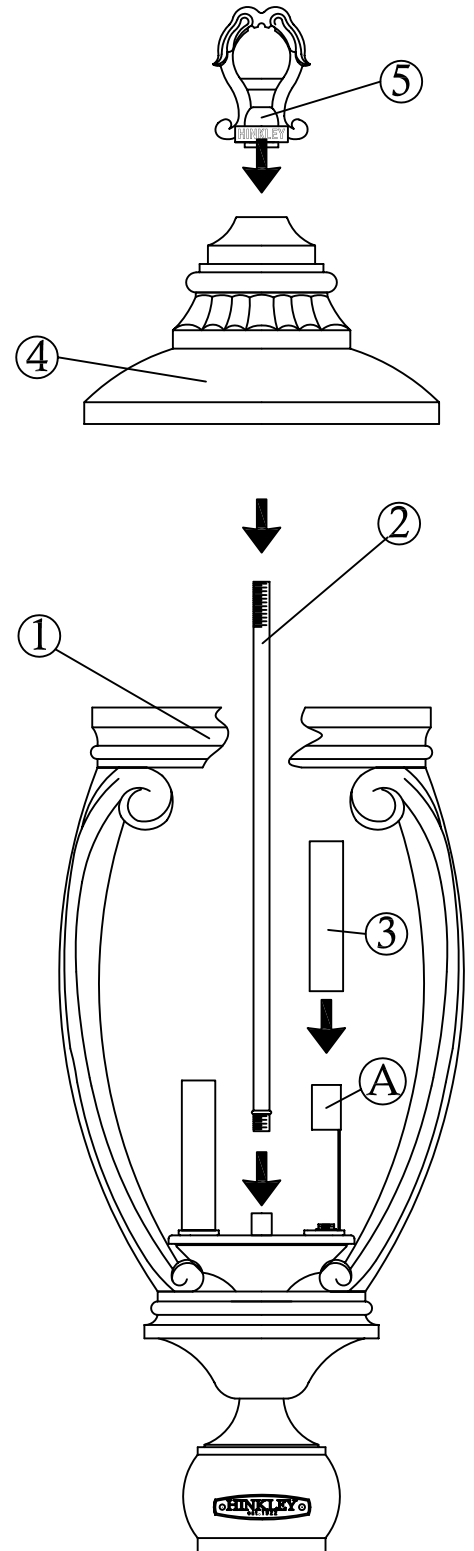
Glass Installation

NOTE: Use Drawing 2 as a reference

- 1) Unwarp glass panels (2) and taking main cage assembly (1), remove screws (3) which retain the glass clips (4) in place. Slide glass panels (2) into cage, making sure bottom of glass is in front of tab in bottom of cage.
- 2) Replace glass clips (4) using screws (3) that were removed earlier.



Drawing 1

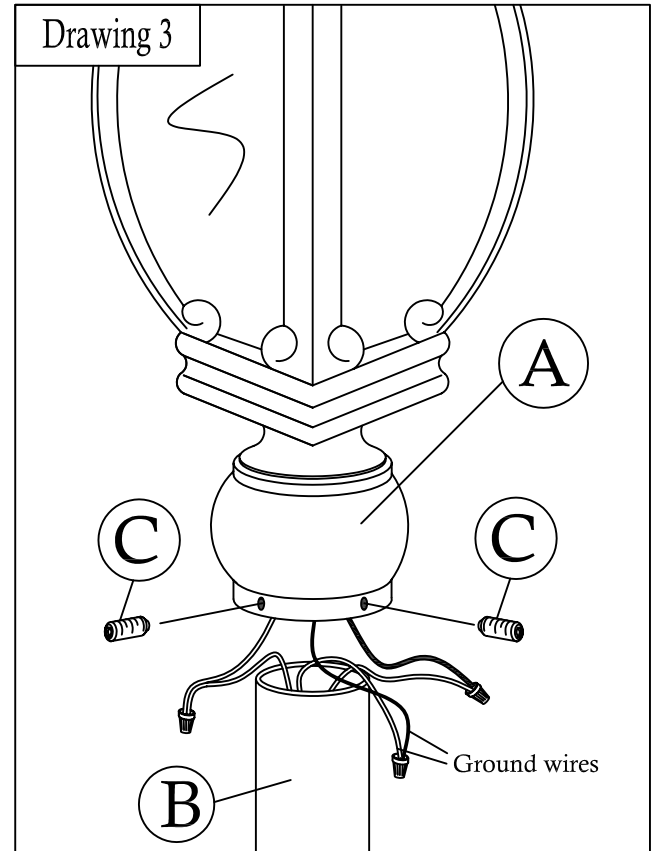


Mounting Instruction for 1941FZ

Use Drawing 3 for reference.

NOTE: Make sure all electrical power to pole is shut off prior to wiring fixture.

1. Fixture is mounted using 3 - 1/4-20 set screws.
2. Make all necessary electrical connects following wiring instructions below.
3. After wiring connections are complete. Slip post fitter (A) over pole (B). Making sure all wire connections are tucked inside the pole. When fixture is slipped over pole make sure no wires are being pinched between the top edge of the pole and the inside of the post fitter.
4. Taking the 3 set screws (C) threaded them into pre-tapped hole in post fitter (A). Tighten with an allen wrench (not included).



I.S. 18

Wiring & Grounding Instructions

SAFETY WARNING: Read wiring and grounding instructions and any additional installation directions. Turn power supply off during installation. If new wiring is required, consult a qualified electrician or local authority for code requirements.

WIRING INSTRUCTIONS (INDOOR FIXTURES): Connect positive supply wire (black or red) to positive fixture lead with appropriately sized twist-on connector. Connect negative (white) supply wire to negative fixture lead.

WIRING INSTRUCTIONS (OUTDOOR FIXTURES): Connect positive supply wire (black or red) to positive fixture lead with appropriately sized twist-on connector. Connect negative (white) supply wire to negative fixture lead. Cover open end of connectors with silicone sealant to form a watertight seal. If installing a wall-mount fixture, use caulk to seal gaps, between the fixture mounting plate (backplate) and the wall. This will help prevent water from entering the outlet box. If the wall surface is lap siding, use caulk and a fixture mounting platform specially designed for lap siding.

IDENTIFICATION OF FIXTURE LEADS:

POSITIVE: Black, or with woven plain cloth cover or smooth and unmarked side of two-conductor cord.

NEGATIVE: White, or with woven cloth cover with tracer, or with ribbed or printed side of two conductor cord.

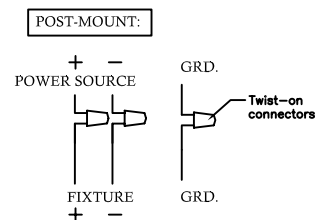
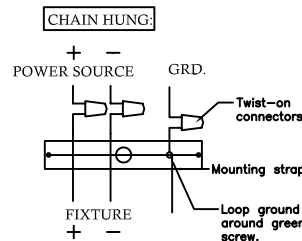
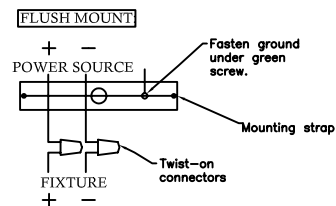
GROUNDING INSTRUCTIONS:

FOR FLUSH-MOUNT FIXTURES: For positive grounding in a 3-wire electrical system, fasten the system ground to the fixture mounting strap with the green ground screw. Note: On straps for screw supported fixtures, first install the two mounting screws in strap. Any remaining tapped hole may be used for the ground screw.

FOR CHAIN HUNG FIXTURES: Loop fixture ground wire under the head of the ground screw on mounting strap, and connect the loose end of the fixture ground wire directly to the ground wire of the building system, with appropriately sized twist-on connectors.

FOR POST-MOUNT FIXTURES: Connect fixture ground to power supply ground with appropriately sized twist-on connector inside post. Cover open end of connector with silicone sealant to form a watertight seal.

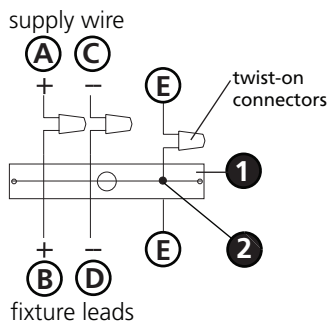
WIRING DIAGRAMS:



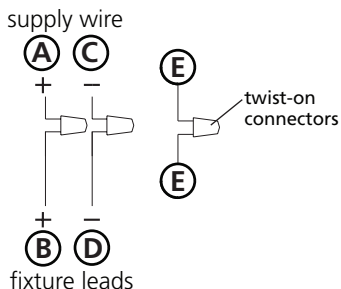
Drawing 1 - Flush Mount



Drawing 2 - Chain Hung



Drawing 3 - Post-Mount



SAFETY WARNING: READ WIRING AND GROUNDING INSTRUCTIONS (I.S. 18) AND ANY ADDITIONAL DIRECTIONS. TURN POWER SUPPLY OFF DURING INSTALLATION. IF NEW WIRING IS REQUIRED, CONSULT A QUALIFIED ELECTRICIAN OR LOCAL AUTHORITIES FOR CODE REQUIREMENTS.

wiring instructions

Indoor Fixtures

1. Connect positive supply wire **(A)** (typically black or the smooth, unmarked side of the two-conductor cord) to positive fixture lead **(B)** with appropriately sized twist on connector - see **Drawings 1 or 2**.
2. Connect negative supply wire **(C)** (typically white or the ribbed, marked side of the two-conductor cord) to negative fixture lead **(D)**.
3. Please refer to the **grounding instructions** below to complete all electrical connections.

Outdoor Fixtures

1. Connect positive supply wire **(A)** (typically black or the smooth unmarked side of the two-conductor cord) to positive fixture lead **(B)** with appropriately sized twist on connector - see **Drawings 2 or 3**.
2. Connect negative supply wire **(C)** (typically white or the ribbed, marked side of the two-conductor cord) to negative fixture lead **(D)**.
3. Cover open end of connectors with silicone sealant to form a watertight seal.
 - If installing a wall mount fixture, use caulk to seal gaps between the fixture mounting plate (backplate) and the wall. This will help prevent water from entering the outlet box. If the wall surface is lap siding, use caulk and a fixture mounting platform specially.
4. Please refer to the **grounding instructions** below to complete all electrical connections.

grounding instructions

Flush Mount Fixtures

For positive grounding in a 3-wire electrical system, fasten the fixture ground wire **(E)** (typically copper or green plastic coated) to the fixture mounting strap **(1)** with the ground screw **(2)** - see **Drawing 1**.

Note: On straps for screw supported fixtures, first install the two mounting screws in strap. Any remaining tapped hole may be used for the ground screw.

Chain Hung Fixtures

Loop fixture ground wire **(E)** (typically copper or green plastic coated) under the head of the ground screw **(2)** on fixture mounting strap **(1)** and connect to the loose end of the fixture ground wire directly to the ground wire of the building system with appropriately sized twist-on connectors - see **Drawing 2**.

Post-Mount Fixtures

Connect fixture ground wire **(E)** (typically copper or green plastic coated) to power supply ground with appropriately sized twist-on connector inside post. Cover open end of connector with silicone sealant to form a watertight seal - see **Drawing 3**.