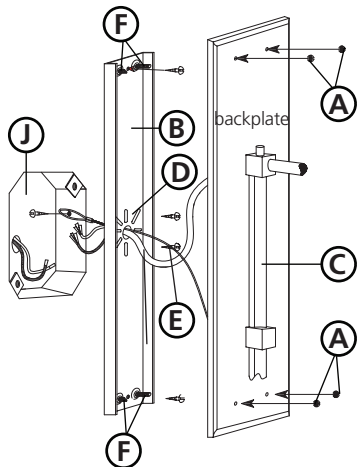


Item No. 1929

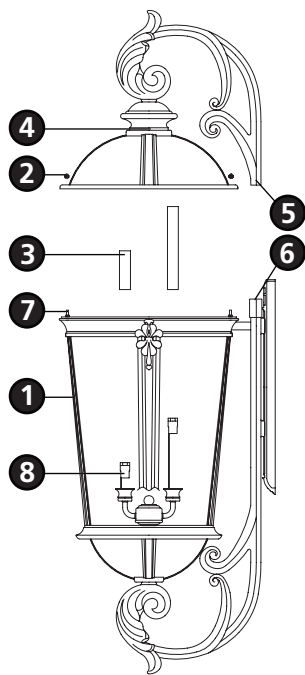


▼ start here

Drawing 1 - Fixture Mounting



Drawing 2 - Fixture Assembly



1

1. Find a clear area in which you can work.
2. Unpack fixture and glass from carton.
3. Carefully review instructions prior to assembly.

***** The construction of this fixture will be accomplished by first assembling the fixture, mounting the mounting strap to the junction box, making all necessary electrical connections, mounting the fixture to the wall, and then completing the assembling of the main body of the fixture.**

2

1. To begin fixture assembly, unscrew the two ball knobs (2) - see **Drawing 2**.
2. Lift roof (1) from fixture.
3. Slip candle sleeves (3) over sockets (8) located inside the main body assembly (1).

3

1. Preparation for mounting of the safety cable to the junction box (J) in your wall should be done at this point - see **Drawing 1**.
2. Using a 1/8" diameter drill, drill a pilot hole in the side of the junction box (J) that is attached to the wood wall stud. This pilot hole will be the point at which the safety cable will be attached.
3. Remove the four ball knobs (A) holding retaining plate (B) to the fixture backplate (C).
4. Using junction box (J) as a reference, determine which knockouts (D) should be removed from retaining plate (B).
5. Slip safety cable and lead wires through 9/16" dia. hole in retaining plate (B).
6. Holding fixture cage assembly (5) up to junction box (J) attach looped end of safety cable to junction box using a #8 wood screw (not provided).

SAFETY WARNING: READ WIRING AND GROUNDING INSTRUCTIONS (I.S. 18) AND ANY ADDITIONAL DIRECTIONS. TURN POWER SUPPLY OFF DURING INSTALLATION. IF NEW WIRING IS REQUIRED, CONSULT A QUALIFIED ELECTRICIAN OR LOCAL AUTHORITIES FOR CODE REQUIREMENTS.

4

- Make electrical connections from supply wire to fixture lead wires. Refer to instruction sheet (I.S. 18) and follow all instructions to make all necessary wiring connections. Then refer back to this sheet to continue installation of this fixture.

5

1. To mount fixture to the wall, attach retaining plate (B) to junction box (J) using two 8-32 machine screws (E). Two additional mounting points (F) at the top and bottom of the retaining plate (B) should be anchored to wall (screws not provided) - see **Drawing 1**.
2. Fixture can now be attached to the mounting plate (B) using the four ball knobs (F), removed from fixture earlier.

6

1. Fixture can now be lamped accordingly.
2. To complete fixture assembly, slip roof (4) back onto main body assembly (1). Making sure end of arm (5) locates in pocket (6) - see **Drawing 2**.
3. Thread ball knobs (2) back onto studs (7).

Drawing 1 - Flush Mount



Drawing 2 - Chain Hung



Drawing 3 - Post-Mount



SAFETY WARNING: READ WIRING AND GROUNDING INSTRUCTIONS (I.S. 18) AND ANY ADDITIONAL DIRECTIONS. TURN POWER SUPPLY OFF DURING INSTALLATION. IF NEW WIRING IS REQUIRED, CONSULT A QUALIFIED ELECTRICIAN OR LOCAL AUTHORITIES FOR CODE REQUIREMENTS.

wiring instructions

Indoor Fixtures

1. Connect positive supply wire **(A)** (typically black or the smooth, unmarked side of the two-conductor cord) to positive fixture lead **(B)** with appropriately sized twist on connector - see **Drawings 1 or 2**.
2. Connect negative supply wire **(C)** (typically white or the ribbed, marked side of the two-conductor cord) to negative fixture lead **(D)**.
3. Please refer to the **grounding instructions** below to complete all electrical connections.

Outdoor Fixtures

1. Connect positive supply wire **(A)** (typically black or the smooth unmarked side of the two-conductor cord) to positive fixture lead **(B)** with appropriately sized twist on connector - see **Drawings 2 or 3**.
2. Connect negative supply wire **(C)** (typically white or the ribbed, marked side of the two-conductor cord) to negative fixture lead **(D)**.
3. Cover open end of connectors with silicone sealant to form a watertight seal.
 - If installing a wall mount fixture, use caulk to seal gaps between the fixture mounting plate (backplate) and the wall. This will help prevent water from entering the outlet box. If the wall surface is lap siding, use caulk and a fixture mounting platform specially.
4. Please refer to the **grounding instructions** below to complete all electrical connections.

grounding instructions

Flush Mount Fixtures

For positive grounding in a 3-wire electrical system, fasten the fixture ground wire **(E)** (typically copper or green plastic coated) to the fixture mounting strap **(1)** with the ground screw **(2)** - see **Drawing 1**.

Note: On straps for screw supported fixtures, first install the two mounting screws in strap. Any remaining tapped hole may be used for the ground screw.

Chain Hung Fixtures

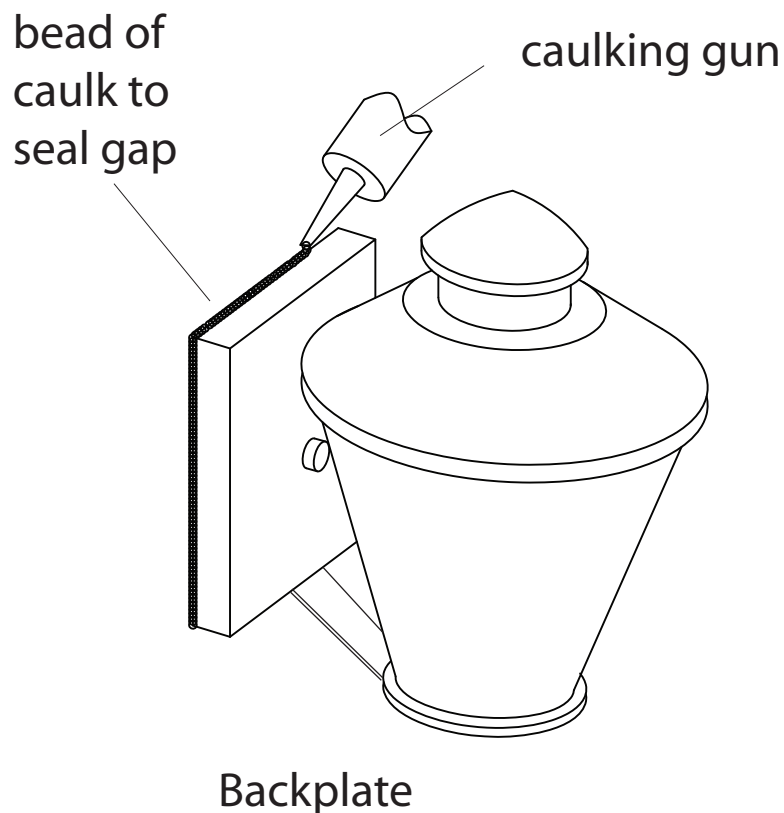
Loop fixture ground wire **(E)** (typically copper or green plastic coated) under the head of the ground screw **(2)** on fixture mounting strap **(1)** and connect to the loose end of the fixture ground wire directly to the ground wire of the building system with appropriately sized twist-on connectors - see **Drawing 2**.

Post-Mount Fixtures

Connect fixture ground wire **(E)** (typically copper or green plastic coated) to power supply ground with appropriately sized twist-on connector inside post. Cover open end of connector with silicone sealant to form a watertight seal - see **Drawing 3**.

▼ start here

1. After securing fixture to the wall it is recommended that the gap between the wall and fixture backplate be sealed with any good quality waterproof caulk or silicone sealant. (NOT INCLUDED) See Drawing 1.



Drawing 1