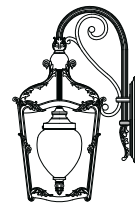
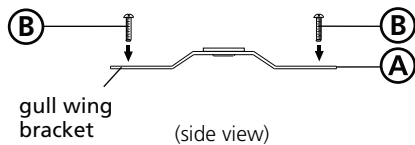


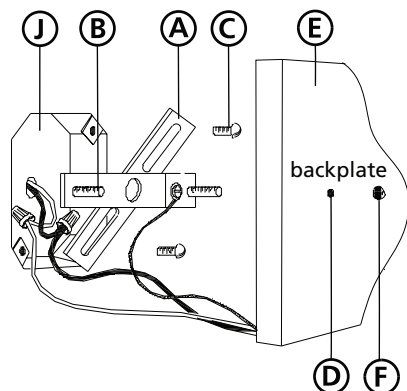
Family: Sorrento | Item No. 1425 AI



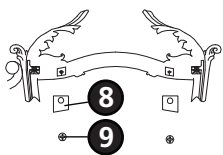
Drawing 1 - Strap Detail



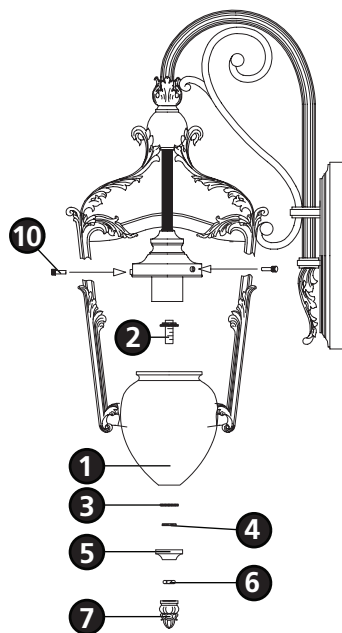
Drawing 2 - Fixture Mounting



Drawing 3 - Fixture Assembly



Drawing 4 - Fixture Assembly



▼ start here

1

1. Find a clear area in which you can work.
2. Unpack fixture and glass from carton.
3. Carefully review instructions prior to assembly.

***** The construction of this fixture will be accomplished by first assembling the interior glass globe, installing the glass in the cage assembly, attaching the mounting hardware to the junction box, making all necessary electrical connections and then mounting the fixture to the wall.**

2

1. Insert threaded tube (2) with knurl nut and washer, through the center hole in the bottom of the glass globe (1) and hold in position - see **Drawing 4**.
2. Slip washer (3) onto exposed end of threaded tube (2).
3. Thread knurl nut (4) onto threaded tube (2) and hand-tighten only.
4. Slip cap (5) and thread hex nut (6) onto threaded tube (2) and hand-tighten.
5. Thread finial (7) onto end of threaded tube (2) and hand-tighten.
6. Set globe (1) aside to be installed later.

3

1. To install glass, remove glass clips (8) by using a Philips screwdriver to remove screw (9) from inside the top edge of the cage - see **Drawings 3 and 4**.
2. Tilt glass panels at an angle and insert them through the panel opening on the side of the cage. Place bottom of glass behind the tab in the bottom of the cage.
3. After all panels are inserted replace the glass clips (8) removed earlier.

4

1. Prepare mounting strap (A) by threading the two 1 1/4" long mounting screws (B) into the back of the gull wing bracket - see **Drawing 1**.
 - Be sure the holes into which the screws are threaded match the spacing of holes (D) in the back plate (E) - see **Drawings 1 and 2**.
2. Attach mounting strap (A) to junction box (J) using two 1" screws (C) provided - see **Drawing 2**.

SAFETY WARNING: READ WIRING AND GROUNDING INSTRUCTIONS (I.S. 18) AND ANY ADDITIONAL DIRECTIONS. TURN POWER SUPPLY OFF DURING INSTALLATION. IF NEW WIRING IS REQUIRED, CONSULT A QUALIFIED ELECTRICIAN OR LOCAL AUTHORITIES FOR CODE REQUIREMENTS.

Make electrical connections from supply wire to fixture lead wires. Refer to instruction sheet (I.S. 18) and follow all instructions to make all necessary wiring connections. Then refer back to this sheet to continue installation of this fixture.

5

1. Slide backplate (E) over screws (B) and secure with ball knobs (F) - see **Drawing 2**.

6

1. Fixture can now be lamped accordingly.
2. Install interior globe (1) using the small thumb screws (10) provided - see **Drawing 4**.

Note: Maximum wattage for 1425 fixture is 100 watts per bulb.

12.10.08