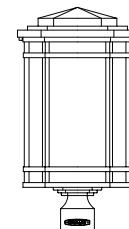
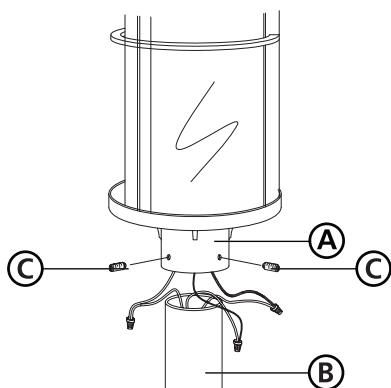


Family: Cherry Creek | Item No. 1271 VK



## Drawing 1 - Fixture Mounting



## ▼ start here

- 1** 1. Find a clear area in which you can work.
2. Unpack fixture and glass from carton.
3. Carefully review instructions prior to assembly.

**\*\*\* The construction of this fixture will be accomplished by first making all necessary electrical connections, and then mounting the fixture to pre-installed post.**

- 2** 1. Fixture is mounted using 3 - 1/4-20 set screws.
2. Make all necessary electrical connections following wiring instructions below.

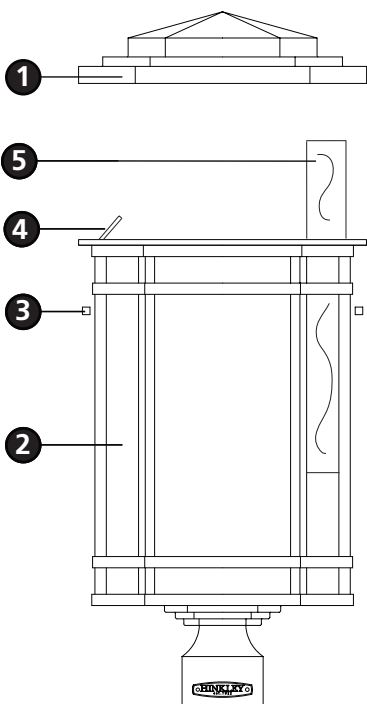
**SAFETY WARNING: READ WIRING AND GROUNDING INSTRUCTIONS (I.S. 18) AND ANY ADDITIONAL DIRECTIONS. TURN POWER SUPPLY OFF DURING INSTALLATION. IF NEW WIRING IS REQUIRED, CONSULT A QUALIFIED ELECTRICIAN OR LOCAL AUTHORITIES FOR CODE REQUIREMENTS.**

- 3** Make electrical connections from supply wire to fixture lead wires. Refer to instruction sheet (I.S. 18) and follow all instructions to make all necessary wiring connections. Then refer back to this sheet to continue installation of this fixture.

- 4** 1. After wiring connections are complete, slip post fitter (A) over top of pre-installed post (B) making sure all wire connections are tucked inside the pole - see **Drawing 1**.
2. When fixture is slipped over pole make sure no wires are being pinched between the top edge of the pole and the inside of the post fitter.
3. Thread the 3 set screws (C) into pre-tapped holes in post fitter.
4. Tighten screws to secure fixture to post.

- 5** 1. To install glass and to lamp fixture, remove roof (1) from main body assembly (2), by removing knob (3) from under roof lip.
2. To install glass, bend up glass clip (4) and slip glass (5) into main body assembly (2).
3. Bend glass clip (4) back down to secure glass (5).
4. After all glass panels are installed, fixture can be lamped accordingly.
5. replace roof (1) and thread on knobs (3).

## Drawing 2 - Lamping Instructions



Note: Maximum wattage for 1271 fixture is 100 watts per bulb.

2.7.08