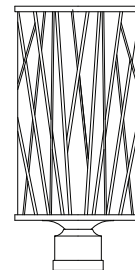
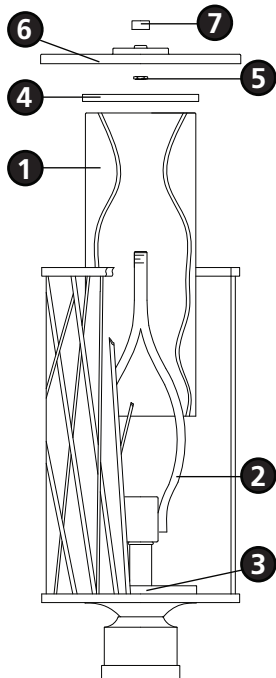


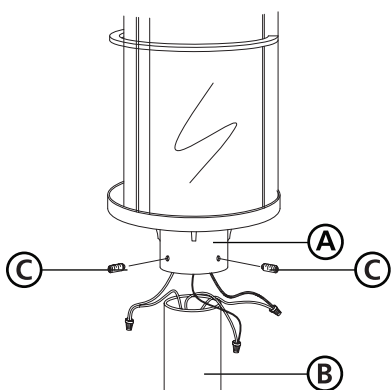
Family: Elm | Item No. 1151 RB



Drawing 1 - Fixture Assembly



Drawing 2 - Fixture Mounting



▼ start here

1

1. Find a clear area in which you can work.
2. Unpack fixture and glass from carton.
3. Carefully review instructions prior to assembly.

***** The construction of this fixture will be accomplished by first assembling main body of the fixture, making all necessary electrical connections, mounting the fixture to pre-installed post, and then installing the glass.**

SAFETY WARNING: READ WIRING AND GROUNDING INSTRUCTIONS (I.S. 18) AND ANY ADDITIONAL DIRECTIONS. TURN POWER SUPPLY OFF DURING INSTALLATION. IF NEW WIRING IS REQUIRED, CONSULT A QUALIFIED ELECTRICIAN OR LOCAL AUTHORITIES FOR CODE REQUIREMENTS.

2

2. Make electrical connections from supply wire to fixture lead wires. Refer to instruction sheet **(I.S. 18)** and follow all instructions to make all necessary wiring connections. Then refer back to this sheet to continue installation of this fixture.

3

1. After wiring connections are complete, slip post fitter **(A)** over top of pre-installed post **(B)** making sure all wire connections are tucked inside the pole - see **Drawing 2**.
2. When fixture is slipped over pole make sure no wires are being pinched between the top edge of the pole and the inside of the post fitter.
3. Thread the 3 set screws **(C)** into pre-tapped holes in post fitter.
4. Tighten screws **(C)** to secure fixture to post.

4

1. Slip glass cylinder **(1)** over harp assembly **(2)** and into bottom glass holder **(3)** - see **Drawing 1**.
2. Slip interior cap **(4)** over harp assembly **(2)** and onto top of glass **(1)**.
3. Thread hex nut **(5)** onto harp **(3)** and tighten down onto cap **(4)** to secure glass **(1)**.
4. Slip top cap **(6)** onto harp **(2)** and over cap **(4)**.
5. Thread on decorative knob **(7)** and tighten to secure top cap **(6)**.

Note: Maximum wattage for 1151 fixture is 100 watts per bulb.

5.5.10