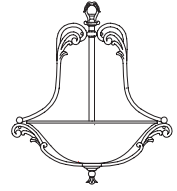
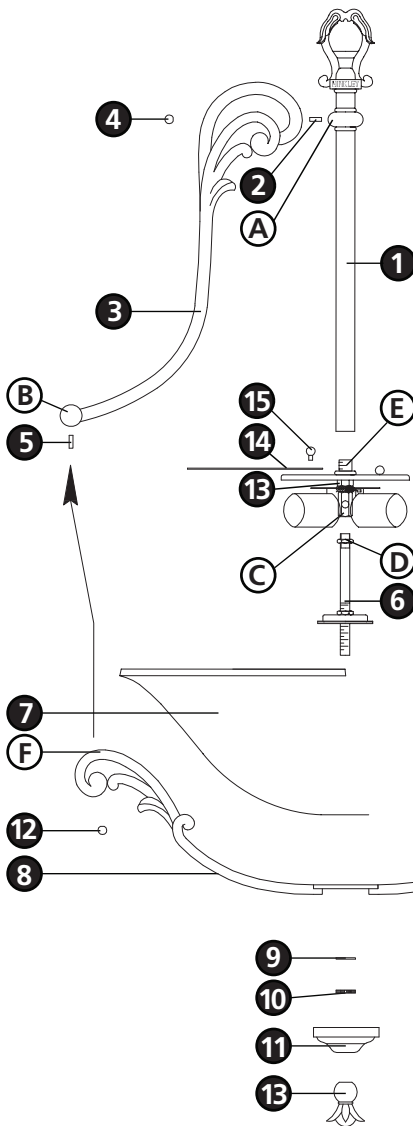


Family: Maribella | Item No. 4762 RY



Drawing 1 - Glass Installation

▼ start here



1

1. Find a clear area in which you can work.
2. Unpack fixture and glass from carton.
3. Carefully review instructions prior to assembly.

*** The construction of this fixture will be accomplished by first assembling the main body of the fixture, making all necessary electrical connections, hanging the fixture from the ceiling, and then installing the glass.

SAFETY WARNING: READ WIRING AND GROUNDING INSTRUCTIONS (I.S. 18) AND ANY ADDITIONAL DIRECTIONS. TURN POWER SUPPLY OFF DURING INSTALLATION. IF NEW WIRING IS REQUIRED, CONSULT A QUALIFIED ELECTRICIAN OR LOCAL AUTHORITIES FOR CODE REQUIREMENTS.

2

1. To assemble main body, thread center column (1) into threaded tube (E) located at the top of the cluster assembly (13).
2. Thread studs (2) into top of center column (1) at location (A).
3. Slip scroll (3) onto stud (2) and secure with ball knob (4).
4. Thread stud (5) into end of scroll arm (3) at location (B).
5. Thread center stem (6) into coupler (C) approximately 3/8".
6. Thread hex nut (D) up against coupler (C) to secure center stem (6).
7. Align holes in bulb shield (14) with holes in the top of the cluster assembly (13) and secure using ball knob screws (15).
8. Please refer to the hanging instruction sheet (I.S. 19) provided to hang fixture. Then refer back to this sheet to install glass.

3

1. Prior to installing glass, fixture can now be lamped accordingly.
2. To install glass, slip glass (7) onto center stem (6) and hold in position.
3. Slip spider assembly (8) onto center stem (6) and up against glass and hold in position.
4. Slip steel washer (9) onto center stem (6) and hold in position.
5. Thread knurled nut (10) onto center stem (6) and loosely tighten up against washer (9).
6. Line up holes (F) in the end of spider assembly arm (8) with studs (5) in the end of scroll (3) attached previously.
7. Thread ball knob (12) onto stud (5).
8. Tighten knurled nut (10) up against steel washer (9).
9. Slip cap (11) onto center stem (6) and over arms of spider assembly (8).
10. Thread finial (13) onto end of center stem (6) and tighten.

Note: Maximum wattage for 4762 fixture is 75 watts per bulb.

4.10.08