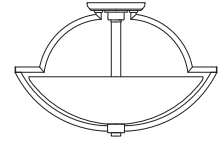
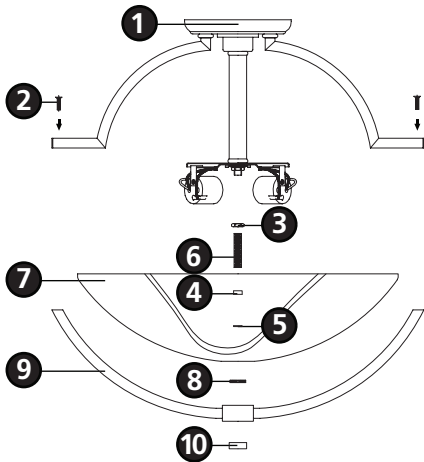


Family: Valley | Item No. 4701 VK

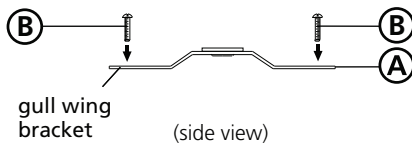
▼ start here



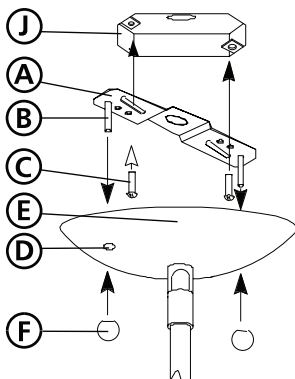
Drawing 1 - Fixture Assembly



Drawing 2 - Strap Detail



Drawing 3 - Fixture Mounting



1

1. Find a clear area in which you can work.
2. Unpack fixture and glass from carton.
3. Carefully review instructions prior to assembly.

***** The construction of this fixture will be accomplished by first assembling the main body of the fixture, making all necessary electrical connections and then mounting the fixture to the ceiling.**

2

1. To assemble main body, thread hex nut (3) on one end of threaded tubing (6) approximately 1/4" - see **Drawing 1**.
2. Slip flat washer (4) onto other end of threaded tubing (6) and up against hex nut (3).
3. Slip plastic washer (5) onto threaded tubing (6) and up against flat washer (4).
4. Slip threaded tube (6) through center hole in glass (7).
5. Thread knurled nut (8) onto end of threaded tubing (6), and tighten against glass (7).
6. Slip spider assembly (9) onto threaded tubing (6).
7. Thread finial (10) onto end of threaded tubing (6) and tighten to secure spider assembly (9) to glass (7).
8. Line up the holes in the arms of spider assembly (9) with holes in the arms of main body assembly (1).
9. Thread screws (2) into holes to attach glass (7) to fixture.
10. Fixture can now be lamped accordingly.

3

1. Prepare gem strap (A) for mounting by threading two screws (B) provided into back of gull wing bracket of gem strap (A) - see **Drawing 2**.
 - Be sure the holes into which the screws are threaded match the spacing of holes (D) in the canopy (E) - see **Drawings 2 and 3**.
2. Mount gem strap (A) to junction box (J), using the two 1" screws (C).

SAFETY WARNING: READ WIRING AND GROUNDING INSTRUCTIONS (I.S. 18) AND ANY ADDITIONAL DIRECTIONS. TURN POWER SUPPLY OFF DURING INSTALLATION. IF NEW WIRING IS REQUIRED, CONSULT A QUALIFIED ELECTRICIAN OR LOCAL AUTHORITIES FOR CODE REQUIREMENTS.

4

Make electrical connections from supply wire to fixture lead wires. Refer to instruction sheet (I.S. 18) and follow all instructions to make all necessary wiring connections. Then refer back to this sheet to continue installation of this fixture.

5

1. To mount fixture, slide canopy (E) over screws (B) and secure with ball knobs (F) - see **Drawing 3**.

Note: Maximum wattage for 4701 fixture is 100 watts per bulb.

2.7.08