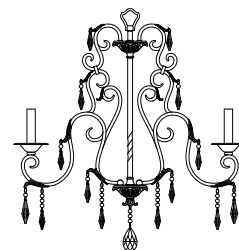
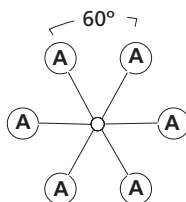


Family: Carlton | Item No. 4776



▼ start here

Drawing 1 - Fixture Assembly

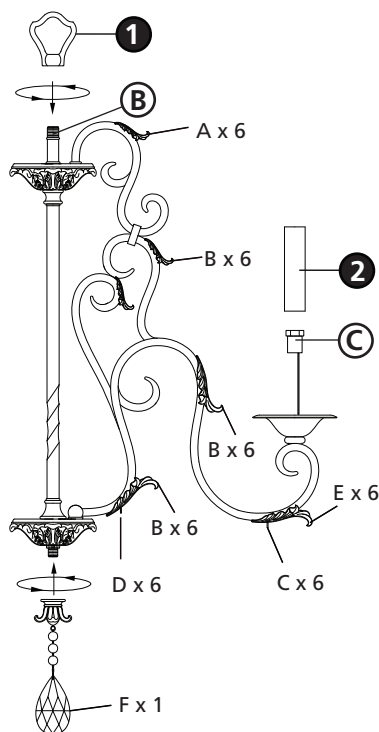


1

1. Find a clear area in which you can work.
2. Unpack fixture and glass from carton.
3. Carefully review instructions prior to assembly.

*** The construction of this fixture will be accomplished by first rotating the fixture arms into the correct position, assembling the basic fixture, installing the mounting hardware, making all necessary electrical connections, mounting the fixture to the ceiling and then hanging the crystals.

Drawing 2 - Fixture Assembly



2

1. To assemble fixture, slip loop (1) along wire and thread onto threaded tube (B) at the top of fixture - see **Drawing 2**.
2. Rotate arms (A) until they are equally spaced 60 degrees apart - see **Drawing 1**.
3. Slip candle sleeve (2) over each socket (C) - see **Drawing 2**.
4. Fixture can now be installed, please refer to instruction sheet (IS-19) provided. After completion please return to this sheet to finish assembly.

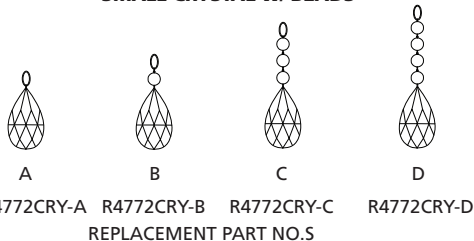
3

1. To complete assembly, first thread bottom finial (3) with crystal (F) attached onto bottom of fixture - see **Drawing 2**.
2. Proceed to attach crystals using **Drawing 2** as a reference guide. If a crystal must be replaced, please use the part no.s provided below the crystal drawings when ordering.
3. The crystals are referenced with the quantity (Ex. ? x 6) required following the letter.

Note: Maximum wattage for 4776 fixture is 60 watts per bulb.

10.27.10

SMALL CRYSTAL W/ BEADS



LARGE CRYSTALS W/ BEADS

