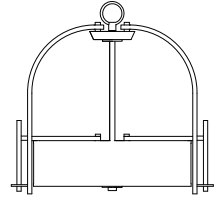
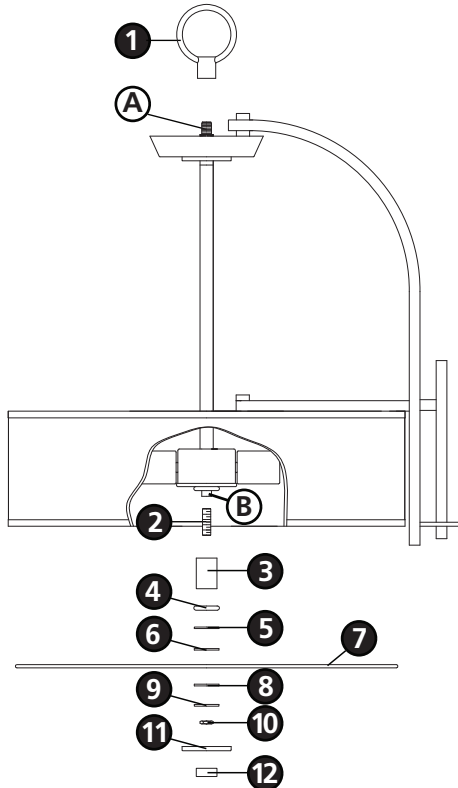


Family: Sloan | Item No. 4542 RB



Drawing 1 - Fixture Assembly



▼ start here

1

1. Find a clear area in which you can work.
2. Unpack fixture and glass from carton.
3. Carefully review instructions prior to assembly.

***** The construction of this fixture will be accomplished by first assembling the main body of the fixture, making all necessary electrical connections, hanging the fixture from the ceiling, and then installing the glass lens.**

SAFETY WARNING: READ WIRING AND GROUNDING INSTRUCTIONS (I.S. 18) AND ANY ADDITIONAL DIRECTIONS. TURN POWER SUPPLY OFF DURING INSTALLATION. IF NEW WIRING IS REQUIRED, CONSULT A QUALIFIED ELECTRICIAN OR LOCAL AUTHORITIES FOR CODE REQUIREMENTS.

2

1. Slip loop **(1)** along supply wire and thread onto threaded tube **(A)** - see **Drawing 1**.
2. Thread center tube **(2)** into coupler **(B)**, located in the center of the socket cluster, approximately 3/8".
3. Slip cover tube **(3)** over center tube **(2)** and hold in position.
4. slip check ring **(4)** onto center tube and up against cover tube **(3)** and hold in position.
5. Slip flat washer **(5)** followed by rubber washer **(6)**. Rubber washer will hold parts in position.
6. Please refer to the hanging instruction sheet **(I.S. 19)** provided to continue installation of this fixture. Then refer back to this sheet to continue installation of this fixture.

3

1. Fixture can now be lamped accordingly.
2. Slip center hole of glass **(7)** onto center tube **(2)** and up against rubber washer **(6)** and hold in position.
3. Slip rubber washer **(8)** followed by flat washer **(9)** onto center tube **(2)** and up against glass **(7)** and hold in position.
4. Thread hex nut **(10)** onto center tube **(2)** and tighten to secure glass **(7)**.
5. Slip cap **(11)** onto center tube **(2)** and hold in position.
6. Thread cap knob **(12)** onto end of center tube **(2)** and tighten.

Note: Maximum wattage for 4542 fixture is 100 watts per bulb.

11.3.09