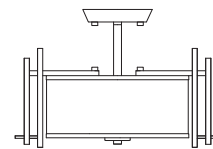
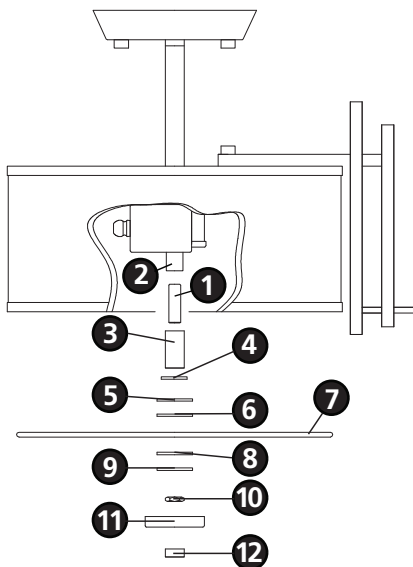


Family: Sloan | Item No. 4541 RB



## ▼ start here

**Drawing 1 - Fixture Assembly**



**1**

1. Find a clear area in which you can work.
2. Unpack fixture and glass from carton.
3. Carefully review instructions prior to assembly.

**\*\*\* The construction of this fixture will be accomplished by first assembling the main body of the fixture, attaching the mounting strap to the junction box, making all necessary electrical connections, hanging the fixture from the ceiling, and then installing the glass lens.**

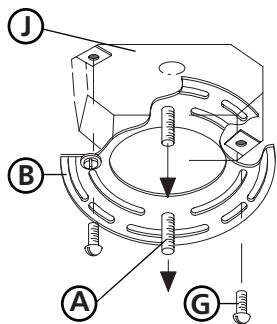
**2**

1. To assemble fixture, thread center tube (1) into coupler (2) approximately 3/8" - see **Drawing 1**.
2. Slip sleeve (3), spacer (4), flat washer (5) and rubber washer (6) over center tube (1).

**3**

1. Prepare mounting strap (B) for mounting by installing screws (A) into mounting plate (B) - see **Drawing 2**.
  - Be sure the holes into which the screws are threaded match the spacing of holes (C) in the canopy (1) - see **Drawings 2 and 3**.
2. Attach mounting plate (B) to junction box (J), using screws (G) provided and slip supply wires through large center hole.

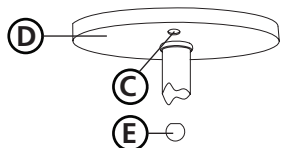
**Drawing 2 - Strap Detail**



**SAFETY WARNING: READ WIRING AND GROUNDING INSTRUCTIONS (I.S. 18) AND ANY ADDITIONAL DIRECTIONS. TURN POWER SUPPLY OFF DURING INSTALLATION. IF NEW WIRING IS REQUIRED, CONSULT A QUALIFIED ELECTRICIAN OR LOCAL AUTHORITIES FOR CODE REQUIREMENTS.**

Make electrical connections from supply wire to fixture lead wires. Refer to instruction sheet (I.S. 18) and follow all instructions to make all necessary wiring connections. Then refer back to this sheet to continue installation of this fixture.

**Drawing 3 - Fixture Mounting**



**4**

1. Hang the fixture by slipping canopy (D) over screws (B) and hold in position - see **Drawings 2 and 3**.
2. Thread ball knobs (E) onto end of screws (B) and tighten to secure fixture to ceiling.

**5**

1. Before installing glass, fixture can now be lamped accordingly.
2. To install glass, slip center hole of glass (7) onto center tube (1), up against rubber washer (6) and hold in position - see **Drawing 1**.
3. Slip rubber washer (8) and flat washer (9) onto center tube (1), up against glass (7), and hold in position.
4. Thread hex nut (10) onto center tube (1) and tighten to secure glass (7).
5. Slip cap (11) and thread cap knob (12) onto end of center stem (1) and tighten.

Note: Maximum wattage for 4541 fixture is 75 watts per bulb.

11.30.09