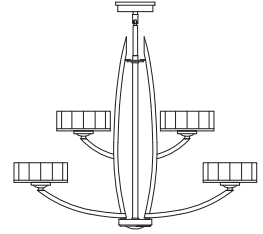
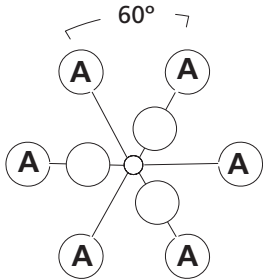


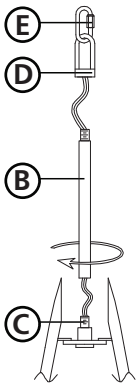
Family: Meridian | Item No. 3878 BN



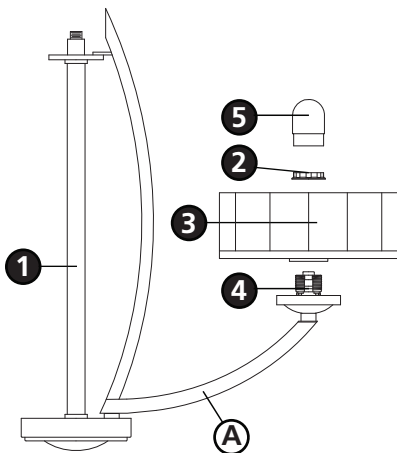
Drawing 1 - Assembly



Drawing 2 - Assembly



Drawing 3 - Glass Installation



▼ start here

1

1. Find a clear area in which you can work.
2. Unpack fixture and glass from carton.
3. Carefully review instructions prior to assembly.

***** The construction of this fixture will be accomplished by first assembling the main body of the fixture, making all necessary electrical connections, hanging the fixture from the ceiling, and then installing the glass.**

SAFETY WARNING: READ WIRING AND GROUNDING INSTRUCTIONS (I.S. 18) AND ANY ADDITIONAL DIRECTIONS. TURN POWER SUPPLY OFF DURING INSTALLATION. IF NEW WIRING IS REQUIRED, CONSULT A QUALIFIED ELECTRICIAN OR LOCAL AUTHORITIES FOR CODE REQUIREMENTS.

2

1. To assemble main body, spread arms (A) located on the main body assembly (1), until they are equally spaced 60 degrees apart - see **Drawings 1 & 3**.
2. Determine the combined length of stems (B) that will be required to hang the fixture at the proper height - see **Drawing 2**.
3. Slip stems (B) along wire and thread tube (C) at top of fixture.
4. After last stem is secured, slip loop (D) along wire and thread at top of stems (B).
5. Take quick link (E), open and attach to loop (D).
6. Please refer to the hanging instruction sheet (I.S. 19-90) provided to hang fixture. Then refer back to this sheet to install glass.

3

1. To install glass, remove socket ring (2) from socket (4) - see **Drawing 3**.
2. Slip glass (3) over socket (4).
3. Thread socket ring (2) onto socket (4) to secure glass (3).
4. Fixture can now be lamped accordingly.
5. Thread bulb shield (5) onto socket until snug.

Note: Maximum wattage for 3878 fixture is 60 watts per G9 bulb.

10.07.09