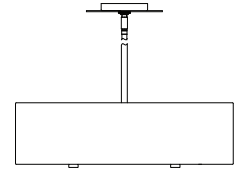
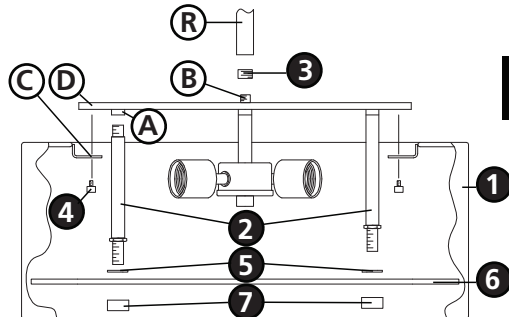


Family: Cirrus | Item No. 3804 BN



Drawing 1 - Assembly



▼ start here

1

1. Find a clear area in which you can work.
2. Unpack fixture and glass from carton.
3. Carefully review instructions prior to assembly.

*** The construction of this fixture will be accomplished by first assembling the main body of the fixture, determining rod length, assembling the rods, attaching mounting assembly, hanging the fixture from the ceiling and then installing the shade.

SAFETY WARNING: READ WIRING AND GROUNDING INSTRUCTIONS (I.S. 18) AND ANY ADDITIONAL DIRECTIONS. TURN POWER SUPPLY OFF DURING INSTALLATION. IF NEW WIRING IS REQUIRED, CONSULT A QUALIFIED ELECTRICIAN OR LOCAL AUTHORITIES FOR CODE REQUIREMENTS.

2

1. Thread uprights (2) into coupler (A) on bottom of crossbar (1).
2. It will be necessary to determine the rod (R) length you will require at this time.
Note: this fixture can not be mounted flush to the canopy or directly to the swivel. A minimum rod length of 4" is required.
3. Thread reducer (3) onto threaded tubing (B) at the center of the crossbar (1).
4. Attach rods (R) to the main body by sliding them along the wire and threading them together.
5. Please refer to the hanging instruction sheet (I.S. 19-80) provided to hang fixture. Then refer back to this sheet to install glass.

3

1. Remove barrel nut stud (4) from top of crossbar (1) - see **Drawing 2**.
2. Align shade brackets (C) with holes (D) in top of crossbar (1).
3. Thread barrel nut studs (4) through shaded bracket (C) and into hole (D) in bottom of crossbar (1) to secure shade.
4. Fixture can now be lamped accordingly.
5. Slip plastic washer (5) onto ends of uprights (2).
6. Slip end of uprights (2) through the holes in the holes in the lens (6) and hold in position.
7. Thread caps (7) onto end of uprights (2) and tighten to secure the lens.

Note: Maximum wattage for 3804 fixture is 60 watts per bulb.

6.17.09