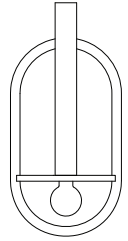
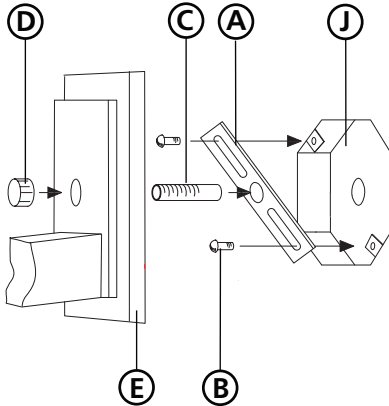


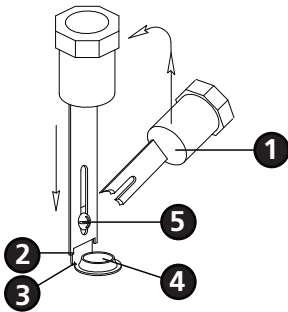
Family: Piedmont | Item No. 3740



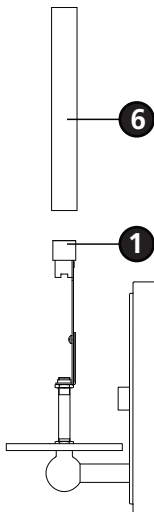
Drawing 1 - Fixture Mounting



Drawing 2 - Fixture Assembly



Drawing 3 - Fixture Assembly



▼ start here

1

1. Find a clear area in which you can work.
2. Unpack fixture and glass from carton.
3. Carefully review instructions prior to assembly.

***** The construction of this fixture will be accomplished by first attaching the mounting strap to the junction box, making all necessary electrical connections, mounting the fixture to the wall, and then assembling fixture.**

2

1. Prepare mounting strap (A) by threading 1-5/8" nipple into the center hole of the mounting strap (A), approximately 1/4" - see **Drawing 1**.
2. Attach mounting strap (A) to junction box (J) using two 1" screws (B) provided.

SAFETY WARNING: READ WIRING AND GROUNDING INSTRUCTIONS (I.S. 18) AND ANY ADDITIONAL DIRECTIONS. TURN POWER SUPPLY OFF DURING INSTALLATION. IF NEW WIRING IS REQUIRED, CONSULT A QUALIFIED ELECTRICIAN OR LOCAL AUTHORITIES FOR CODE REQUIREMENTS.

3

- Make electrical connections from supply wire to fixture lead wires. Refer to instruction sheet (I.S. 18) and follow all instructions to make all necessary wiring connections. Then refer back to this sheet to continue installation of this fixture.

4

1. To mount fixture, slip center hole of backplate (E) over nipple (C) and hold fixture in position - see **Drawing 1**.
2. Thread decorative knob (D) onto end of nipple (C) and tighten to secure fixture.

5

1. To prepare the sockets to accept the candle sleeves, it will be necessary to lock them in position. To accomplish this, first tilt bulb socket and bracket (1) up in a vertical position- see **Drawing 2**.
2. Slip the socket and bracket (1) down until the two tabs (2) engage the notch (3) that is in the base socket bracket (4).
3. Tighten screw (5) to lock sockets in position. Repeat for remaining sockets.
4. Slip candle sleeves (6) over sockets (1) and repeat for remaining sockets - see **Drawing 3**.

Note: Maximum wattage for 3740 fixture is 60 watts per bulb.

10.15.10