

# HIGHLAND ILLUMINATED

**904152FBN-LIA**

HIGHLAND 52" LED FAN

DETAILS	
FAN FINISH:	Brushed Nickel
GLASS:	Etched
BLADE COUNT:	5
SLOPE DEGREE:	20

DIMENSIONS	
WIDTH:	52"
HEIGHT:	13.5"
TOP TO OUTLET:	0"

LIGHT SOURCE	
VOLTAGE:	120v

MOUNTING	
CANOPY:	6" Dia.
LEAD WIRE:	1 x 76"



Highland was designed with versatility in mind. Its practical features and variety of finish and blade options make it transitional to meet every need. Highland is offered in two size options.

## PRODUCT DETAILS:

- This item includes a 4.5" down rod. Other various lengths of down rods are available and sold separately to customize the installation height.
- Suitable for use in dry (indoor) locations as defined by NEC and CEC. Meets United States UL Underwriters Laboratories & CSA Canadian Standards Association Product Safety Standards
- Meets California Energy Commission 2016 Title regulations/JA8
- This item may be hung on a sloped ceiling
- Pull chain manual reverse, accessory controls available
- Each customizable blade offers two finish options; simply reverse the blade to select your preferred finish.
- The Regency Series features a range of traditional ceiling fans designed to enhance a wide variety of spaces with ease.
- LED Lamps carry a 3-year limited warranty

# HINKLEY

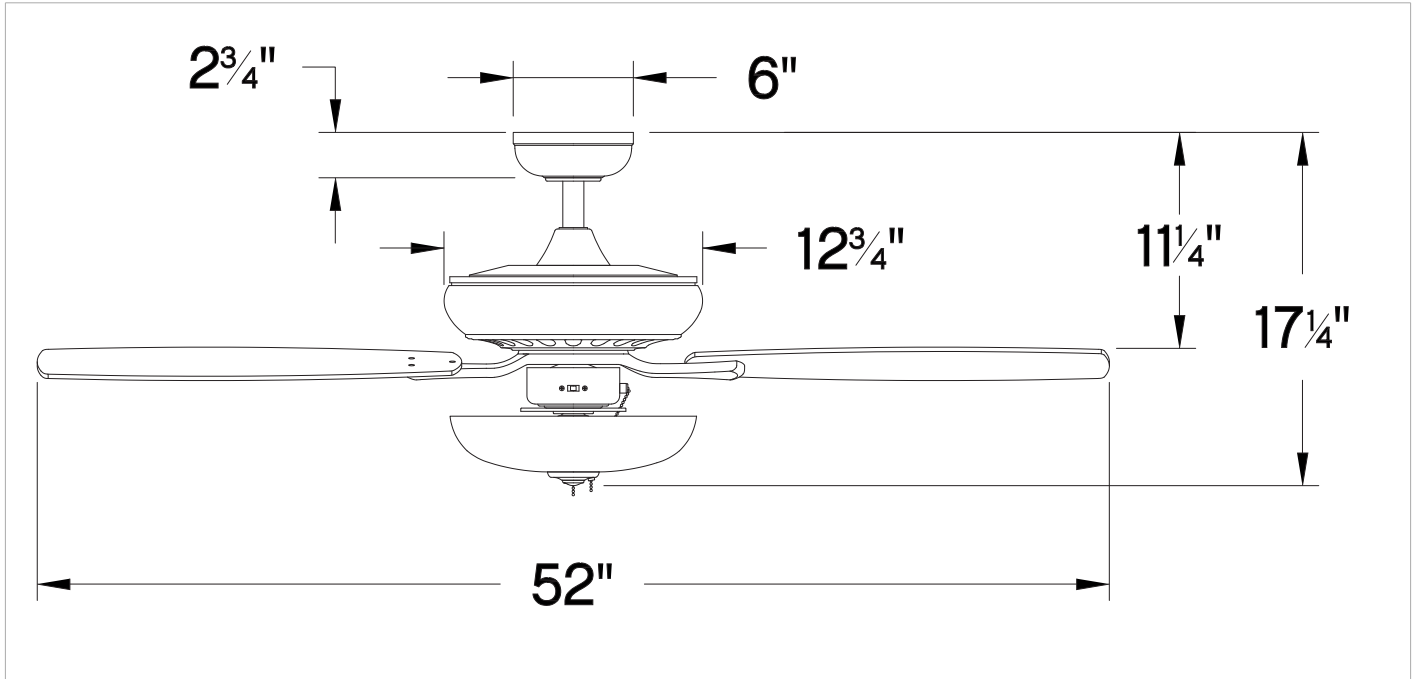
HINKLEY  
33000 Pin Oak Parkway  
Avon Lake, OH 44012

PHONE: (440) 653-5500  
Toll Free: 1 (800) 446-5539

[hinkley.com](http://hinkley.com)

# HIGHLAND 52" LED FAN

904152FBN-LIA



PERFORMANCE SPECIFICATIONS	STANDARD	
	HIGH SPEED	AVERAGE SPEED
Airflow	5091	3668
EnergyUse	68.8	44
EnergyCost	19	12
Efficiency	74	83
AMPS	0.58	0.43
RPMS	157	112

## AVERAGE PERFORMANCE AND ENERGY INFORMATION

### ENERGYGUIDE

Estimated  
Yearly Energy Cost

## \$12

Cost Range of Similar Models (19" – 84")

\$3 | | | \$34

• Based on 12 cents per kWh and 6.4 hours use per day

• Your cost depends on rates and use

• Energy Use: 44 Watts

Airflow

## 3,668

Cubic Feet Per Minute

• The higher the airflow, the more air the fan will move

• Airflow Efficiency: 83 Cubic Feet Per Minute Per Watt

All estimates based on typical use, excluding lights [ftc.gov/energy](http://ftc.gov/energy)

Airflow Shown Is a Weighted Average of High and Low Cubic Feet per Minute Based on Downrod

# HINKLEY

HINKLEY  
33000 Pin Oak Parkway  
Avon Lake, OH 44012

PHONE: (440) 653-5500  
Toll Free: 1 (800) 446-5539

[hinkley.com](http://hinkley.com)