



METRO

903352FMM-NIA

METRO 52" FAN

DETAILS	
FAN FINISH:	Metallic Matte Bronze
BLADE COUNT:	5

DIMENSIONS	
WIDTH:	52"
HEIGHT:	13.8"
TOP TO OUTLET:	0"

LIGHT SOURCE	
VOLTAGE:	120v

MOUNTING	
CANOPY:	6" Dia.
LEAD WIRE:	1 x 76"

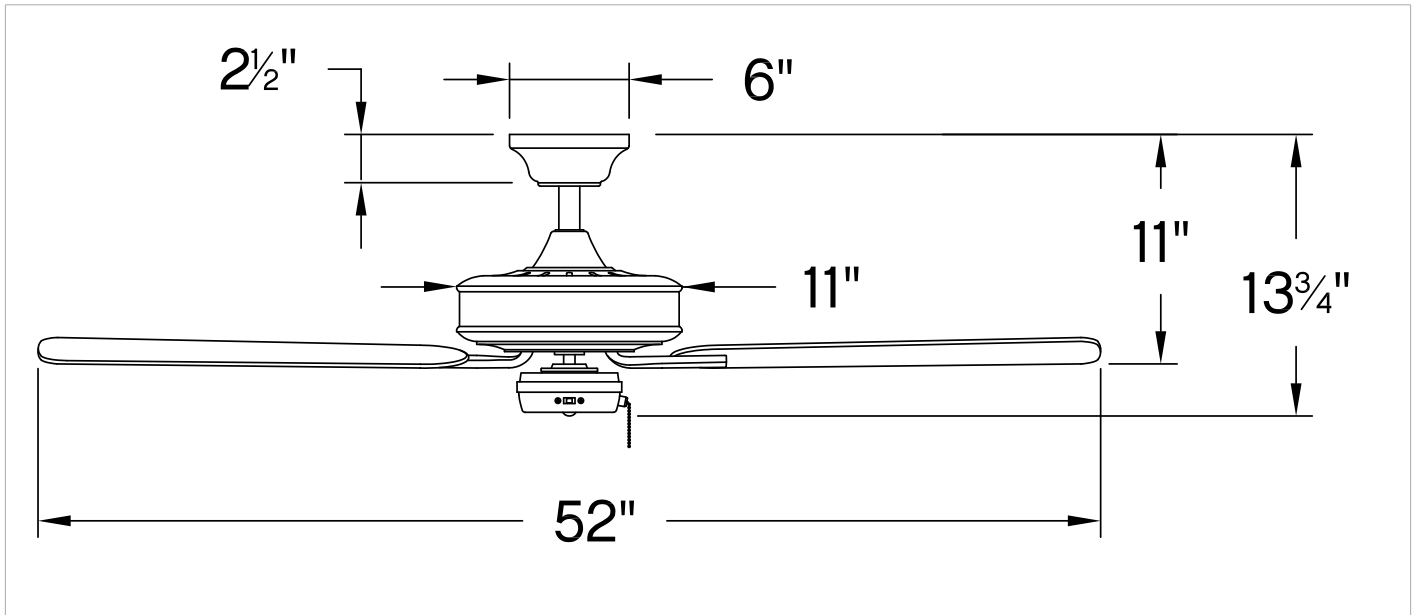
Metro evokes a sense of timeless tradition to interiors of all styles. Metro is available in Brushed Nickel with Silver or Matte Black blades, Chalk White with Chalk White or Weathered Wood blades, Matte Black with Matte Black or Walnut blades, Metallic Matte Bronze with Metallic Matte Bronze or Walnut blades. Metro is part of the Regency Collection.

PRODUCT DETAILS:

- This item includes a 4.5" down rod. Various lengths are available to customize the installation height.
- Suitable for use in dry (indoor) locations as defined by NEC and CEC. Meets United States UL Underwriters Laboratories & CSA Canadian Standards Association Product Safety Standards
- This item may be hung on a sloped ceiling
- Pull chain manual reverse, accessory controls available
- The Regency Series features a range of traditional ceiling fans designed to enhance a wide variety of spaces with ease.
- Fan mounts directly to canopy or with an included downrod for dual mount capability
- Each customizable blade offers two finish options; simply reverse the blade to select your preferred finish.
- Add a functional light kit to customize the look of the fan

METRO 52" FAN

903352FMM-NIA



PERFORMANCE SPECIFICATIONS	STANDARD		DUAL MOUNT	
	HIGH SPEED	AVERAGE SPEED	HIGH SPEED	AVERAGE SPEED
Airflow	4672	3189	4553	4553
EnergyUse	57.7	35	61.8	38
EnergyCost	16	10	17	11
Efficiency	81	90	73.7	86
AMPS	0.49	0.35	0.52	0.38
RPMS	154	105	162	36

AVERAGE PERFORMANCE AND ENERGY INFORMATION

ENERGYGUIDE

Estimated
Yearly Energy Cost

\$11

Cost Range of Similar Models (19" - 84")

\$3
|
|
 \$34

• Based on 12 cents per kWh and 6.4 hours use per day
• Your cost depends on rates and use
• Energy Use: 38 Watts

Airflow

3,513

Cubic Feet Per Minute

• The higher the airflow, the more air the fan will move
• Airflow Efficiency: 92 Cubic Feet Per Minute Per Watt

All estimates based on typical use, excluding lights ftc.gov/energy

Airflow Shown is a Weighted Average of High and Low Cubic Feet per Minute Based on Downrod