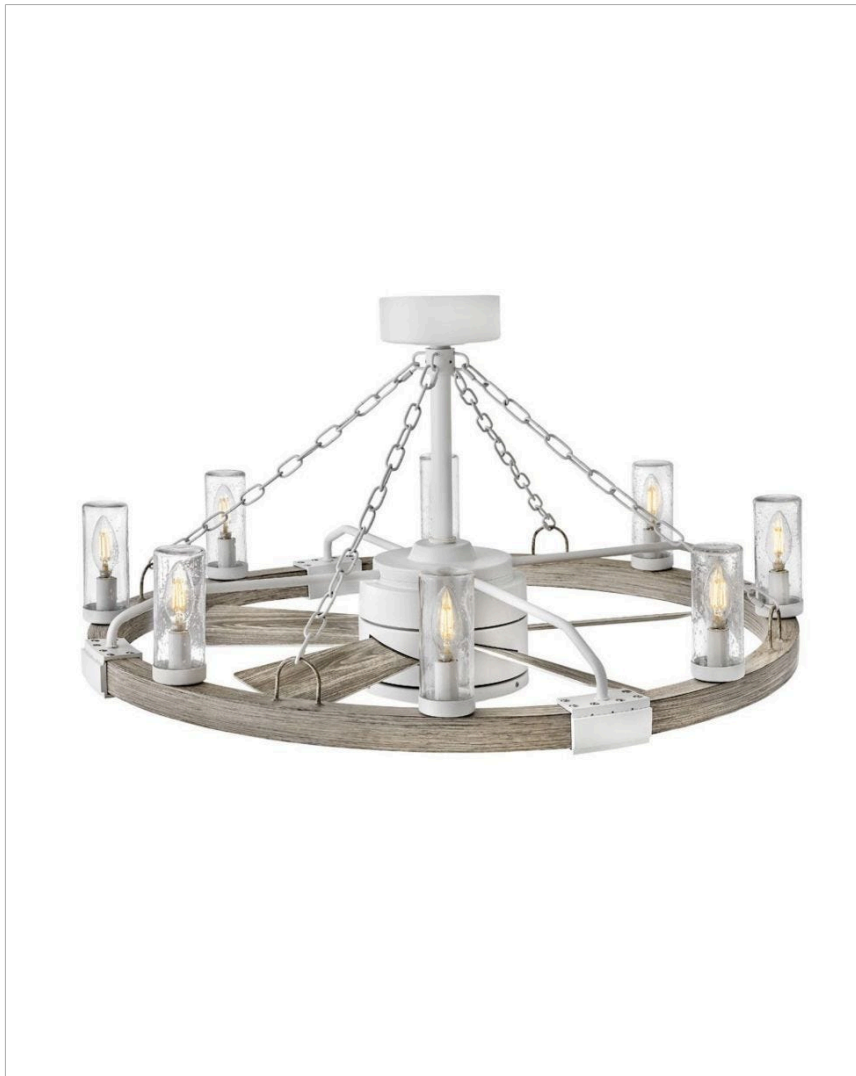


# SAWYER

902928FMW-LWD

SAWYER 36" WITH 28" LED FANDELIER



| DETAILS       |             |
|---------------|-------------|
| FAN FINISH:   | Matte White |
| GLASS:        | Clear Seedy |
| BLADE COUNT:  | 5           |
| SLOPE DEGREE: | 20          |

| DIMENSIONS |     |
|------------|-----|
| WIDTH:     | 36" |
| HEIGHT:    | 20" |

| LIGHT SOURCE |      |
|--------------|------|
| VOLTAGE:     | 120v |

| MOUNTING   |         |
|------------|---------|
| CANOPY:    | 6" Dia. |
| LEAD WIRE: | 1 X 76" |

The fresh, rustic design of Sawyer will inject any outdoor living experience with the warm, cozy ambiance of an indoor setting. Available in Metallic Matte Bronze with Sequoi, Matte White with Weathered Wood or Matte Black with Driftwood, Sawyer features composite blades. Sawyer is so versatile, it can be used for both indoor and outdoor spaces.

## PRODUCT DETAILS:

- This item includes one 12" and one 24" down rod. Other various lengths of down rods are available and sold separately to customize the installation height.
- Suitable for use in wet (interior direct splash and outdoor direct rain or sprinkler) locations as defined by NEC and CEC. Meets United States UL Underwriters Laboratories.
- This item may be hung on a sloped ceiling
- Meets California Energy Commission Title regulations/JA8 when using the included LED bulb
- Fan Control included, HIRO Control - 6 Speed Reversing
- WiFi compatibility with included fan control
- LED bulbs carry a 3-year limited warranty
- Motor carries a lifetime warranty

# HINKLEY

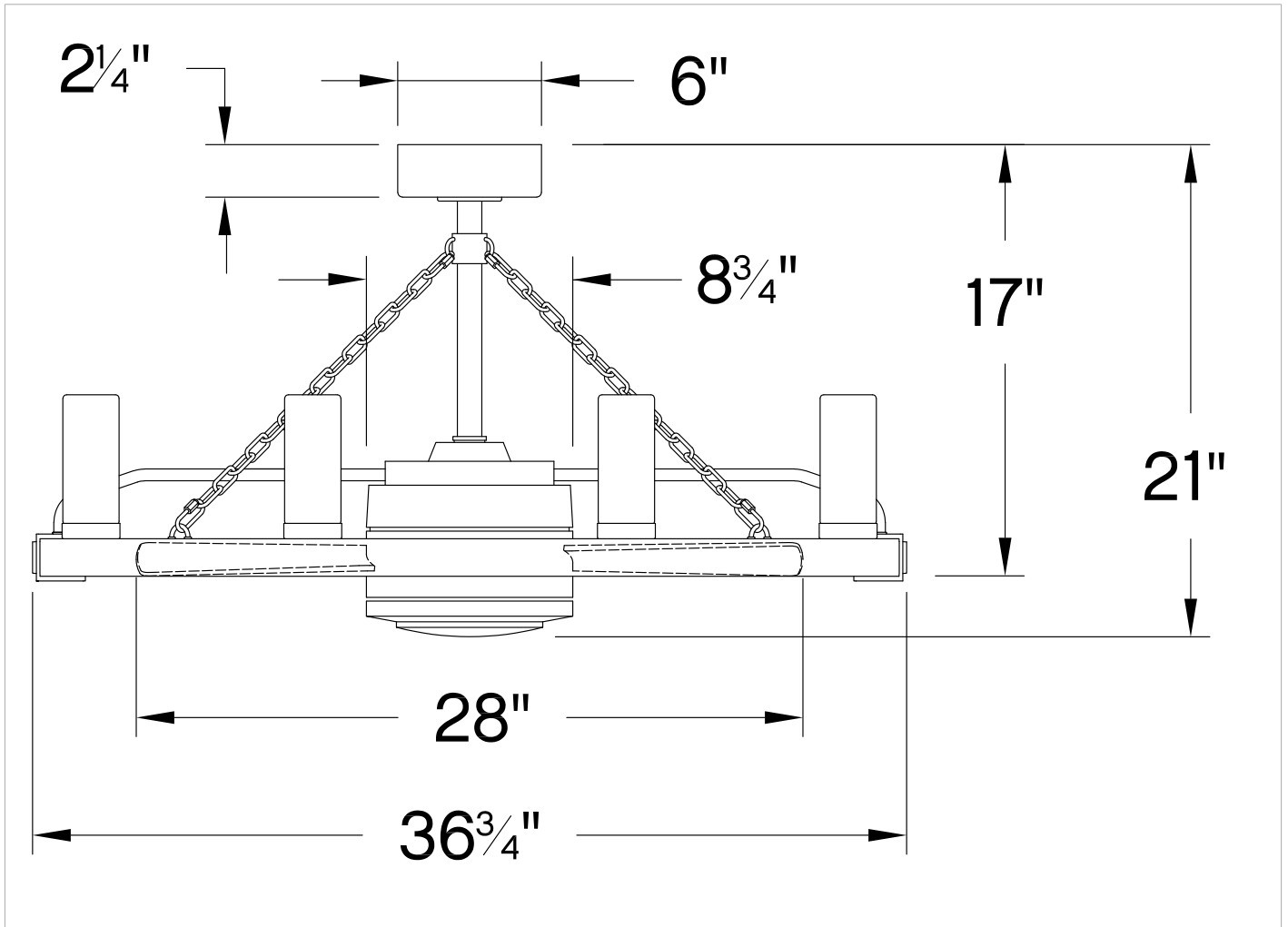
HINKLEY  
33000 Pin Oak Parkway  
Avon Lake, OH 44012

PHONE: (440) 653-5500  
Toll Free: 1 (800) 446-5539

[hinkley.com](http://hinkley.com)

# SAWYER 36" WITH 28" LED FANDELIER

902928FMW-LWD



| PERFORMANCE SPECIFICATIONS | STANDARD   |               |
|----------------------------|------------|---------------|
|                            | HIGH SPEED | AVERAGE SPEED |
| Airflow                    | 2432       | 1637          |
| EnergyUse                  | 10.7       | 8             |
| EnergyCost                 | 3          | 2             |
| Efficiency                 | 227        | 201           |
| AMPS                       | 0.19       | 0.12          |
| RPMS                       | 319        | 211           |

## AVERAGE PERFORMANCE AND ENERGY INFORMATION

**HINKLEY**

HINKLEY  
33000 Pin Oak Parkway  
Avon Lake, OH 44012

PHONE: (440) 653-5500  
Toll Free: 1 (800) 446-5539

hinkley.com

# ENERGYGUIDE

Estimated  
Yearly Energy Cost  
**\$2**

**\$3** | | | **\$34**

Cost Range of Similar Models (19" – 84")

- Based on 12 cents per kWh and 6.4 hours use per day
- **Your cost depends on rates and use**
- Energy Use: 8 Watts

Airflow  
**1,637**

Cubic Feet Per Minute

- The higher the airflow, the more air the fan will move
- Airflow Efficiency: 201 Cubic Feet Per Minute Per Watt

All estimates based on typical use, excluding lights

[ftc.gov/energy](http://ftc.gov/energy)

Airflow Shown is a Weighted Average of High and Low Cubic Feet per Minute Based on Downrod

# HINKLEY

HINKLEY  
33000 Pin Oak Parkway  
Avon Lake, OH 44012

PHONE: (440) 653-5500  
Toll Free: 1 (800) 446-5539

[hinkley.com](http://hinkley.com)