



# TREY

**902744FMM-LWD**

TREY 44" LED FAN

| DETAILS      |                       |
|--------------|-----------------------|
| FAN FINISH:  | Metallic Matte Bronze |
| GLASS:       | Etched Opal           |
| BLADE COUNT: | 3                     |

| DIMENSIONS |       |
|------------|-------|
| WIDTH:     | 44"   |
| HEIGHT:    | 11.8" |

| LIGHT SOURCE |      |
|--------------|------|
| VOLTAGE:     | 120v |

| MOUNTING   |        |
|------------|--------|
| CANOPY:    | 8" Dia |
| LEAD WIRE: | 1 X 8" |

Trey features a sleek flush mount design that packs a powerful punch. Its transitional style comes equipped with robust blades that seamlessly pair performance and precision. Trey is offered in versatile Brushed Nickel, Metallic Matte Bronze and Matte White finish options, and its integrated LED lighting and DC motor technology deliver excellent energy efficiency. A timeless etched opal light kit completes the look for a refined appearance. Trey is so versatile; it can be used for both indoor and outdoor spaces. Blades are included with every fan.

## PRODUCT DETAILS:

- Suitable for use in wet (interior direct splash and outdoor direct rain or sprinkler) locations as defined by NEC and CEC. Meets United States UL Underwriters Laboratories.
- Meets California Energy Commission 2013 & 2016 Title regulations/JA8
- Fan Control included, HIRO Control - 6 Speed Reversing
- WiFi compatibility with included fan control
- LED components carry a 5-year limited warranty
- Motor carries a lifetime warranty
- Blades, controls, switches, capacitors and hardware carry a 1 year warranty
- Merging the best of traditional and modern elements, with a sophisticated and streamlined look

# HINKLEY

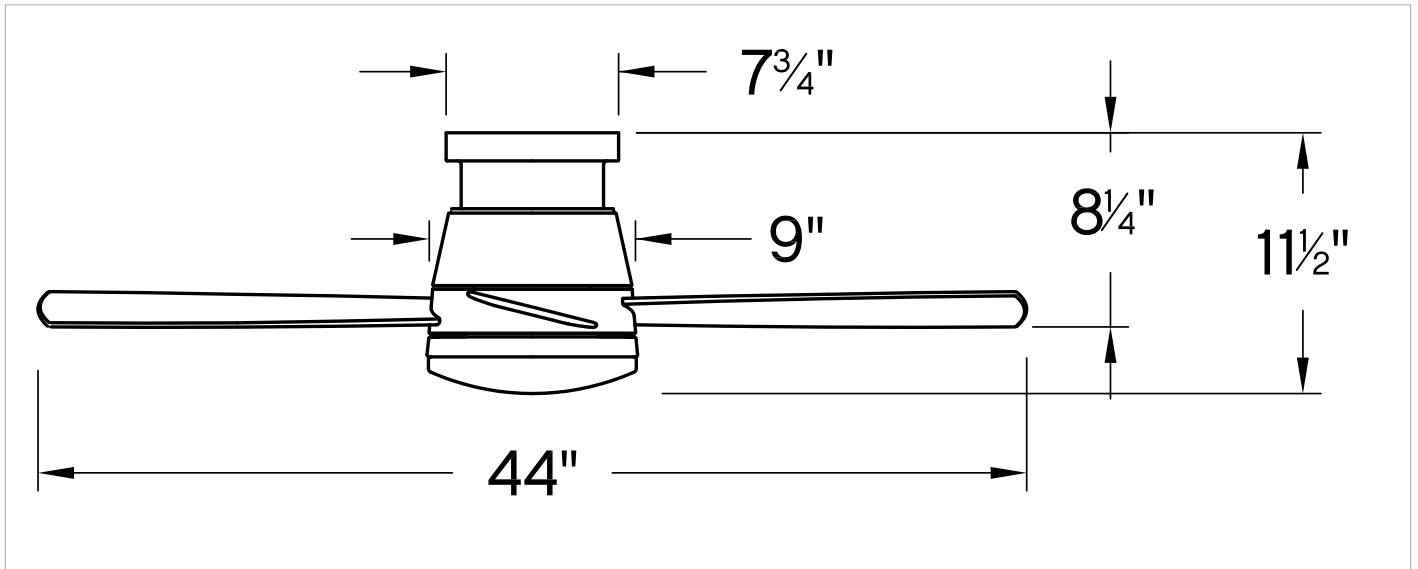
HINKLEY  
33000 Pin Oak Parkway  
Avon Lake, OH 44012

PHONE: (440) 653-5500  
Toll Free: 1 (800) 446-5539

[hinkley.com](http://hinkley.com)

# TREY 44" LED FAN

902744FMM-LWD



| PERFORMANCE SPECIFICATIONS | STANDARD   |               |
|----------------------------|------------|---------------|
|                            | HIGH SPEED | AVERAGE SPEED |
| Airflow                    | 4842       | 2918          |
| EnergyUse                  | 31.6       | 19            |
| EnergyCost                 | 9          | 5             |
| Efficiency                 | 152        | 154           |
| AMPS                       | 0.43       | 0.24          |
| RPMS                       | 260        | 153           |

**AVERAGE PERFORMANCE AND ENERGY INFORMATION**

## ENERGYGUIDE

Estimated Yearly Energy Cost

# \$5

Cost Range of Similar Models (19" - 84")

\$3 | | | \$34

• Based on 12 cents per kWh and 6.4 hours use per day  
• Your cost depends on rates and use  
• Energy Use: 19 Watts

Airflow

# 2,918

Cubic Feet Per Minute

• The higher the airflow, the more air the fan will move  
• Airflow Efficiency: 154 Cubic Feet Per Minute Per Watt

All estimates based on typical use, excluding lights      [ftc.gov/energy](http://ftc.gov/energy)

Airflow Shown Is a Weighted Average of High and Low Cubic Feet per Minute Based on Close to Ceiling