



VENTUS

902852FMW-LIA

VENTUS 52" LED FAN

DETAILS	
FAN FINISH:	Matte White
GLASS:	Etched Opal
BLADE COUNT:	3
SLOPE DEGREE:	20

DIMENSIONS	
WIDTH:	52"
HEIGHT:	13.3"

LIGHT SOURCE	
VOLTAGE:	120v

MOUNTING	
CANOPY:	6" Dia.
LEAD WIRE:	1 X 76"

Ventus is the ultimate transitional style guaranteed to cool and complement any interior space. Unique and reversible blades are constructed to ensure maximum performance, while its stylish Metallic Matte Bronze, Matte White and Pewter finish options deliver a sophisticated appearance. Ventus is equipped with integrated LED lighting technology to deliver excellent energy efficiency. Blades are included with every fan.

PRODUCT DETAILS:

- This item includes a 4.5" down rod. Other various lengths of down rods are available and sold separately to customize the installation height.
- Suitable for use in dry (indoor) locations as defined by NEC and CEC. Meets United States UL Underwriters Laboratories & CSA Canadian Standards Association Product Safety Standards
- Meets California Energy Commission 2013 & 2016 Title regulations/JA8
- This item may be hung on a sloped ceiling
- Each customizable blade offers two finish options; simply reverse the blade to select your preferred finish.
- Fan Control included, HIRO Control - 3 Speed Non-Reversing
- LED components carry a 5-year limited warranty
- Motor carries a lifetime warranty

HINKLEY

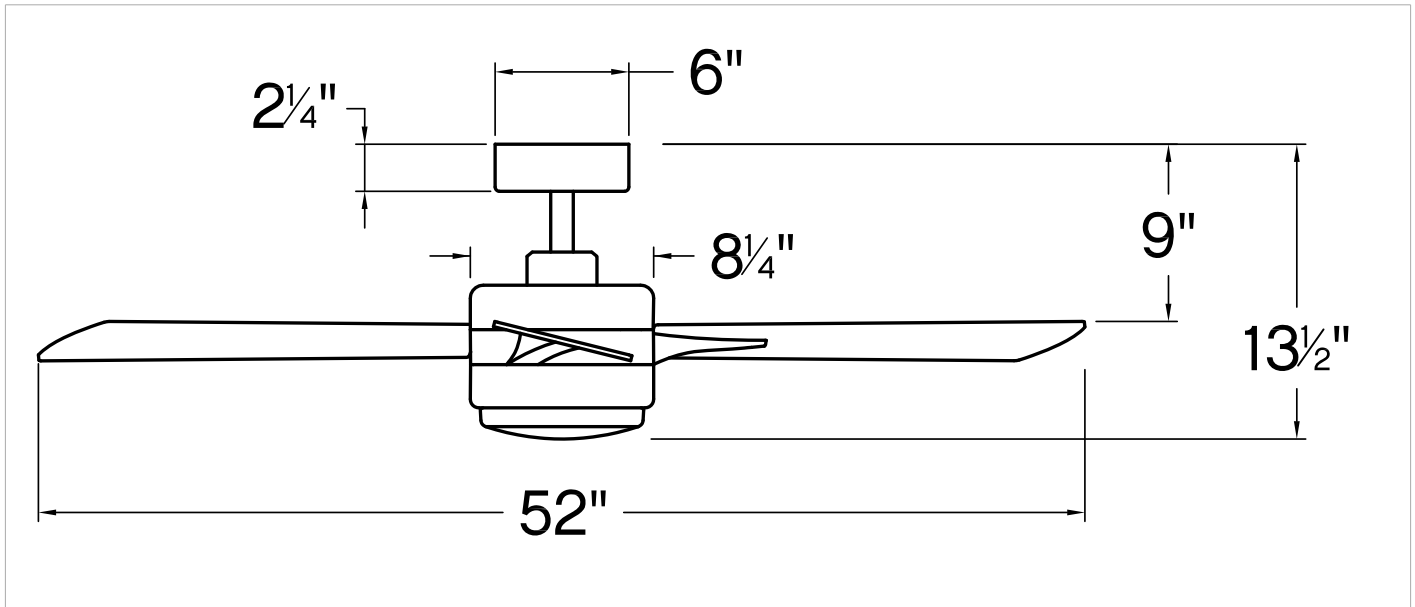
HINKLEY
33000 Pin Oak Parkway
Avon Lake, OH 44012

PHONE: (440) 653-5500
Toll Free: 1 (800) 446-5539

hinkley.com

VENTUS 52" LED FAN

902852FMW-LIA



PERFORMANCE SPECIFICATIONS	STANDARD	
	HIGH SPEED	AVERAGE SPEED
Airflow	4779	3551
EnergyUse	50.3	33.5
EnergyCost	14	9
Efficiency	95	105
AMPS	0.42	0.32
RPMS	187	124

AVERAGE PERFORMANCE AND ENERGY INFORMATION

ENERGYGUIDE

Estimated Yearly Energy Cost

\$9

Cost Range of Similar Models (19" – 84")

\$3 | | | \$34

- Based on 12 cents per kWh and 6.4 hours use per day
- Your cost depends on rates and use
- Energy Use: 34 Watts

Airflow

3,551

Cubic Feet Per Minute

- The higher the airflow, the more air the fan will move
- Airflow Efficiency: 105 Cubic Feet Per Minute Per Watt

All estimates based on typical use, excluding lights ftc.gov/energy

Airflow Shown is a Weighted Average of High and Low Cubic Feet per Minute Based on Downrod

HINKLEY

HINKLEY
33000 Pin Oak Parkway
Avon Lake, OH 44012

PHONE: (440) 653-5500
Toll Free: 1 (800) 446-5539

hinkley.com