



HOVER

900760FMB-LWD

HOVER 60" LED FAN

DETAILS	
FAN FINISH:	Matte Black
GLASS:	Etched Opal
BLADE COUNT:	3
SLOPE DEGREE:	23

DIMENSIONS	
WIDTH:	60"
HEIGHT:	17.3"

LIGHT SOURCE	
VOLTAGE:	120v

MOUNTING	
CANOPY:	6" Dia.
LEAD WIRE:	1 X 76"

Clean and sleek, Hover is a stunning modern upgrade for any project. Available in Brushed Nickel, Graphite, Matte White or Matte Black, Hover comes equipped with integrated LED lighting and DC motor technology to deliver excellent energy efficiency. Hover is impressively designed to be used for both indoor and outdoor spaces.

PRODUCT DETAILS:

- This item includes a 6" down rod. Other various lengths of down rods are available and sold separately to customize the installation height.
- Suitable for use in wet (interior direct splash and outdoor direct rain or sprinkler) locations as defined by NEC and CEC. Meets United States UL Underwriters Laboratories.
- This item may be hung on a sloped ceiling
- Fan Control included, HIRO Control - 6 Speed Reversing
- WiFi compatibility with included fan control
- LED components carry a 5-year limited warranty
- Motor carries a lifetime warranty
- Blades, controls, switches, capacitors and hardware carry a 1 year warranty

HINKLEY

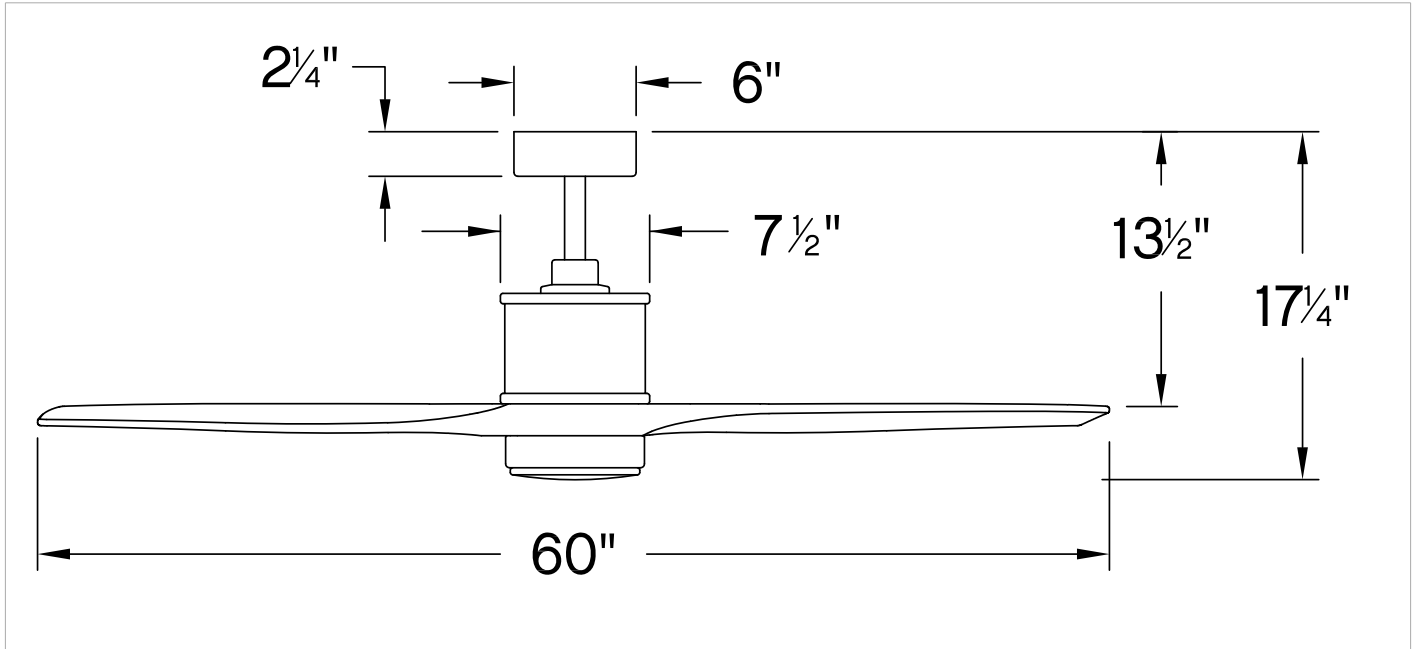
HINKLEY
33000 Pin Oak Parkway
Avon Lake, OH 44012

PHONE: (440) 653-5500
Toll Free: 1 (800) 446-5539

hinkley.com

HOVER 60" LED FAN

900760FMB-LWD



PERFORMANCE SPECIFICATIONS	STANDARD	
	HIGH SPEED	AVERAGE SPEED
Airflow	7118	4714
EnergyUse	28.5	18
EnergyCost	8	5
Efficiency	249	267
AMPS	0.37	0.21
RPMS	150	98

AVERAGE PERFORMANCE AND ENERGY INFORMATION

ENERGYGUIDE

Estimated Yearly Energy Cost

\$5

Cost Range of Similar Models (19" – 84")

\$3 | | | \$34

• Based on 12 cents per kWh and 6.4 hours use per day
 • Your cost depends on rates and use
 • Energy Use: 18 Watts

Airflow

4,714

Cubic Feet Per Minute

• The higher the airflow, the more air the fan will move
 • Airflow Efficiency: 267 Cubic Feet Per Minute Per Watt

All estimates based on typical use, excluding lights ftc.gov/energy

Airflow Shown is a Weighted Average of High and Low Cubic Feet per Minute Based on Downrod

HINKLEY

HINKLEY
 33000 Pin Oak Parkway
 Avon Lake, OH 44012

PHONE: (440) 653-5500
 Toll Free: 1 (800) 446-5539

hinkley.com