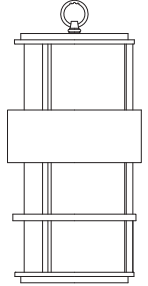
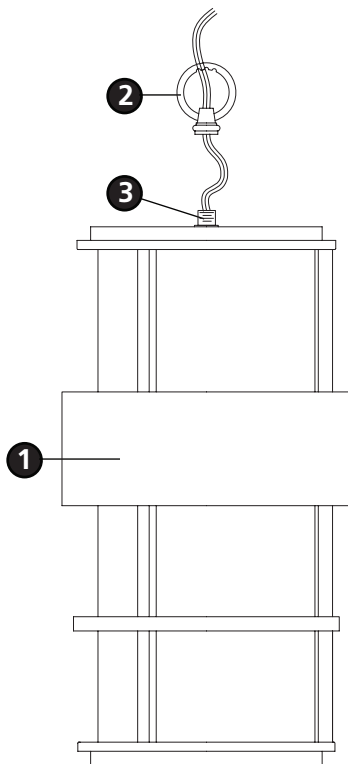


Family: Saturn | Item No. 1902 OI/MT/VK



Drawing 1 - Fixture Assembly



▼ start here

1

1. Find a clear area in which you can work.
2. Unpack fixture and glass from carton.
3. Carefully review instructions prior to assembly.

***** The construction of this fixture will be accomplished by first assembling the fixture, installing the mounting strap, making all necessary wiring connections, and then hanging the fixture.**

SAFETY WARNING: READ WIRING AND GROUNDING INSTRUCTIONS (I.S. 18) AND ANY ADDITIONAL DIRECTIONS. TURN POWER SUPPLY OFF DURING INSTALLATION. IF NEW WIRING IS REQUIRED, CONSULT A QUALIFIED ELECTRICIAN OR LOCAL AUTHORITIES FOR CODE REQUIREMENTS.

2

1. To assemble fixture, slip loop **(2)** along wire and thread onto nipple **(3)** located at the top of the main body assembly **(1)**.
2. Fixture can now be lamped accordingly.
3. Please refer to the hanging instruction sheet **(I.S. 19)** provided to hang this fixture.

Note: Maximum wattage for 1902 fixture is 100 watts per bulb.

2.7.08