

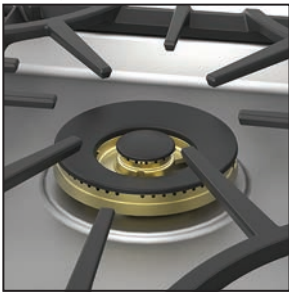
STANDARD FEATURES



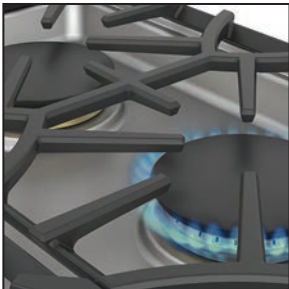
GAS COOKTOPS

- Sealed dual-flame center power burner provides 20,000 Btu/hour of high-performance cooking power.
- 36" Model: 20,000 Btu center burner with four 15,000 Btu front and back burners (total of 80,000 Btu).
- 30" Model: 20,000 Btu center burner with two 8,000 Btu front and two 10,500 Btu back burners (total of 57,000 Btu).

20,000 Btu sealed center burner



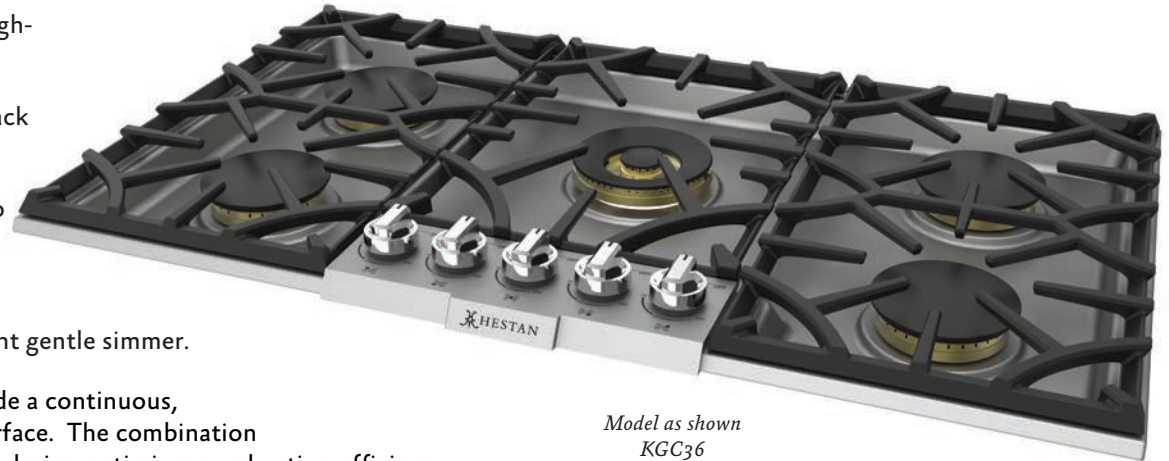
Gentle simmer flame



Back-lit knobs



- Pro-Simmer allows for a precise, consistent gentle simmer.
- Custom heavy-duty cast-iron grates provide a continuous, uninterrupted and maximized cooking surface. The combination of the sealed burner and burner bowl, the design optimizes combustion efficiency to produce top cooking performance.
- Unique heavy duty, stainless steel, completely water-tight sealed, burner pan allows for ease of cleaning.
- Robust electronic ignition/re-ignition capability to provide safety and proper gas ignition. Ignitor will continue to spark until the burner flame is established, and re-ignite in the case of flame blow out.
- Elegantly backlit cooktop control knobs add functionality and unique illumination. Special red illumination function smartly indicates burner/grate is still hot.
- Zamak die-cast rangetop control knobs.
- Beautifully contoured Hestan signature control panel.
- Available in 36" wide and 30" wide 5-burner configurations.
- Ships as Natural Gas (NG) unit, but includes LP conversion kit.

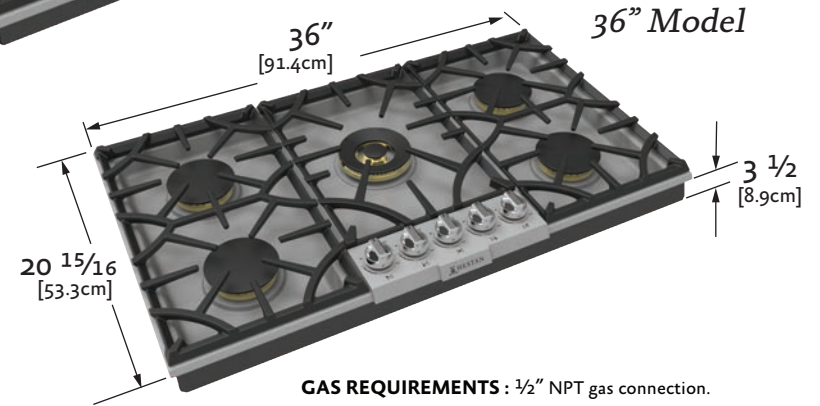
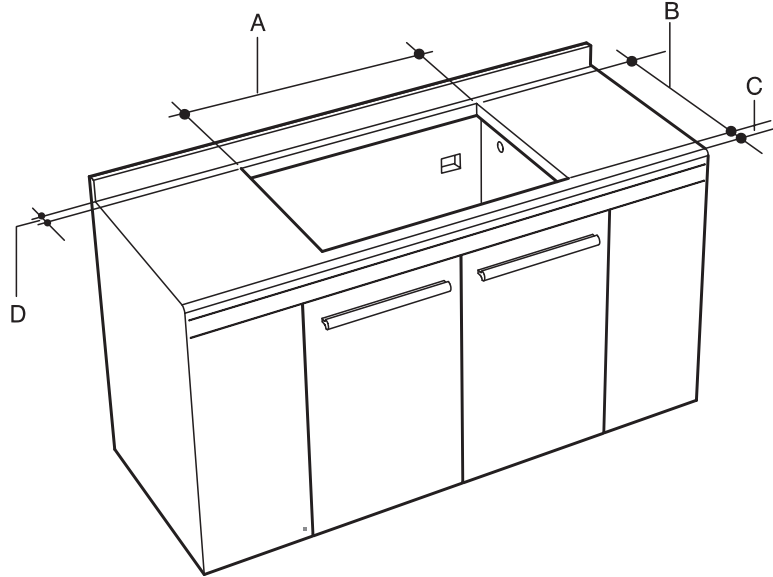


Model as shown
KGC36

OPTIONS & ACCESSORIES

- Ships with LP gas conversion kit

Cutout Requirements



Cooktop Size	A	B	C	D
30"	MIN 28-1/2" [72.4 cm] MAX 29" [73.7 cm]	MIN 19-1/2" [49.5 cm] MAX 19-5/8" [49.8 cm]	MIN 2" [5.0 cm]	MIN 3-1/2" [9.0 cm]
36"	MIN 34-1/2" [87.6 cm] MAX 35" [88.9 cm]	MIN 19-1/2" [49.5 cm] MAX 19-5/8" [49.8 cm]	MIN 2" [5.0 cm]	MIN 3-1/2" [9.0 cm]

GAS REQUIREMENTS : 1/2" NPT gas connection. Minimum gas supply is 7" water column for natural gas and 11" for propane. Operating pressure at the manifold is 5" water column for natural gas and 10" for propane. All units require a regulated gas supply. (included)

ELECTRICAL REQUIREMENTS : 120V, 60Hz, 15 amps



Hestan Indoor products are approved for indoor use only. Hestan Commercial Corporation reserves the right to change materials and specifications without notice. Specify type of gas when ordering.

Models	Description	Cutout Dimensions		Total Btu's	Circuit Breaker Req	Approx SHP WT (lbs)
		W (in.)	D (in.)			
KGC30	30" Gas Cooktop	28-1/2" to 29"	19-1/2" to 19-5/8"	57,000	15 Amp	69
KGC36	36" Gas Cooktop	34-1/2" to 35"	19-1/2" to 19-5/8"	80,000	15 Amp	75



CONTACT US: www.hestanhome.com phone 888.905.7463 3375 E. La Palma Ave., Anaheim, CA 92806