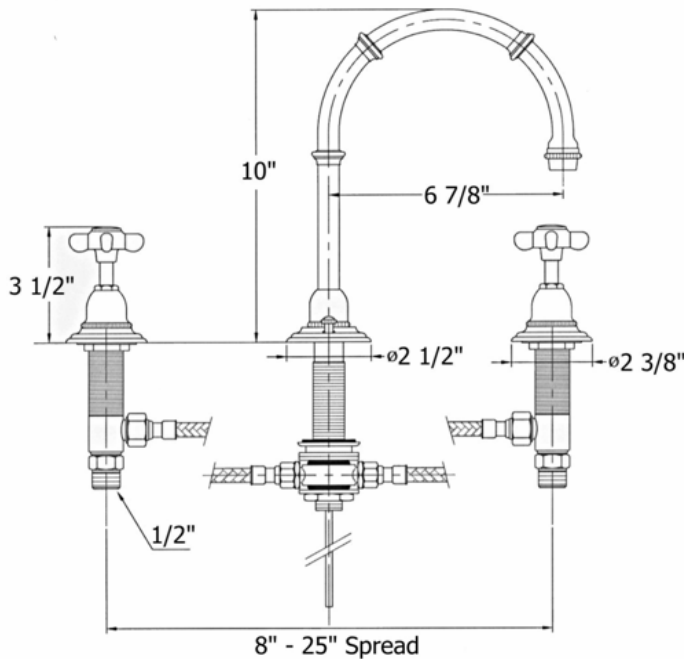


3202 – 'Royale' High Arc Lavatory Set



Technical Information

- Requires 1 ¼" hole drilling
- Flow rate is 2.2 GPM
- ½" ceramic valves
- 8" –25" spread
- Swiveling spout
- Includes 1 ¼" pop up drain assembly
- Available finishes are Polished Chrome(**48**), SoliBrass(**49**), Polished Brass(**55**), Polished Nickel(**56**), Satin Nickel(**60**), Weathered Brass(**70**)
- Please see cleaning instructions for finish care and maintenance information.

Part #	Description
01	Ceramic Insert
02	Double Side Adhesive
03	Handle Screw
04	Handle Washer
05	Cross Handle
06	Handle Stem
07	Bell Escutcheon
10	Deck Escutcheon
11	Rubber O-ring
12	Rubber O-ring
13	Metal Washer
14	Brass Mounting Nut
15	Valve Body
16	Fiber Washer
17	½" Male Adapter
19	Flexible Hose
20	'T' Piece
21	Brass Nut
22	Metal Ring
23	Rubber O-ring
24	Brass Nut
25	Metal Ring
26	Finished Stem
27	Rubber O-rings
28	Spout
29	Pop Up Knob
30	Pop Up Rod
31	Spout Bell Escutcheon
32	Nylon Clip
85	Royale Cartridge

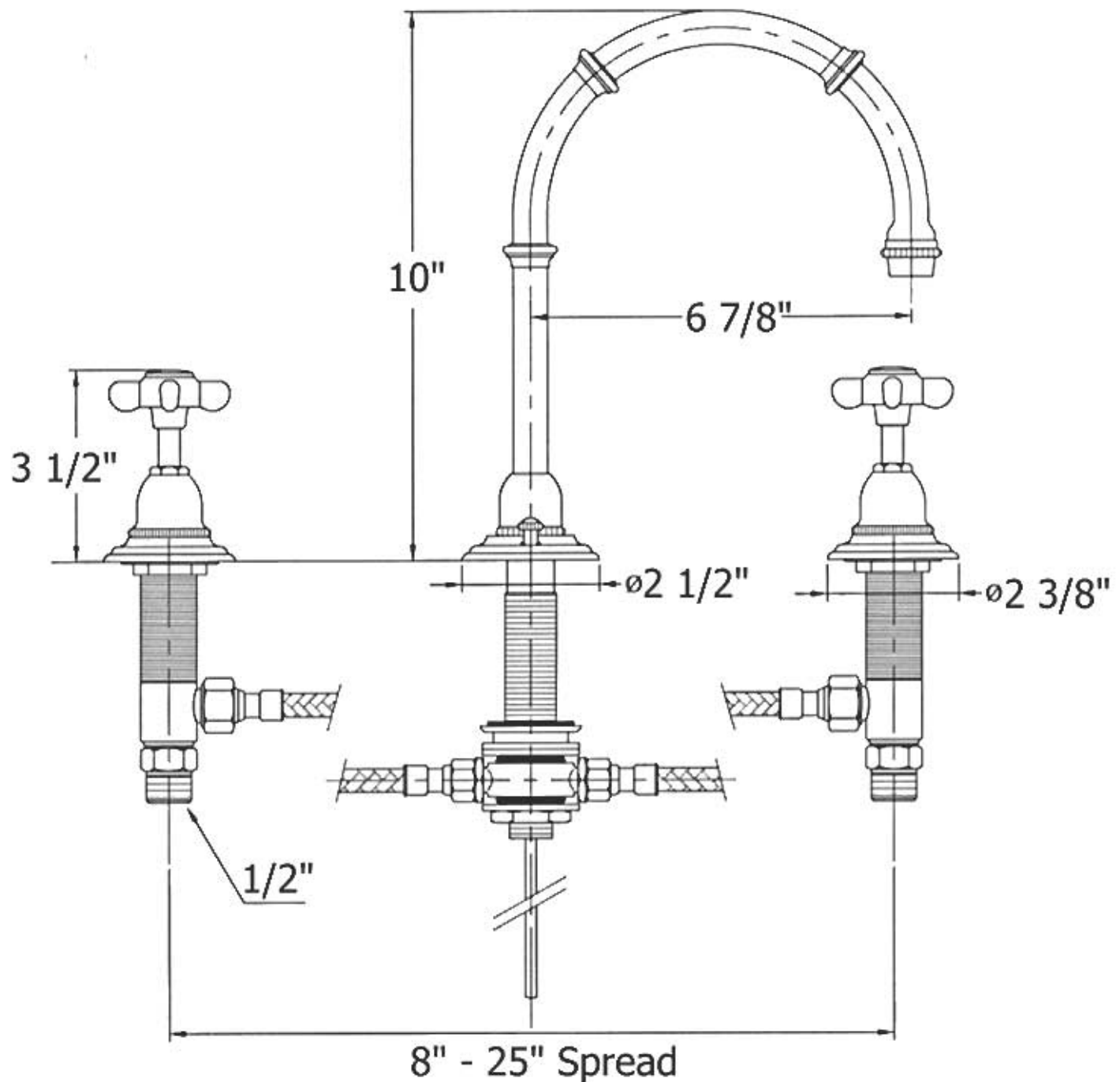
Please follow example when ordering parts for 'Royale' Lav. Set.

- To order part#01 – **Ceramic Insert**
 - 9320201xx
- Please substitute finish number needed in place of **xx**.
- To order a part that is not finished use **00**



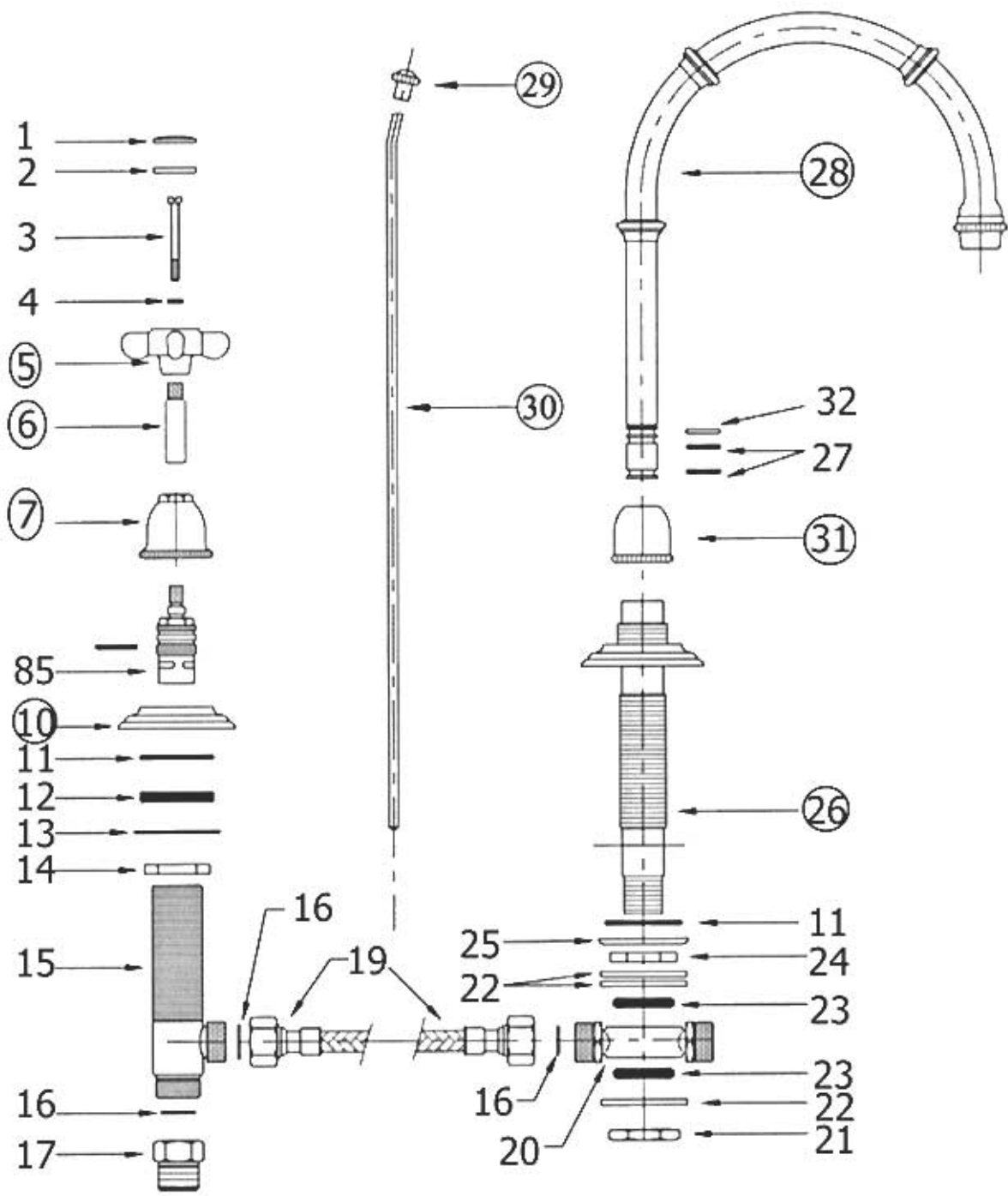
Herbeau
L'Art du Sanitaire depuis 1857

3202 - 'Royale' High Arc Lavatory Set



Hole Drilling = 1 1/4"

3202 - 'Royale' High Arc Lavatory Set



○ - Finished Pieces