

# Motion Activated DECORATIVE LIGHTING

Heath®/Zenith

SPECIFICATION SHEET

Model # **SL-4135**



Available Colors: Black (SL-4135-BK)  
and Oil Rubbed Bronze (SL-4135-OR)

## SPECIFICATIONS

### Power Supply

- 120VAC, 60 Hz

### Wires

- AWG#18 (UL Recognized)

### Max Load

- Up to 60 Watts Incandescent, Medium Base

### Operating Temperature

- -22° F to +120° F

### Sensor Capacity

- Up to 360 Watts (3.0 A) Maximum Incandescent

### Range

- Detects motion up to 30 Feet

### Operating Modes

- TEST, AUTO/ACCENT, MANUAL

### ON-Timer

- TEST, 1, 5 or 10 Minutes

### DUALBRITE® Timer

- OFF, 3 hours, 6 hours or dusk-to-dawn

### Dimensions

W: 4.5"

D: 6.75"

H: 11.125"



### Features

- Seeded glass
- Metal, weather resistant finish
- 150° motion detection angle
- Selectable on-time from 1, 5 or 10 minutes
- Adjustable sensitivity
- 2 Year Warranty

### Applications

- Porch
- Garage
- Breezeway

### Operating Modes

**TEST:** Overrides the photocell to allow the light to be setup during daylight hours.

**AUTO/ACCENT:** Lights automatically come on when motion is detected and then dim to 50% brightness when DUAL-BRITE® is turned on.

**MANUAL:** Lights stay on full bright until dawn. Photocell then resets light to AUTO mode.

### DUALBRITE® Timer

Dims light to 50% power for accent lighting. There are 3 preset selections for the amount of time the lights stay on: 3 hours after dusk, 6 hours after dusk, or dusk-to-dawn. Can also be turned OFF.

### ON-Timer

Turns lights on full bright when motion is detected. There are 4 preset selections for the amount of time the lights stay on: Test (5 seconds), 1, 5 or 10 minutes.

### Adjustable Sensitivity

You can adjust the motion sensor's sensitivity to movement of heat.



Meets the ENERGY STAR® guidelines when DUALBRITE® function is off.

JOB #

JOB NAME

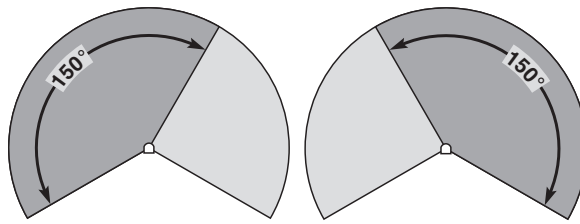
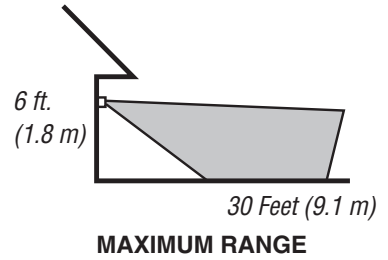
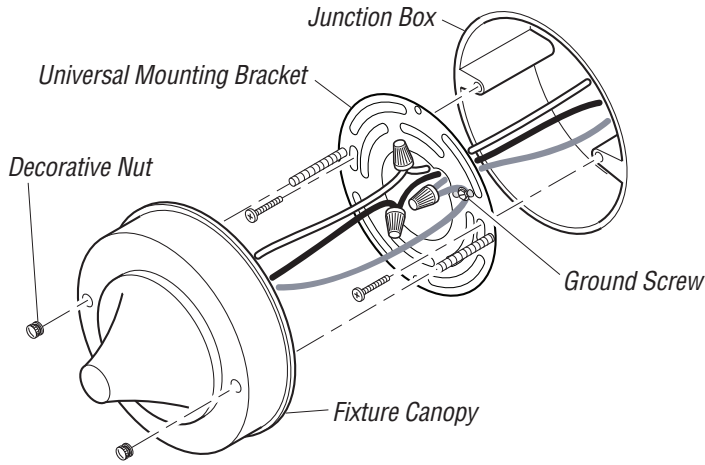
**HeathCo™**

2445 Nashville Road  
P.O. Box 90045  
Bowling Green, KY 42102-9045

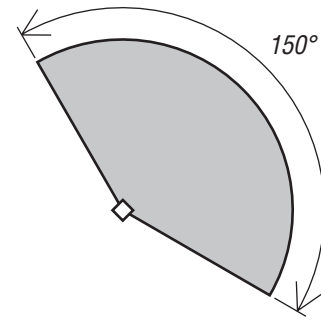
Tech Service (800) 858-8501  
Sales (270) 846-8400  
Fax (270) 846-8501

[www.heath-zenith.com](http://www.heath-zenith.com)

**USAGE & COVERAGE**



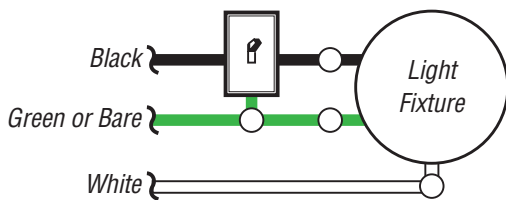
ROTATING SENSOR HEAD TO CHANGE COVERAGE AREA



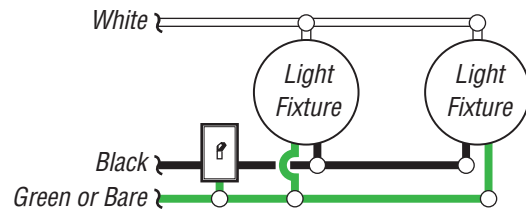
COVERAGE ANGLE (TOP VIEW)

**WIRING**

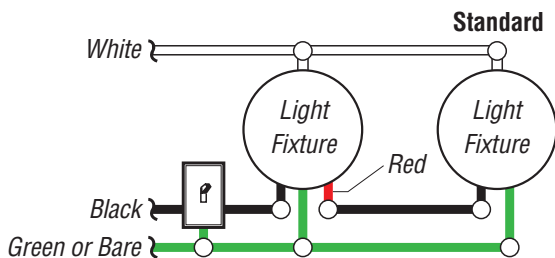
**!** WARNING: Turn power off at the circuit breaker before wiring.



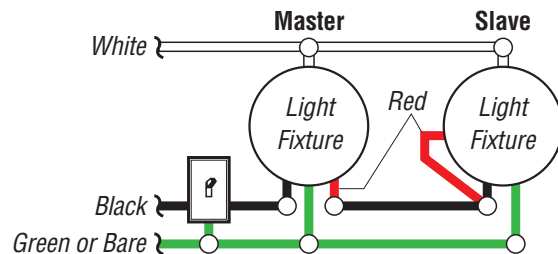
ONE MOTION SENSING LIGHT



TWO MOTION SENSING LIGHTS (WORKING INDEPENDENTLY)



WIRING MOTION SENSING LIGHT TO CONTROL STANDARD FIXTURE



WIRING MOTION SENSING LIGHT TO CONTROL ANOTHER MOTION SENSING LIGHT