

# Wireless Door Chime Kit

## BATTERY POWERED

Heath®/Zenith

SPECIFICATION SHEET

Model # **SL-6505**



Model # **SL-6505-SN**



### Kit Includes

- (1) Battery-operated wireless chime
- (1) Wireless push button
- (1) 12V "A23" battery for push button
- (1) Hardware pack

### Transmission Range

- Model: SL-6505 – Up to 130 feet
- Model: SL-6505-SN – Up to 115 feet

### Color

- SL-6505 Chime: White
- SL-6505-SN Chime: Satin Nickel
- Push Button: White (both models)

### Front Door Sound

- 2-Note genuine bell sound

### Additional Entrance Sound

- 1-Note ding

### Dimensions

- Chime: 4.5" wide x 1.75" deep x 6" high
- Push Button: 0.875" wide x 1.0" deep x 3.125" high

### Battery Life

- Chime: 1 year
- Push Button: 1 year

### Warranty

- 1 Year

All Heath®/Zenith wireless door chimes and push buttons are compatible in order to create the system you need.

## SPECIFICATIONS

### Power Supply

- Chime: (4) – "C" batteries (not included)
- Push Button: (1) – 12V "A23" battery (included)

### Chime Base

- Mechanical tone bars

### Security Codes

- 128 selectable

### RF Frequency

- 315 MHz

JOB #

JOB NAME

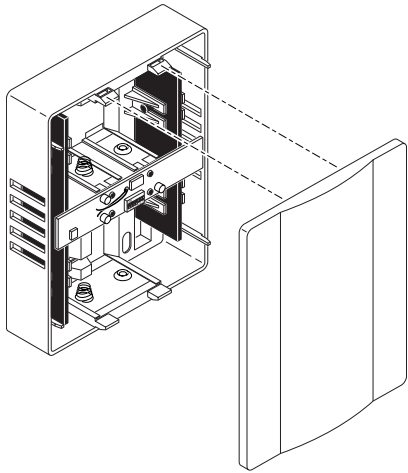
**HeathCo™**

2445 Nashville Road  
P.O. Box 90045  
Bowling Green, KY 42102-9045

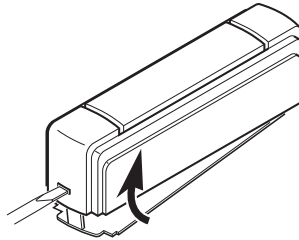
Tech Service (800) 858-8501  
Sales (270) 846-8400  
Fax (270) 846-8501

[www.heath-zenith.com](http://www.heath-zenith.com)

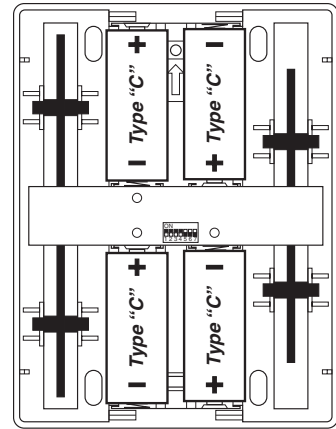
**INSTALLATION**



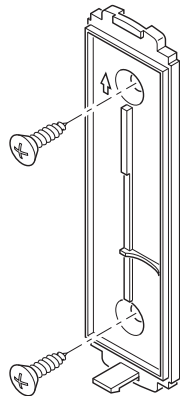
**Open Chime Case**



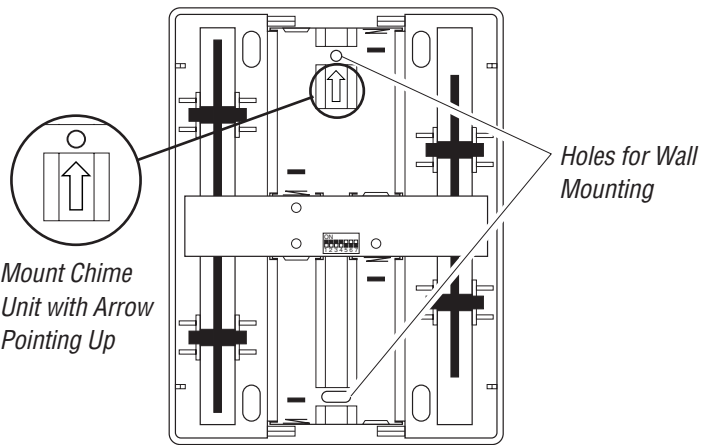
**Open Push Button**



**Chime Battery Installation**



**Push Button Installation**



*Mount Chime Unit with Arrow Pointing Up*

*Holes for Wall Mounting*

**Chime Installation**