

Wireless Flashing Strobe Chime Kit PLUG-IN

Heath®/Zenith

SPECIFICATION SHEET

Model # **SL-6144**



SPECIFICATIONS

Power Supply

- Chime: 120VAC – 60Hz
- Push Button: 12V “A23” battery (included)

Chime Base

- Electronic with speaker

Security Codes

- 128 selectable

RF Frequency

- 315 MHz

“This chime meets the requirements for ADA section 9.3.1 – Visual Alarms, Notifications Series, and Telephones.”



Kit Includes

- (1) Plug-in wireless chime
- (1) Wireless push button
- (1) 12V “A23” battery for push button
- (1) Hardware pack

Transmission Range

- Up to 100 feet

Color

- Chime: White
- Push Button: White

Strobe Flash

- Light flashes in sequence to the front door melody

Front Door Sound

- 8-Note Westminster or 2-Note ding-dong
- 75 Decibel maximum
- Adjustable volume

Additional Entrance Sound

- 1-Note ding

Dimensions

- Chime: 3.5" wide x 1.75" deep x 4.625" high
- Push Button: 1.0" wide x 0.875" deep x 3.0" high

Battery Life

- Push Button: 1 year

Warranty

- 1 Year

Patents

- U.S. 5,576,690
- CAN 2,145,059
- Mexico 1,977,448

All Heath®/Zenith wireless door chimes and push buttons are compatible in order to create the system you need.

JOB #

JOB NAME

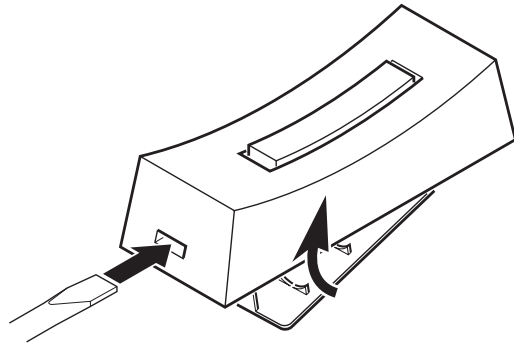
HeathCo™

2445 Nashville Road
P.O. Box 90045
Bowling Green, KY 42102-9045

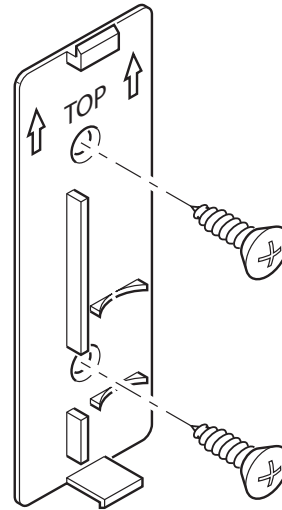
Tech Service (800) 858-8501
Sales (270) 846-8400
Fax (270) 846-8501

www.heath-zenith.com

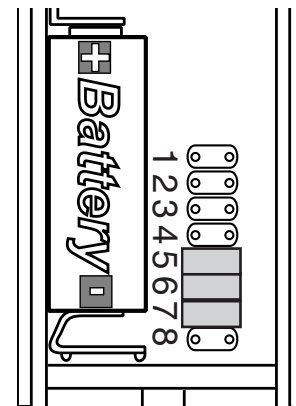
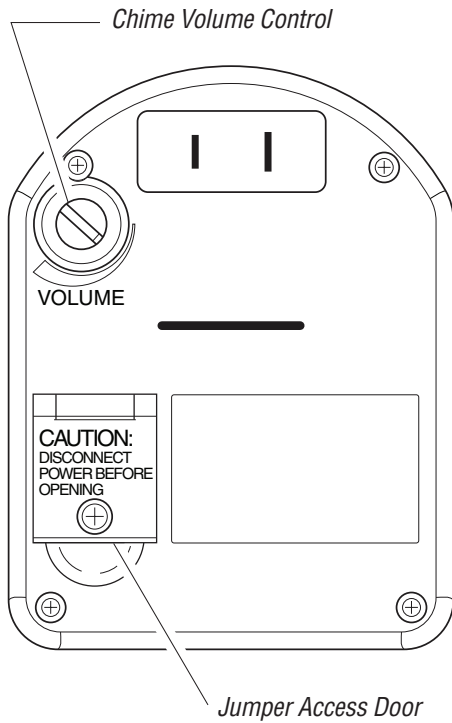
INSTALLATION



Open Push Button



Push Button Installation



Push Button Battery Installation