

Motion Activated DECORATIVE LIGHTING

Heath®/Zenith

SPECIFICATION SHEET

Model # **SL-4133**



Available Colors: Oil Rubbed Bronze (SL-4133-OR)
and Silver (SL-4133-SV)

SPECIFICATIONS

Power Supply

- 120VAC, 60 Hz

Wires

- AWG#18 (UL Recognized)

Max Load

- Up to 60 Watts Incandescent, Medium Base

Operating Temperature

- -22° F to +120° F

Sensor Capacity

- Up to 500 Watts (3.0 A) Maximum Incandescent

Range

- Detects motion up to 30 Feet

Operating Modes

- TEST, AUTO, MANUAL

ON-Timer

- TEST, 1, 5 or 10 Minutes

Dimensions

W: 4.5"

D: 6.75"

H: 11.125"



Features

- Seeded glass
- Metal, weather resistant finish
- 150° motion detection angle
- Selectable on-time from 1, 5 or 10 minutes
- Adjustable sensitivity
- 2 Year Warranty

Applications

- Porch
- Garage
- Breezeway

Operating Modes

TEST: Overrides the photocell to allow the light to be setup during daylight hours.

AUTO: Lights automatically come on when motion is detected.

MANUAL: Lights stay on full bright until dawn. Photocell then resets light to AUTO mode.

ON-Timer

Turns lights on full bright when motion is detected. There are 4 preset selections for the amount of time the lights stay on: Test (5 seconds), 1, 5 or 10 minutes.

Adjustable Sensitivity

You can adjust the motion sensor's sensitivity to movement of heat.



JOB #

JOB NAME

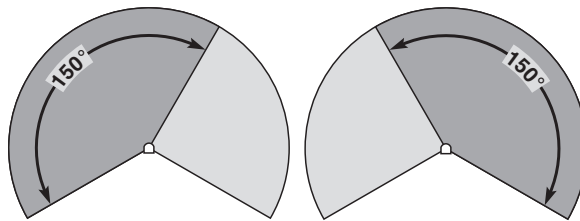
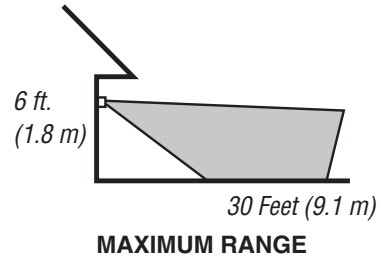
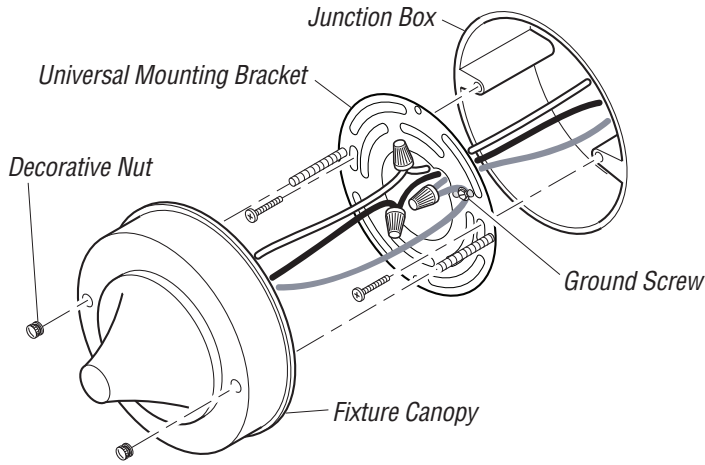
HeathCo™

2445 Nashville Road
P.O. Box 90045
Bowling Green, KY 42102-9045

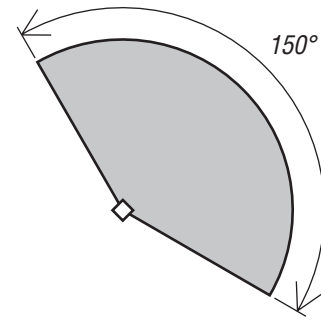
Tech Service (800) 858-8501
Sales (270) 846-8400
Fax (270) 846-8501

www.heath-zenith.com

USAGE & COVERAGE



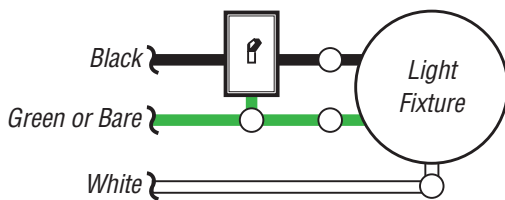
ROTATING SENSOR HEAD TO CHANGE COVERAGE AREA



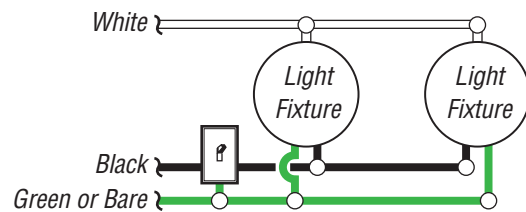
COVERAGE ANGLE (TOP VIEW)

WIRING

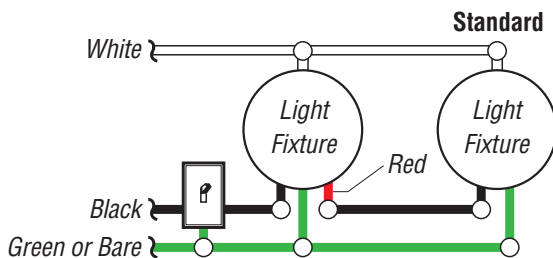
! WARNING: Turn power off at the circuit breaker before wiring.



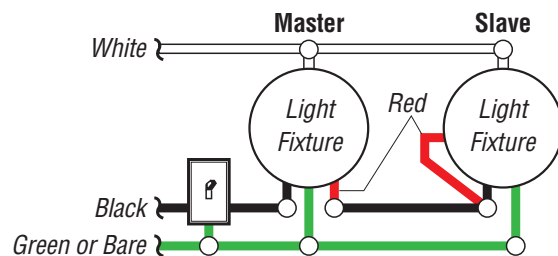
ONE MOTION SENSING LIGHT



TWO MOTION SENSING LIGHTS (WORKING INDEPENDENTLY)



WIRING MOTION SENSING LIGHT TO CONTROL STANDARD FIXTURE



WIRING MOTION SENSING LIGHT TO CONTROL ANOTHER MOTION SENSING LIGHT