

Motion Activated DECORATIVE LIGHTING

Heath®/Zenith

SPECIFICATION SHEET

Model # **SL-4127-BK**



Black Finish

SPECIFICATIONS

Power Supply

- 120VAC, 60 Hz

Wires

- AWG#18 (UL Recognized)

Max Load

- Up to 100 Watts Incandescent, Medium Base

Operating Temperature

- -22° F to +120° F

Sensor Capacity

- Up to 360 Watts (3.0 A) Maximum Incandescent

Range

- Detects motion up to 30 Feet

Operating Modes

- TEST, AUTO/ACCENT, MANUAL

ON-Timer

- TEST, 1, 5 or 10 Minutes

DUALBRITE® Timer

- OFF, 3 hours, 6 hours or dusk-to-dawn

Dimensions

W: 7"

D: 9.25"

H: 14"



Features

- Clear seeded glass
- 150° motion detection angle
- Selectable on-time from 1, 5 or 10 minutes
- Adjustable sensitivity
- 2 Year Warranty

Applications

- Porch
- Garage
- Breezeway

Operating Modes

TEST: Overrides the photocell to allow the light to be setup during daylight hours.

AUTO/ACCENT: Lights automatically come on when motion is detected and then dim to 50% brightness when DUAL-BRITE® is turned on.

MANUAL: Lights stay on full bright until dawn. Photocell then resets light to AUTO mode.

DUALBRITE® Timer

Dims light to 50% power for accent lighting. There are 3 preset selections for the amount of time the lights stay on: 3 hours after dusk, 6 hours after dusk, or dusk-to-dawn. Can also be turned OFF.

ON-Timer

Turns lights on full bright when motion is detected. There are 4 preset selections for the amount of time the lights stay on: Test (5 seconds), 1, 5 or 10 minutes.

Adjustable Sensitivity

You can adjust the motion sensor's sensitivity to movement of heat.



Meets the ENERGY STAR® guidelines when DUALBRITE® function is off.

JOB #

JOB NAME

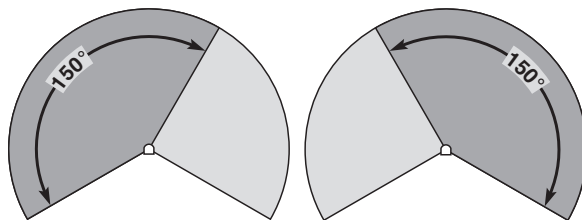
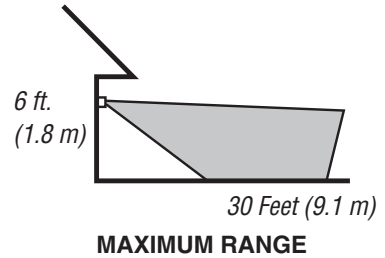
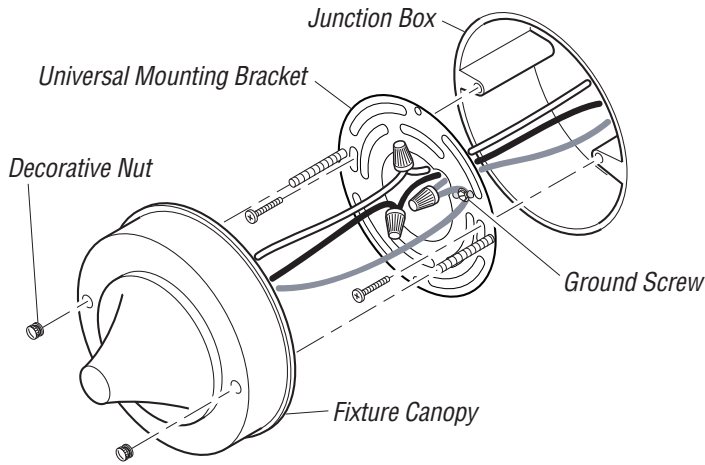
HeathCo™

2445 Nashville Road
P.O. Box 90045
Bowling Green, KY 42102-9045

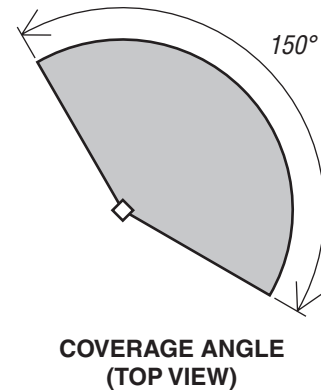
Tech Service (800) 858-8501
Sales (270) 846-8400
Fax (270) 846-8501

www.heath-zenith.com

USAGE & COVERAGE



ROTATING SENSOR HEAD TO CHANGE COVERAGE AREA



WIRING

! WARNING: Turn power off at the circuit breaker before wiring.

