

# Motion Activated DECORATIVE LIGHTING

Heath®/Zenith

SPECIFICATION SHEET

Model # **SL-4192**



Available Colors: Black (SL-4192-BK), White (SL-4192-WH) and Antique Bronze (SL-4192-AZ)

## SPECIFICATIONS

### Power Supply

- 120VAC, 60 Hz

### Wires

- AWG#18 (UL Recognized)

### Max Load

- Up to 100 Watts Incandescent, Medium Base

### Operating Temperature

- -22° F to +120° F

### Sensor Capacity

- Up to 360 Watts (3.0 A) Maximum Incandescent

### Range

- Detects motion up to 30 Feet

### Operating Modes

- TEST, AUTO/ACCENT, MANUAL

### ON-Timer

- TEST, 1, 5 or 10 Minutes

### DUALBRITE® Timer

- OFF, 3 hours, 6 hours or dusk-to-dawn

### Dimensions

- W: 7"
- D: 8.5"
- H: 18.5"



### Features

- Curved beveled glass
- Die cast, weather resistant finish
- 180° motion detection angle
- Selectable on-time from 1, 5 or 10 minutes
- Adjustable sensitivity
- 2 Year Warranty

### Applications

- Porch
- Garage
- Breezeway

### Operating Modes

**TEST:** Overrides the photocell to allow the light to be setup during daylight hours.

**AUTO/ACCENT:** Lights automatically come on when motion is detected and then dim to 50% brightness when DUAL-BRITE® is turned on.

**MANUAL:** Lights stay on full bright until dawn. Photocell then resets light to AUTO mode.

### DUALBRITE® Timer

Dims light to 50% power for accent lighting. There are 3 preset selections for the amount of time the lights stay on: 3 hours after dusk, 6 hours after dusk, or dusk-to-dawn. Can also be turned OFF.

### ON-Timer

Turns lights on full bright when motion is detected. There are 4 preset selections for the amount of time the lights stay on: Test (5 seconds), 1, 5 or 10 minutes.

### Adjustable Sensitivity

You can adjust the motion sensor's sensitivity to movement of heat.



Meets the ENERGY STAR® guidelines when DUALBRITE® function is off.

JOB #

JOB NAME

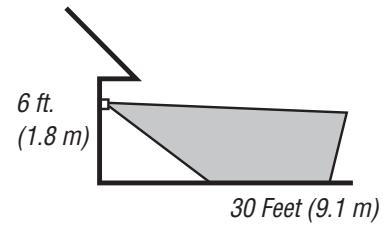
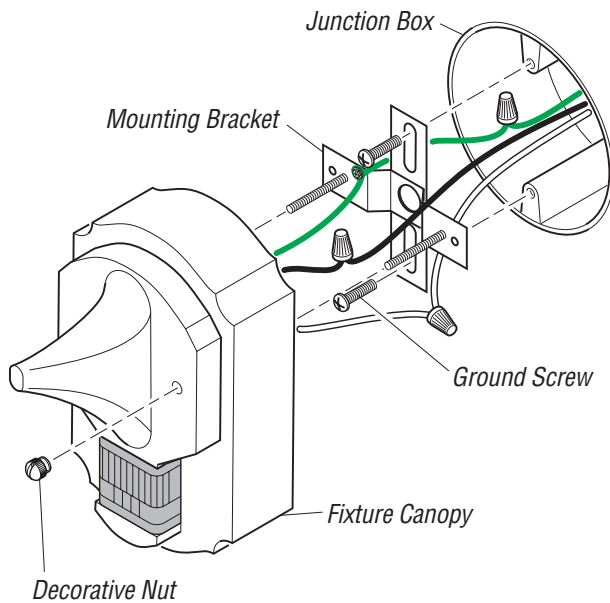
**HeathCo™**

2445 Nashville Road  
P.O. Box 90045  
Bowling Green, KY 42102-9045

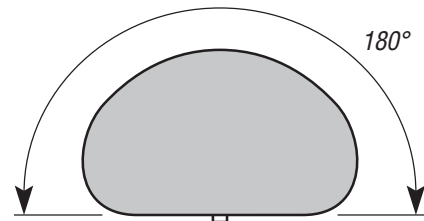
Tech Service (800) 858-8501  
Sales (270) 846-8400  
Fax (270) 846-8501

[www.heath-zenith.com](http://www.heath-zenith.com)

**USAGE & COVERAGE**



**MAXIMUM RANGE**



**COVERAGE ANGLE (TOP VIEW)**

**WIRING**

**WARNING:** Turn power off at the circuit breaker before wiring.

