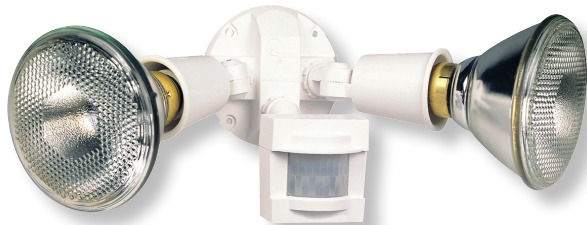


# Motion Activated SECURITY LIGHTING

Heath®/Zenith

SPECIFICATION SHEET

Model # **SL-5408**



Available Color: Bronze (SL-5408-BZ), Gray (SL-5408-GR),  
and White (SL-5408-WH)

## SPECIFICATIONS

### Power Supply

- 120VAC, 60 Hz

### Wires

- AWG#18 (UL Recognized)

### Max Load

- Up to 300 Watts Maximum Incandescent

### Replacement Lamp

- Up to 150 Watts PAR 38 Incandescent

### Range

- Up to 60 Feet

### Operating Modes

- TEST, AUTO, MANUAL

### ON-Timer

- TEST, 1, 5, 10 Minutes



Meets the ENERGY  
STAR® guidelines when  
used with 120 Watt bulbs.

### Features

- 110° motion detection angle
- Selectable on-time from 1, 5, or 10 minutes
- Adjustable sensitivity
- 2 Year Warranty

### Applications

- Wall or eave mounted
- Patio

### Operating Modes

**TEST:** Overrides the photocell to allow the light to be setup during daylight hours.

**AUTO:** Lights automatically come on when motion is detected.

**MANUAL:** Lights stay on full bright until dawn. Photocell then resets light to AUTO mode.

### ON-Timer

Turns lights on full bright when motion is detected.

There are 4 preset selections for the amount of time the lights stay on: Test (5 seconds), 1, 5, 10 minutes.

### Adjustable Sensitivity

You can adjust the motion sensor's sensitivity to movement of heat.

JOB #

JOB NAME

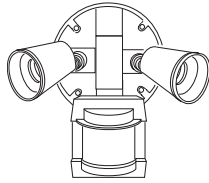
**HeathCo™**

2445 Nashville Road  
P.O. Box 90045  
Bowling Green, KY 42102-9045

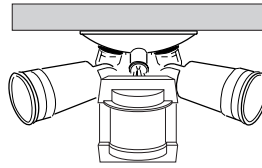
Tech Service (800) 858-8501  
Sales (270) 846-8400  
Fax (270) 846-8501

[www.heath-zenith.com](http://www.heath-zenith.com)

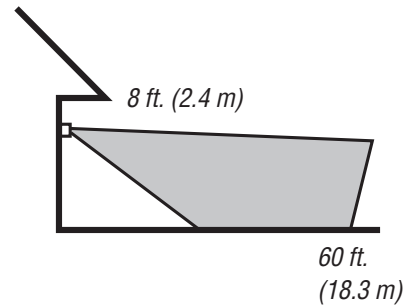
### USAGE & COVERAGE



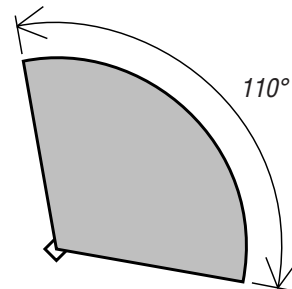
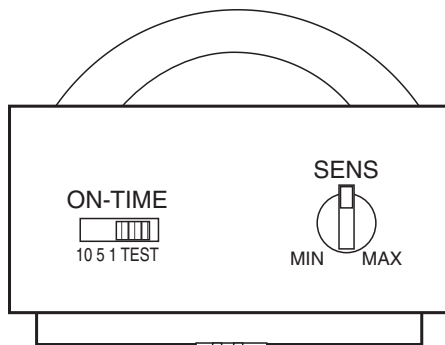
WALL MOUNT



EAVE MOUNT



MAXIMUM RANGE



MAXIMUM COVERAGE ANGLE (TOP VIEW)



Meets the ENERGY STAR® guidelines when used with 120 Watt bulbs.

### WIRING

**!** WARNING: Turn power off at the circuit breaker before wiring.

