

FEATURES & BENEFITS

CONSTRUCTION

Corrosion-resistant heavy-duty Schedule 80 PVC pipe and fittings coated with Green Epoxy paint provide added resistance in corrosive environments.

SHOWERHEAD

AXION® MSR ABS plastic drench showerhead uses a hydrodynamic design to give equal distribution of water throughout the entire footprint of flow.

MOUNTING

Designed for horizontal or vertical installation, this drench shower is mounted sturdily from any wall or ceiling.

QUALITY CONTROL

Valve assembly is pre-built for reduced installation time and an added peace of mind for the installer.

PULL ROD

28" (71.1 cm) stainless steel triangular pull rod provides a reachable height for users while maintaining its durable design.

SAFETY

8" x 10-3/4" (20.3 x 27.3 cm) universal emergency sign make the unit easily detected in an emergency. Test card to record weekly checks helps maintain the units best working quality.



SPECIFICATIONS

Model 8130 drench shower for horizontal or vertical installation shall include include the AXION® MSR hydrodynamic designed ABS plastic showerhead with 20 gpm flow control, Schedule 80 PVC piping, Type 316 Stainless Steel ball valve equipped with stainless steel ball and stem, stainless steel pull rod with triangular handle, universal sign, and 1" NPT supply.

OPTIONS

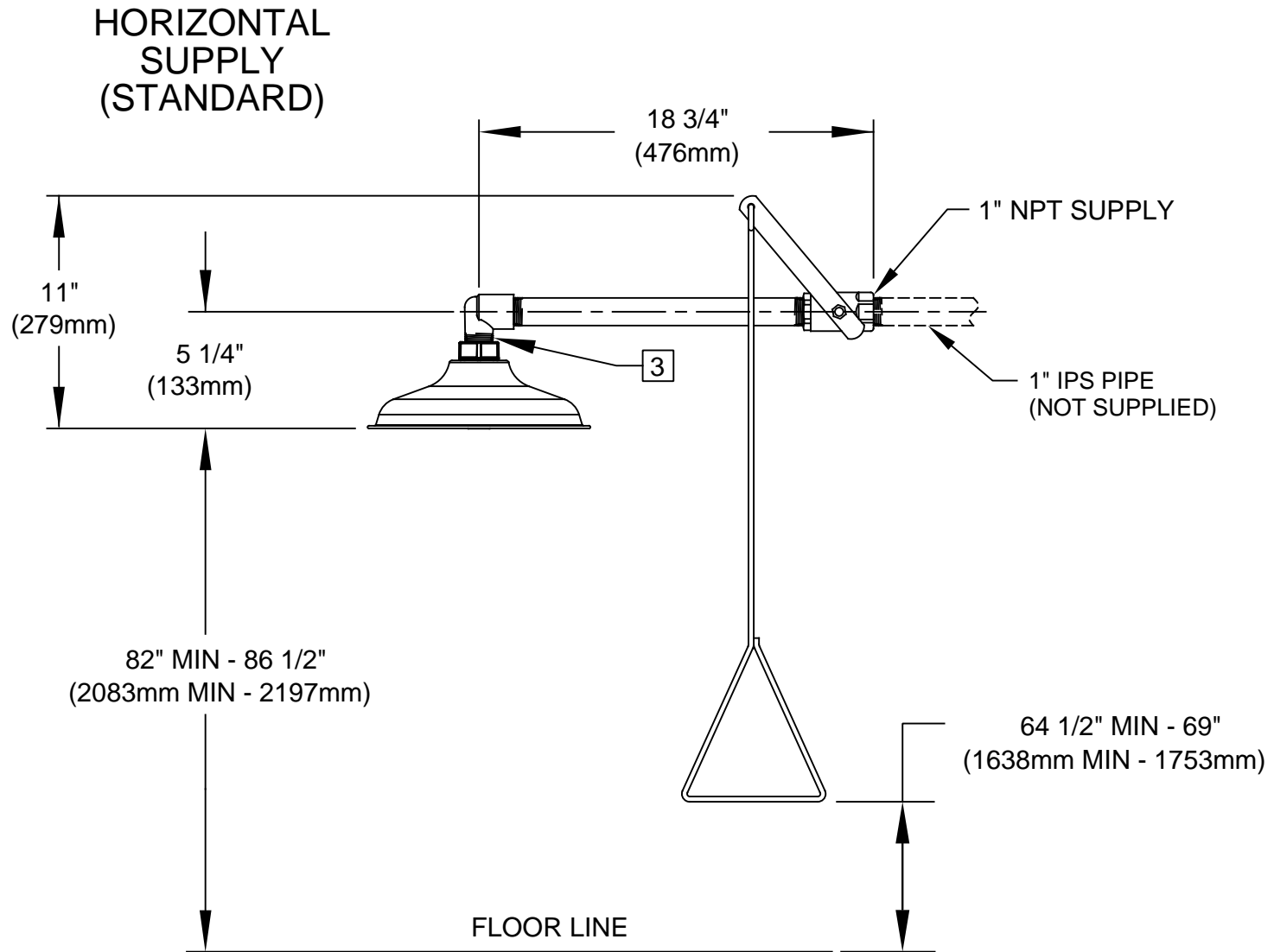
- Thermostatic Mixing Valve: Model 9201E AXION® Emergency Tempering Valve thermostatically mixes hot and cold water to provide a safe fluid supply for emergency showers and eyewash equipment, with a flow rate of 31 gpm (117.3 L).
- Emergency Alarm System: Model 9001, 1-1/4" 120 VAC emergency alarm and light system. Buzzer and flashing light are activated by an 1-1/4" double pole, double throw flow switch.
- AXION® MSR Showerhead: Model SP829SS, AXION® MSR stainless steel drench showerhead with integral 20 gpm (75.7 L) flow control.
- Thermostatic Mixing Valve: Model 9201H Lead-free AXION® Emergency Tempering Valve thermostatically mixes hot and cold water to provide a safe fluid supply for emergency showers and eyewash equipment, with a flow rate of 31 gpm (117.3 L).

For more information, visit www.hawsc.com or call (888) 640-4297.

APPLICATIONS

Where the body of any person may be exposed to injurious or corrosive materials, suitable facilities for quick drenching or cleansing of the body shall be provided within the work area for immediate emergency use. Emergency eyewash facilities and deluge showers shall be in unobstructed and accessible locations that require no more than 10 seconds for the injured person to reach. Model 8130 is certified by CSA to meet the ANSI Z358.1 Standard for Emergency Eyewash and Shower Equipment.



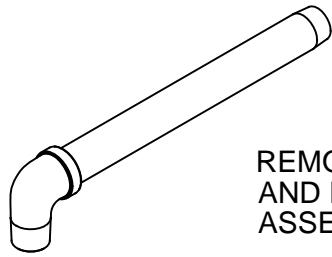


NOTES:

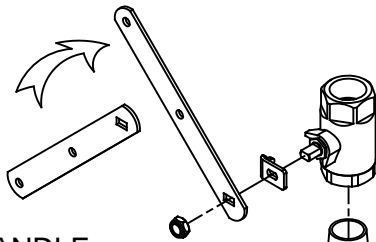
1. WHEN INSTALLING THIS UNIT, LOCAL, STATE, OR FEDERAL CODES SHOULD BE ADHERED TO FOR INSTALLATION DIMENSIONS (LOCATIONS), WASTE AND SUPPLY REQUIREMENTS OTHER THAN SHOWN.
2. TO COMPLY WITH ANSI Z358.1-2014 FOR EMERGENCY SHOWER EQUIPMENT:
 - SHOWER SHALL BE POSITIONED SUCH THAT SHOWER HEAD IS NO LESS THAN 82" (2083mm) AND NO GREATER THAN 96" (2438mm) FROM SURFACE ON WHICH USER STANDS.
 - SHOWER SPRAY PATTERN SHALL HAVE A MINIMUM DIAMETER OF 20" (508mm) AT 60" (1524mm) ABOVE SURFACE ON WHICH USER STANDS, AND CENTER OF SPRAY PATTERN SHALL BE LOCATED NO LESS THAN 16" (406mm) FROM NEAREST OBSTRUCTION.
- 3 DO NOT USE REGULAR PIPE SEALANT. IF NECESSARY USE DOW CORNING 832 SEALANT; PLACING FIVE SMALL BEADS ON MALE THREADS, JUST ABOVE FIRST THREAD.
4. DIMENSIONS MAY VARY ±1/2" (13mm).

		1455 KLEPPE LANE SPARKS, NEVADA 89431 (775) 359-4712 FAX (775) 359-7424 E-MAIL: HAWS@HAWS.CO.COM WEBSITE: WWW.HAWS.CO.COM	
		ECN NO. REVISED PER BY: MODEL(S) ECN: 5279 VWC	PART NUMBER 0002080129.D
DRAWN: TRF APPROVED: FV	DATE: 5/21/91 DATE: 02/16/18	CHKD.: VWC VWC	8130 DRENCH SHOWER
SCALE: NA		DRAWING TYPE: INSTALLATION	SIZE: A SHEET 1 OF 2

**FOR VERTICAL SUPPLY
(RECONFIGURE AS SHOWN)**



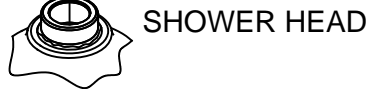
REMOVE ELBOW
AND PIPE FROM
ASSEMBLY



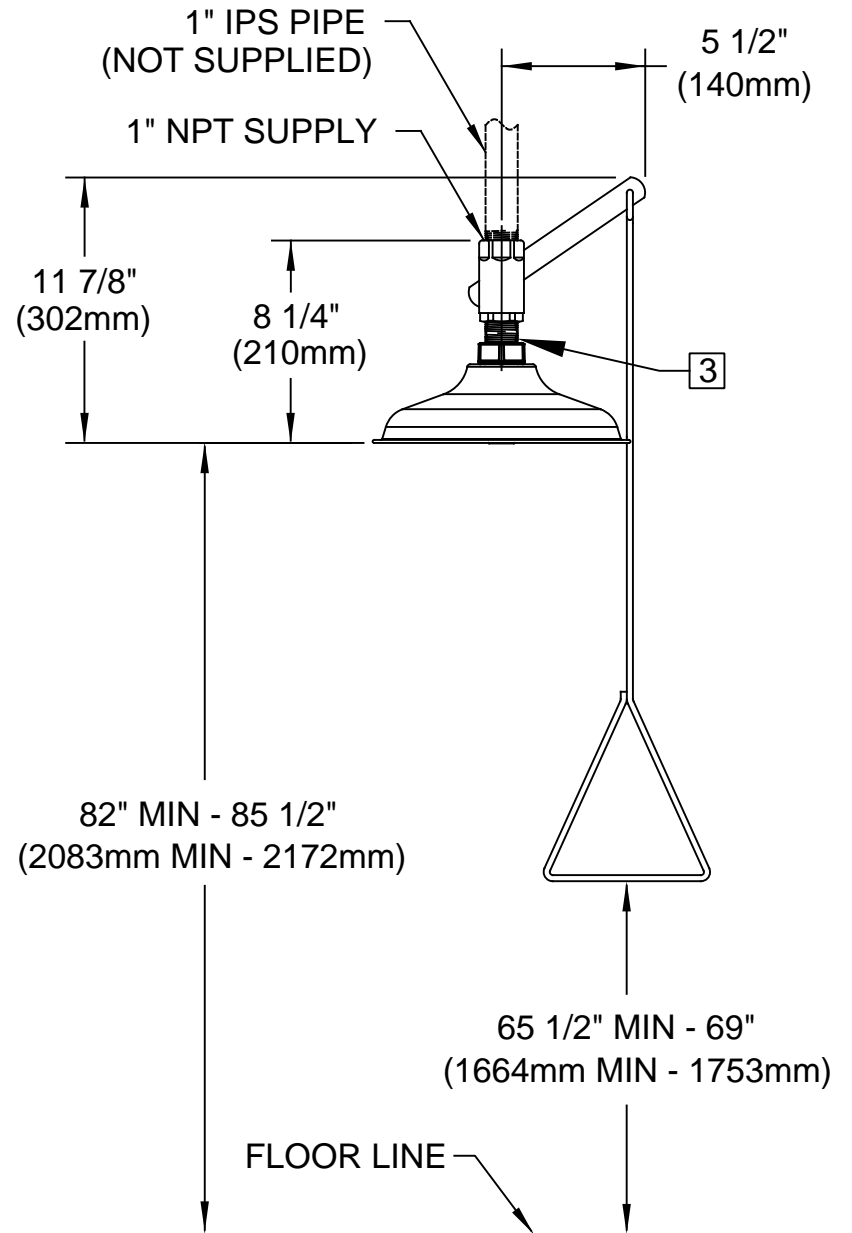
REMOVE HANDLE,
FLIP COMPLETELY
TO OTHER SIDE.
REATTACH.

BALL VALVE

ASSEMBLE
SHORTER 2"
LONG NIPPLE
(SUPPLIED)



SHOWER HEAD



NOTES:

1. WHEN INSTALLING THIS UNIT, LOCAL, STATE, OR FEDERAL CODES SHOULD BE ADHERED TO FOR INSTALLATION DIMENSIONS (LOCATIONS), WASTE AND SUPPLY REQUIREMENTS OTHER THAN SHOWN.
2. TO COMPLY WITH ANSI Z358.1-2014 FOR EMERGENCY SHOWER EQUIPMENT:
 - SHOWER SHALL BE POSITIONED SUCH THAT SHOWER HEAD IS NO LESS THAN 82" (2083mm) AND NO GREATER THAN 96" (2438mm) FROM SURFACE ON WHICH USER STANDS.
 - SHOWER SPRAY PATTERN SHALL HAVE A MINIMUM DIAMETER OF 20" (508mm) AT 60" (1524mm) ABOVE SURFACE ON WHICH USER STANDS, AND CENTER OF SPRAY PATTERN SHALL BE LOCATED NO LESS THAN 16" (406mm) FROM NEAREST OBSTRUCTION.
3. DO NOT USE REGULAR PIPE SEALANT. IF NECESSARY USE DOW CORNING 832 SEALANT; PLACING FIVE SMALL BEADS ON MALE THREADS, JUST ABOVE FIRST THREAD.
4. DIMENSIONS MAY VARY ±1/2" (13mm).

		1455 KLEPPE LANE SPARKS, NEVADA 89431 (775) 359-4712 FAX (775) 359-7424 E-MAIL: HAWS@HAWSCO.COM WEBSITE: WWW.HAWSCO.COM	
ECN NO.	REVISED PER BY:	MODEL(S)	PART NUMBER
	ECN: 5279 VWC		0002080129.D
DRAWN:	DATE:	CHKD.:	REVISION
TRF	5/21/91	VWC	15
APPROVED:	DATE:	SCALE:	DRAWING TYPE:
FV	02/16/18	NA	INSTALLATION
8130 DRENCH SHOWER		SIZE:	SHEET 2 OF 2