

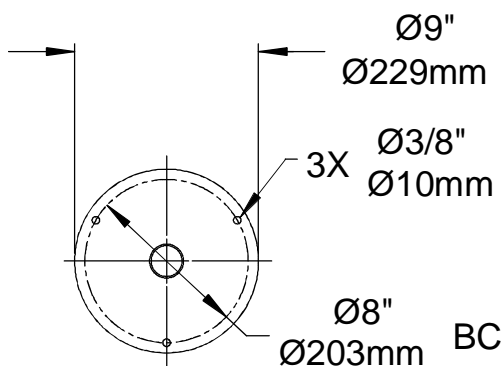
NOTES:

- TO COMPLY WITH ANSI Z358.1-2009 FOR EMERGENCY EYEWASH OR EYE/FACE WASH AND SHOWER EQUIPMENT:
 - UNIT SHALL BE INSTALLED IN ACCORDANCE WITH MANUFACTURER'S INSTRUCTIONS AND ACCEPTABLE PLUMBING PRACTICES.
 - EYEWASH OR EYE/FACE WASH SHALL BE POSITIONED WITH NOZZLES NOT LESS THEN 83.8 CM (33 IN.) AND NO GREATER THAN 114.3 CM (45 IN.) FROM SURFACE ON WHICH USER STANDS AND 15.3 CM (6 IN.) MINIMUM FROM WALL OR NEAREST OBSTRUCTION.

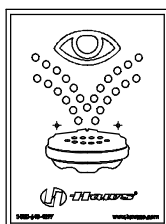
2. *DIMENSIONS MAY VARY ±1/2" [12.7mm].

3. CENTERLINE WASTE PLACED 9"[229mm] MIN. FROM OBSTRUCTION.

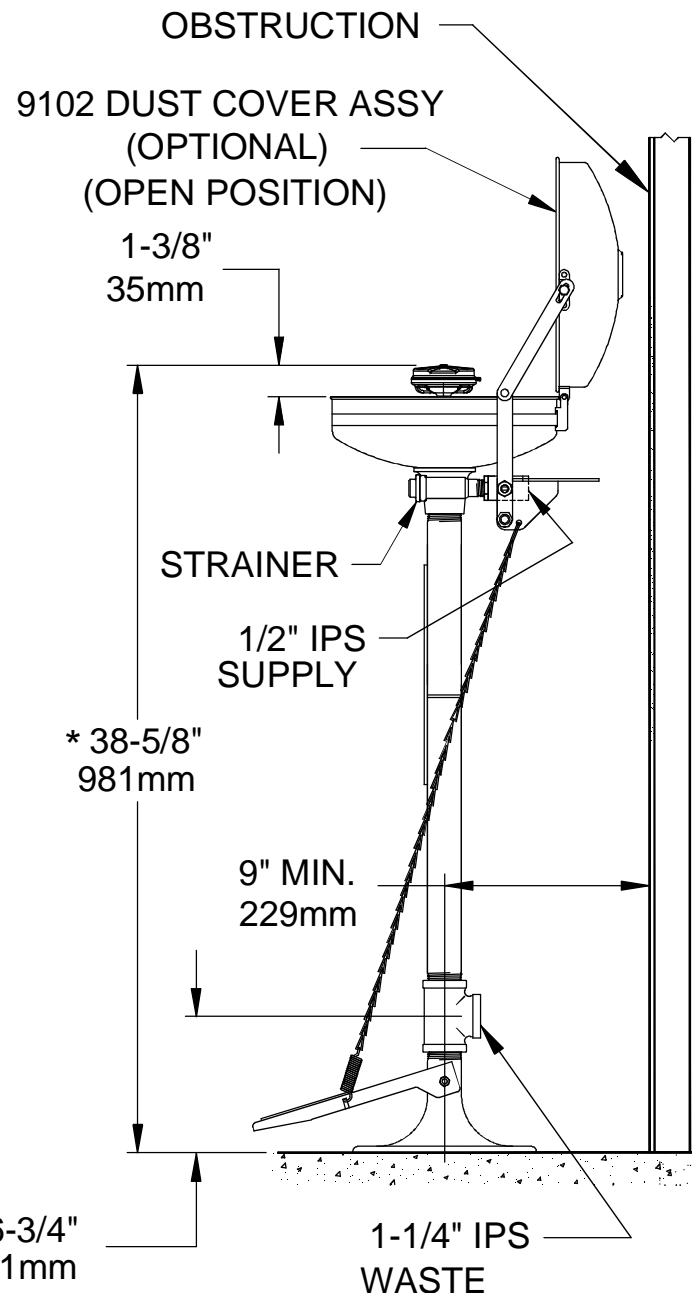
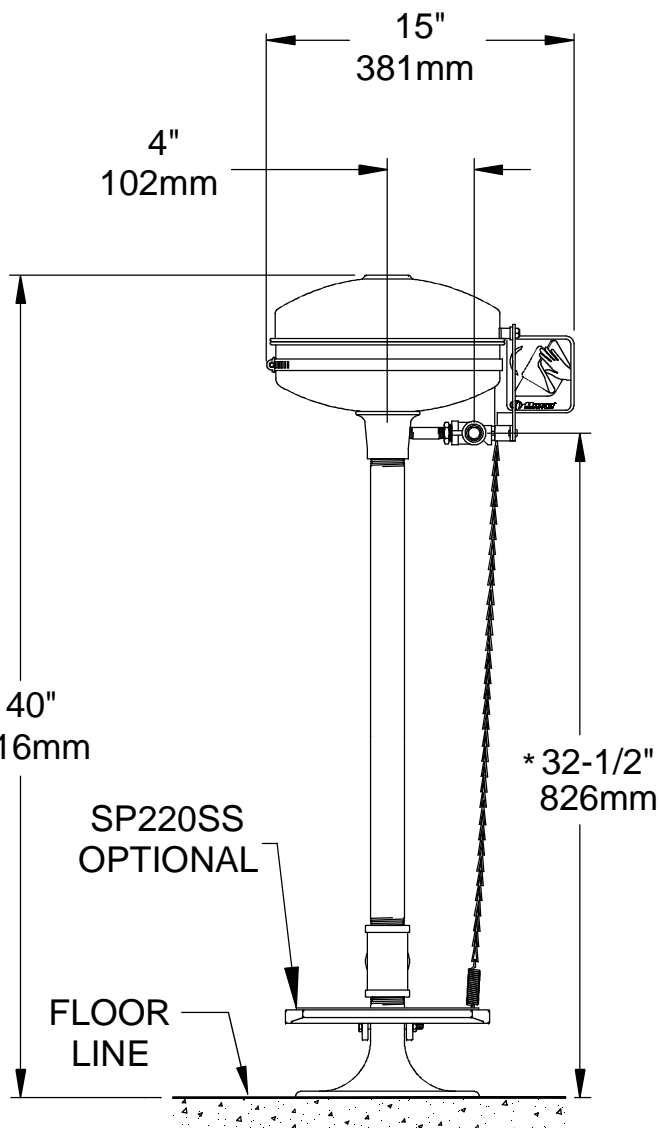
4 DIM APPLIES WHEN OPTIONAL 9102 DUST COVER ASSEMBLY IS USED.



MOUNTING DETAIL



SIGN IS TO BE POSITIONED SUCH THAT IT IS VISIBLE WITHIN THE AREA SERVED BY THE EYEWASH



		1455 KLEPPE LANE SPARKS, NEVADA 89431 (775) 359-4712 FAX (775) 359-7424 E-MAIL: HAWS@HAWSCO.COM WEBSITE: WWW.HAWSCO.COM	
ECN NO.:	REVISED PER:	BY:	MODEL(S)
5133	C.J.C.	C.J.C.	7777
DRAWN:	DATE:	CHKD.:	SS PED MTD EYE/FACE WASH
C.J.L.	05/91	V.V.C.	
APPROVED:	DATE:	SCALE:	DRAWING TYPE:
F.V.	09/01/16	1/10	INSTALLATION
PART NUMBER			0002080102.D
REVISION			15
SIZE: A			SHEET 1 OF 1