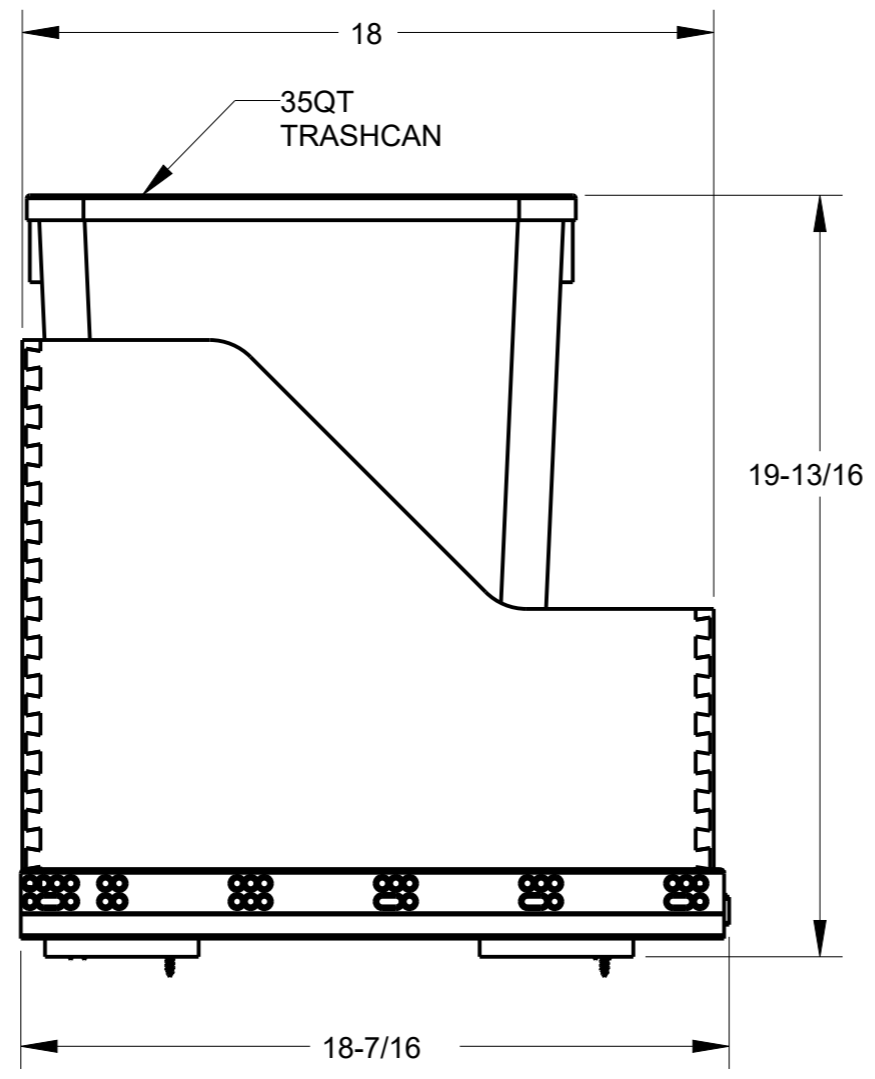
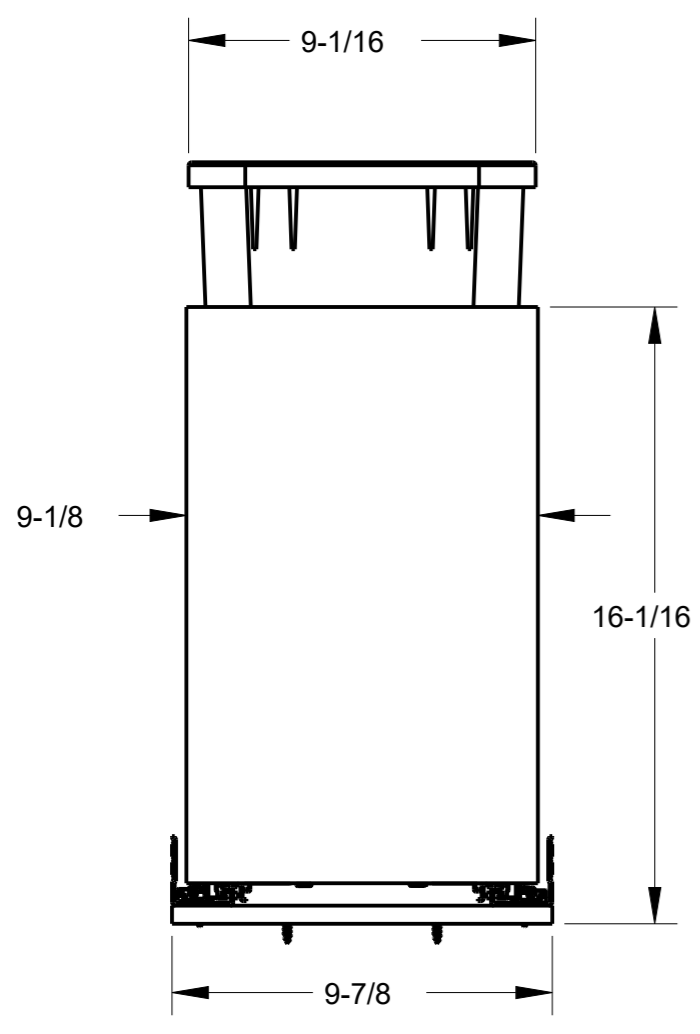
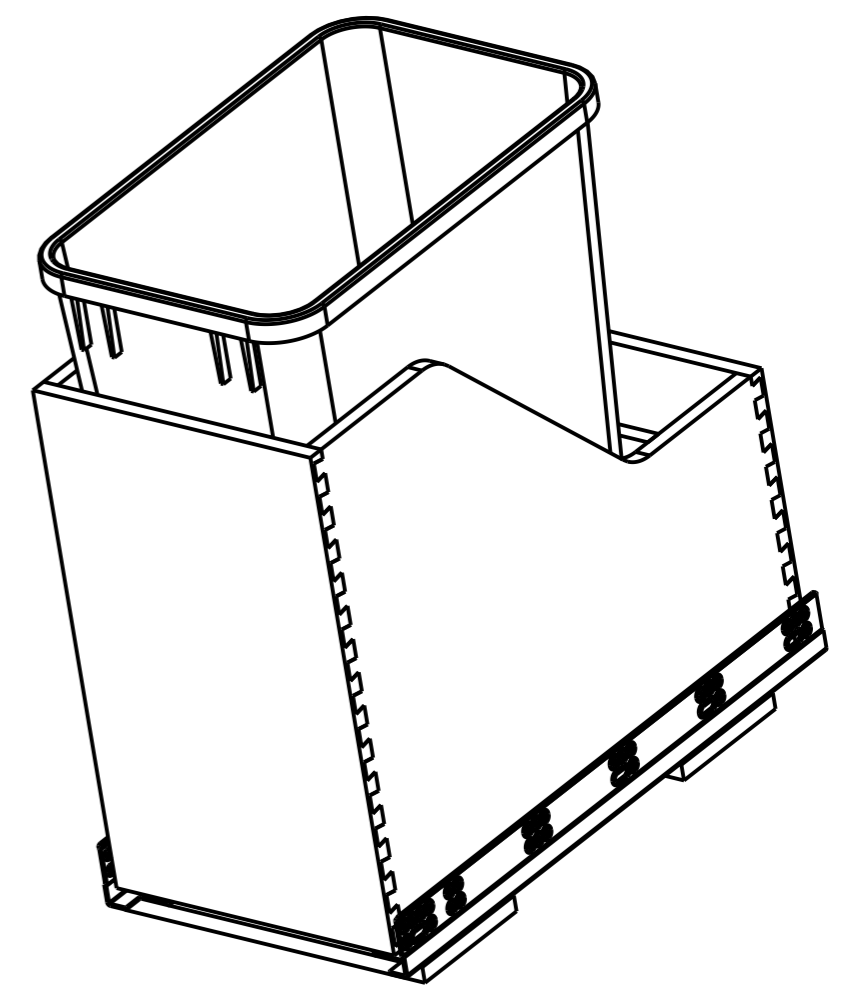
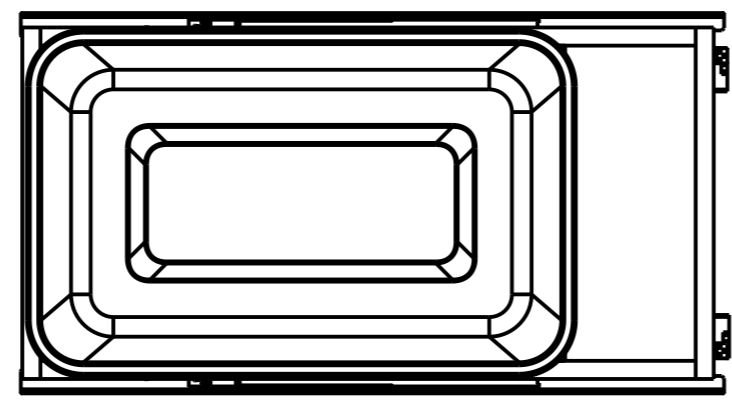


8 7 6 5 4 3 2 1

F
E
D
C
B
A

F
E
D
C
B
A



HR ITEM NUMBER	PRODUCT DESCRIPTION
CAN-WBMS35VB	SINGLE 35QT BOTTOM-MT VANITY TRASH HINGED DOOR PULLOUT, BLACK
CAN-WBMS35VWH	SINGLE 35QT BOTTOM-MT VANITY TRASH HINGED DOOR PULLOUT, WHITE
CAN-WBMS35VG	SINGLE 35QT BOTTOM-MT VANITY TRASH HINGED DOOR PULLOUT, GREY



HARDWARE RESOURCES RESERVES THE RIGHT TO CHANGE SPECIFICATIONS WITHOUT NOTICE. IN CASE OF A DISCREPANCY, ACTUAL PART GEOMETRY SUPERSEDES THIS DOCUMENT.

THE INFORMATION CONTAINED WITHIN THIS DRAWING IS THE SOLE PROPERTY OF HARDWARE RESOURCES INC. ANY REPRODUCTION IN PART OR WHOLE WITHOUT WRITTEN PERMISSION OF HARDWARE RESOURCES INC. IS PROHIBITED.

DOCUMENT STATUS Released	
UNLESS OTHERWISE SPECIFIED DIMENSIONS ARE IN INCHES (IN)	
MATERIAL WHITE BIRCH	FINISH UV COATING
THIRD ANGLE PROJECTION	DATE 28FEB2023

DESCRIPTION		
SINGLE 35QT BOTTOM-MT VANITY TRASH HINGED DOOR PULLOUT		
DRAWING NUMBER CAN-WBMSV12		REV A
SIZE A3	SCALE 0.200	SHEET 1 / 1

8 7 6 5 4 3 2 1

A

A