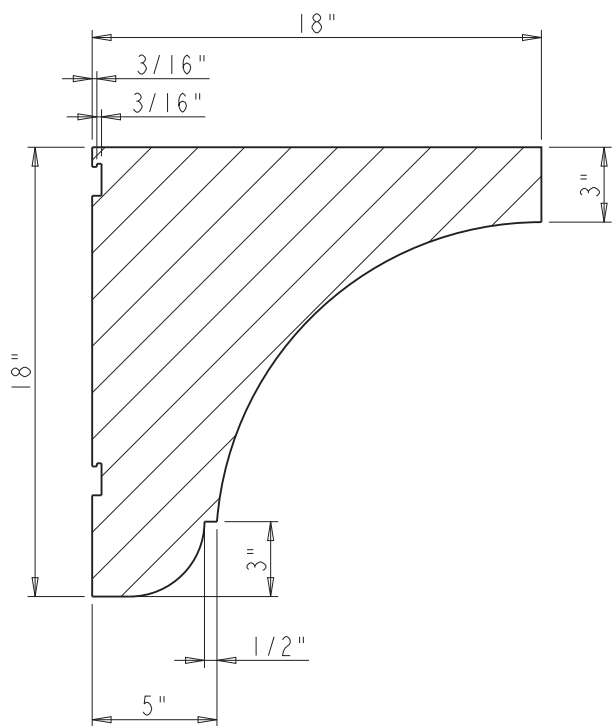
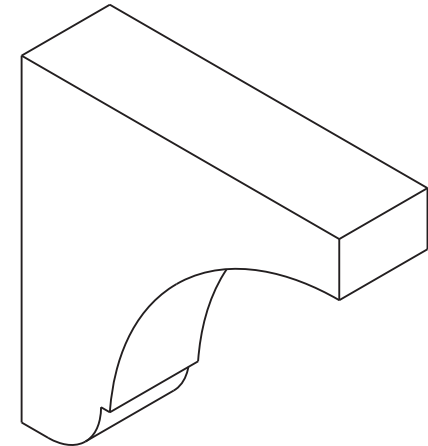
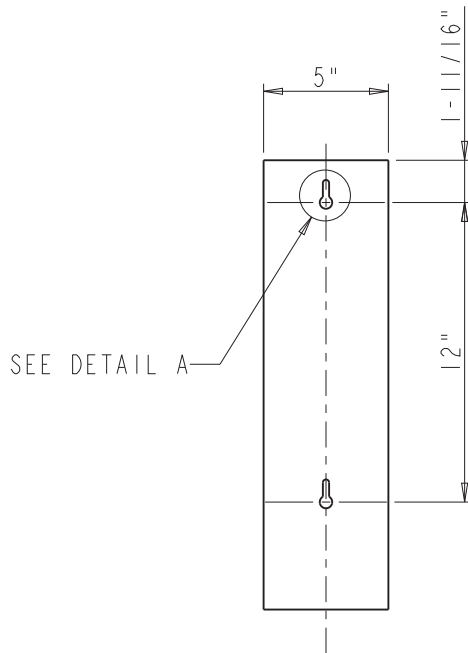


DETAIL A
SCALE 1:2



SECTION A-A



	ITEM:	COR32-1		MATERIAL:
	FINISH:			WEIGHT: 0.000 g
<p>PROPRIETARY AND CONFIDENTIAL</p> <p>THE INFORMATION CONTAINED IN THIS DRAWING IS THE SOLE PROPERTY OF HARDWARE RESOURCES INC. ANY REPRODUCTION IN PART OR AS A WHOLE WITHOUT THE WRITTEN PERMISSION OF HARDWARE RESOURCES INC. IS PROHIBITED.</p>	<p>PROJECTION</p>		DATE:	09/03/14
	TOLERANCE UNLESS OTHERWISE SPECIFIED:	UNITS:	DRAWN BY:	DATE:
	X ±0.20		<i>Hugo.cai</i>	
	X.X ±0.10	SIZE:	APPROVED BY:	DATE:
X.XX ±0.05	A4			
ANGULAR: ±0.6°	SHEET:	RELEASE LEVEL:	REVISION:	
DO NOT SCALE DRAWING	1 OF 1			