

Axor Starck Organic
2-hole rim mounted thermostatic bath mixer
Surfaces: **chrome** Article Number: **12422000**



Description

product features

- 2 outlets
- safety lock at 40° C
- temperature limitation adjustable
- suitable for remote spout
- scope of supply: handles, escutcheons, sleeves
- connection dimension: DN15
- connection type: basic set

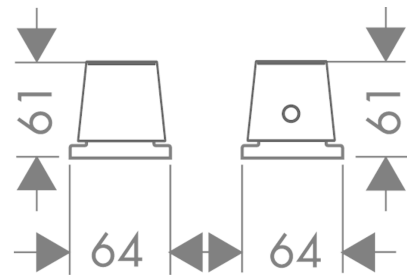
Mandatory Accessoires

- Basic set for 2-hole rim mounted thermostatic bath mixer (#13550XXX)

Product image



Scale drawing

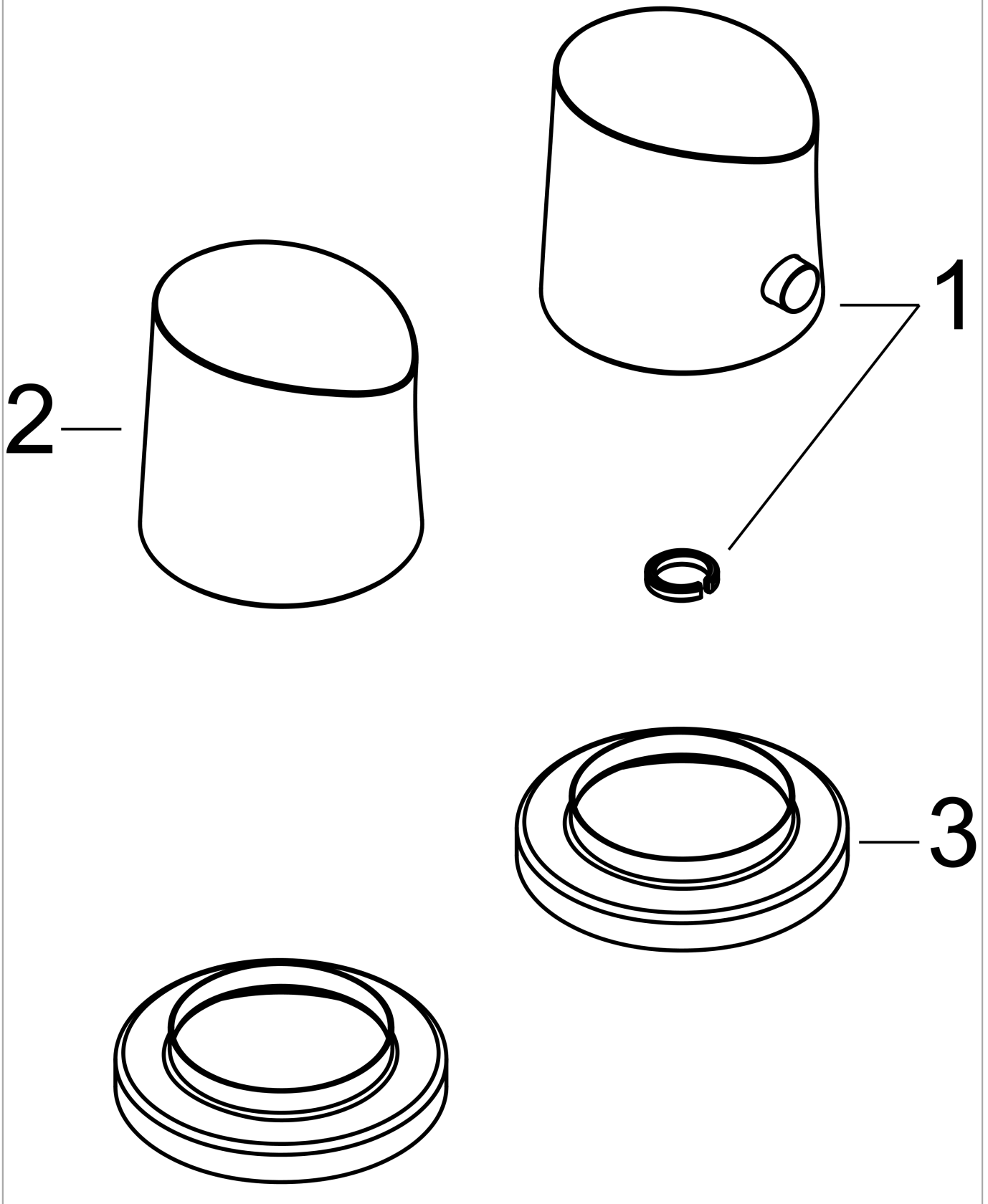


Axor Starck Organic
2-hole rim mounted thermostatic bath mixer
Surfaces: **chrome** Article Number: **12422000**



Exploded Drawing

Year of production: >11/12



Axor Starck Organic
2-hole rim mounted thermostatic bath mixer
 Surfaces: **chrome** Article Number: **12422000**



Spare part list

Year of production: >11/12

Pos.	Description	Article Number	PC	PU
1	handle for thermostat	92120000	16	1
2	handle	98312000	15	1
3	escutcheon Ø 65 mm	98406000	11	1
4	escutcheon	21828000	9	1
a	concealed item	13550180	0	1