

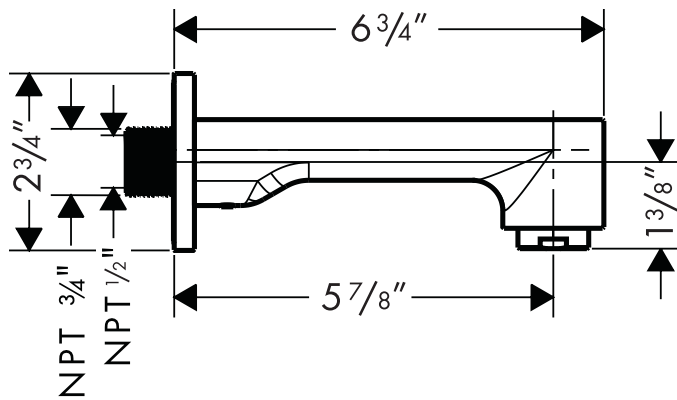
Product Features

- Solid brass
- Dual-threaded mounting piece: 1/2" NPT female, 3/4" NPT male

Code Compliance

This unit meets or exceeds the following:

- ASME A112.18.1
- CSA B125.1
- Listed by IAPMO



Available Finishes

Chrome	14413001
Brushed Nickel	14413821
Polished Nickel	14413831

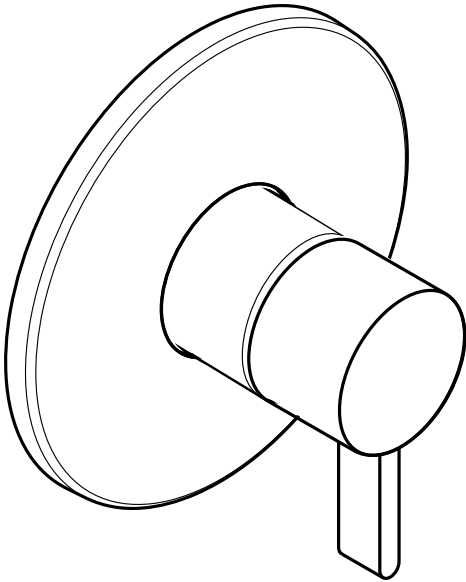
Installation Notes

- Requires either 3/4" NPT female or 1/2" NPT male fitting, recessed 3/8" behind surface of finished wall

The measurements shown are for reference only.

Products and specifications shown are subject to change without notice.

Specification sheet revised 5/2009



Product Features

- Lever handle
- Flow rate 6.5 gpm @ 44 psi

Available Finishes

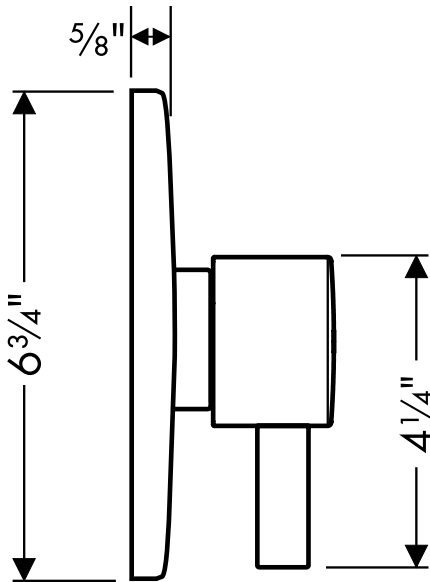
Chrome	04233000
Brushed Nickel	04233820
Polished Nickel	04233830

Required Accessories

iBox Universal Plus	01850181
---------------------	----------

Optional Accessories

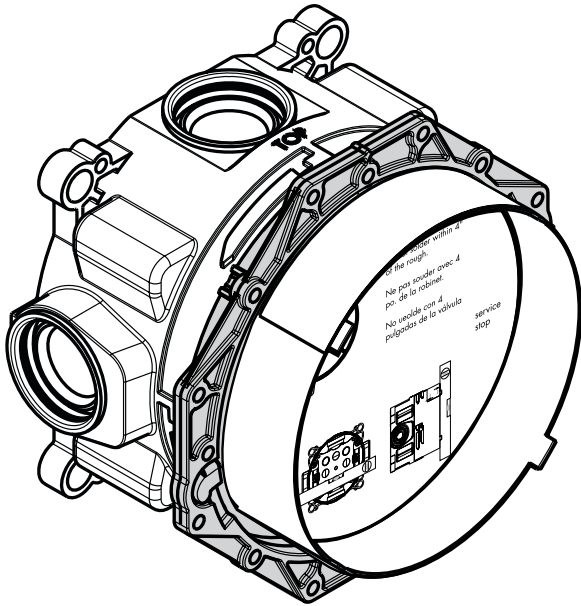
Shallow extension set	13596XX0
-----------------------	----------



The measurements shown are for reference only.

Products and specifications shown are subject to change without notice.

Specification sheet revised 12/2009



Product Features

- 4-port universal rough w/service stops
- 3/4" inlets and outlets
- Includes three 1/2" reducers, one 3/4" plug, seal
- Rough valve for several types of shower valves: thermostatic mixer; thermostatic mixer with volume control; thermostatic mixer with volume control/diverter; pressure balance valve
- Also rough for Raindance Rainfall 28411XX1

Code Compliance

This unit meets or exceeds the following (when installed with trim kit):

- ASME A112.18.1
- CSA B125.1
- Listed by IAPMO

Required Accessories

Trim kit – many styles available

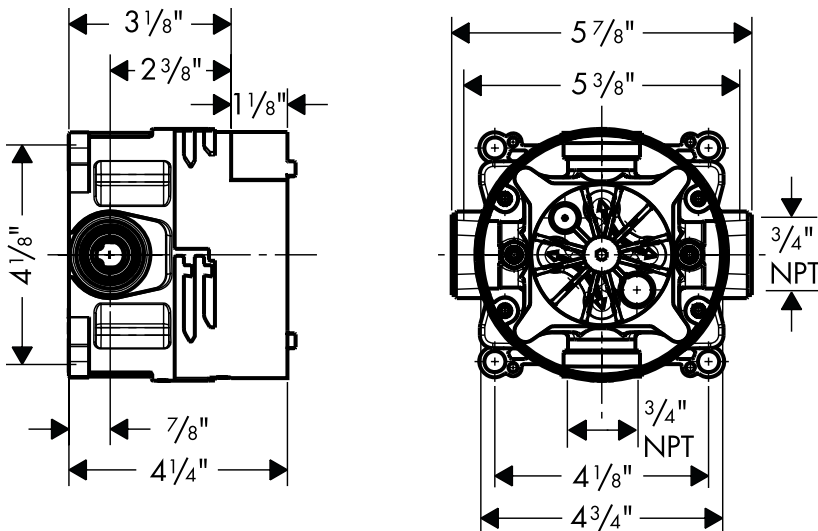
Optional Accessories

1" extension (deep rough-in)

13595000

Mounting kit

96615000



The measurements shown are for reference only.

Products and specifications shown are subject to change without notice.

Specification sheet revised 1/2010