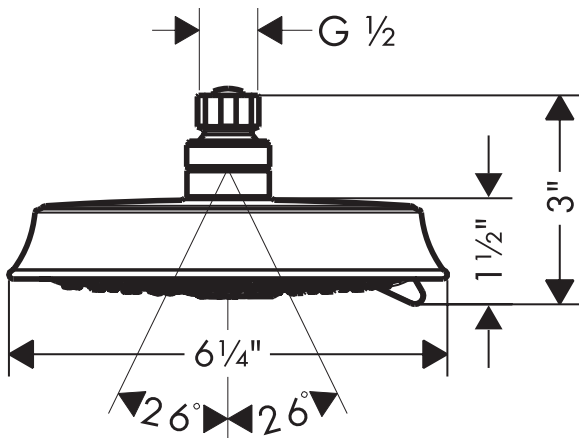
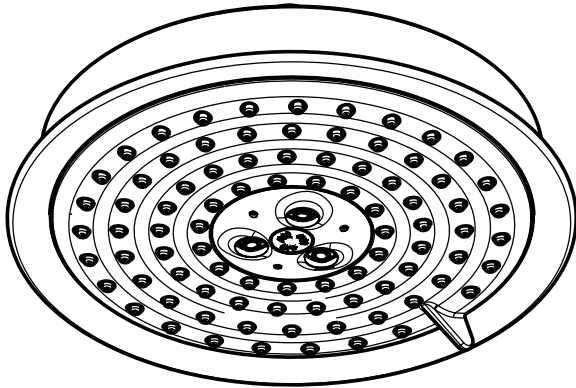


Raindance C 150 AIR 3-Jet Showerhead

28471XX1

AIR
POWER

QUICLEAN



Product Features

- Oversized spray face
- AIR injection technology
- Three spray modes: Rain AIR, Balance AIR, Whirl AIR
- 1/2" female inlet
- 86 no-clog spray channels
- 2.5 gpm

Available Finishes

Chrome	28471001
Oil Rub Bronze	28471621
Brushed Nickel	28471821
Polished Nickel	28471831
Rubbed Bronze	28471921
Polished Brass	28471931

The measurements shown are for reference only.

Products and specifications shown are subject to change without notice.

Specification sheet revised 7/2009

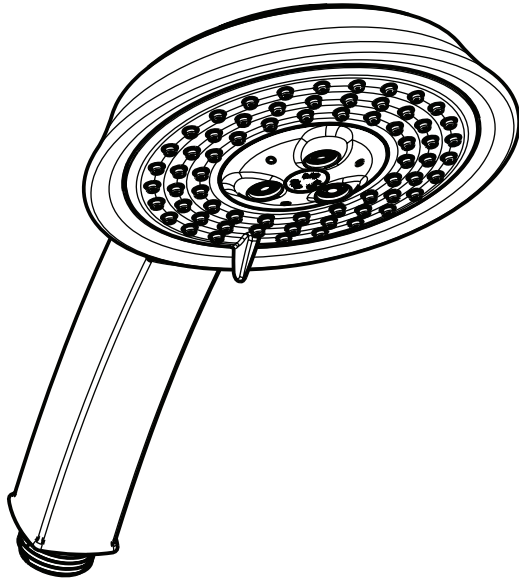
hansgrohe

Raindance C 100 AIR 3-Jet Handshower

28548XX1

AIR
POWER

QUICLEAN

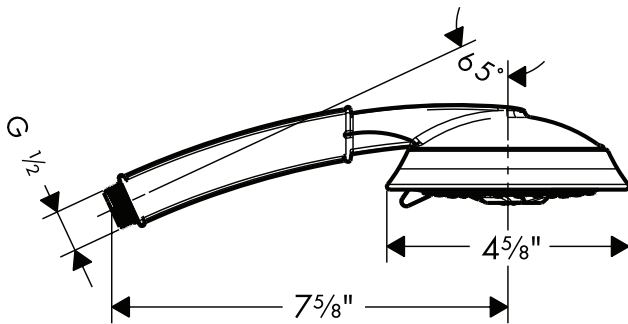


Product Features

- Oversized spray face
- AIR injection technology
- Three spray modes: Rain AIR, Balance AIR, Whirl AIR
- 65 no-clog spray channels
- 2.5 gpm

Available Finishes

Chrome	28548001
Oil Rub Bronze	28548621
Brushed Nickel	28548821
Polished Nickel	28548831
Rubbed Bronze	28548921
Polished Brass	28548931



The measurements shown are for reference only.

Products and specifications shown are subject to change without notice.

Specification sheet revised 5/2009

hansgrohe

Product data sheet (PDF)

HG Metris C Trim Pressure Balance w/Diverter

Description

- . Temperature and on/off control for 2 outlets
- . Lever Handles . Flow 6.5 GPM @ 44 PSI
- . 7/8" shallow extension set # 13596xx0

Finishes

Art. no.

Price excl. VAT

chrome

04449000

235,00 \$

brushed nickel

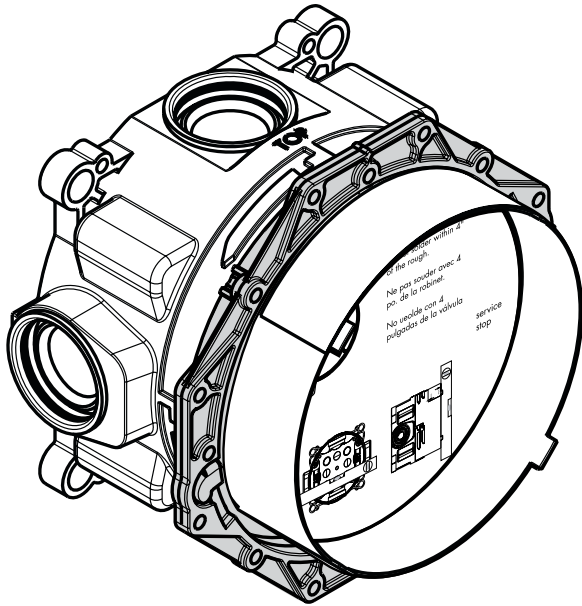
04449820

355,00 \$

Product image



Scale drawing



Product Features

- 4-port universal rough w/service stops
- 3/4" inlets and outlets
- Includes three 1/2" reducers, one 3/4" plug, seal
- Rough valve for several types of shower valves: thermostatic mixer; thermostatic mixer with volume control; thermostatic mixer with volume control/diverter; pressure balance valve
- Also rough for Raindance Rainfall 28411XX1

Code Compliance

This unit meets or exceeds the following (when installed with trim kit):

- ASME A112.18.1
- CSA B125.1
- Listed by IAPMO

Required Accessories

Trim kit – many styles available

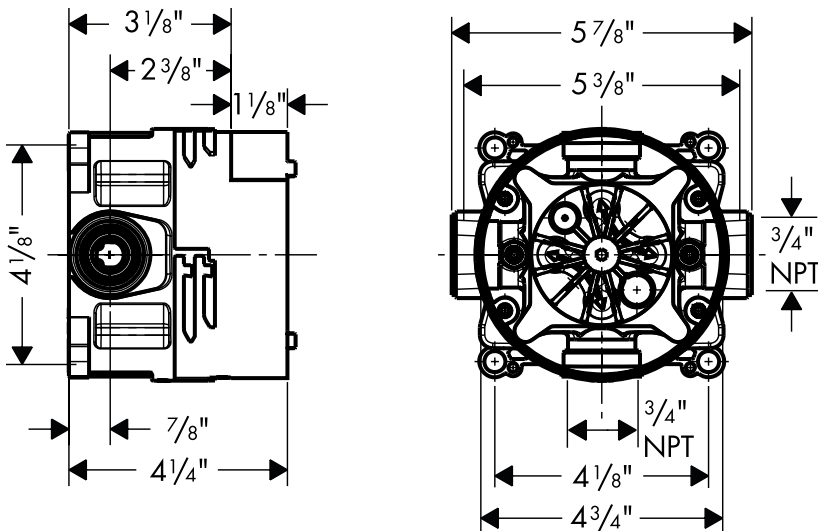
Optional Accessories

1" extension (deep rough-in)

13595000

Mounting kit

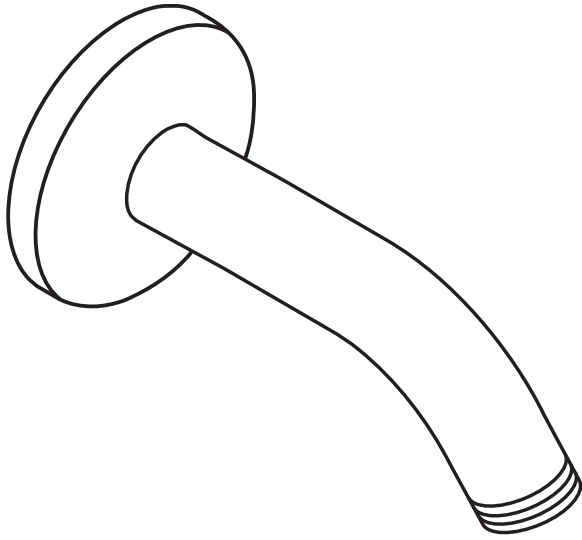
96615000



The measurements shown are for reference only.

Products and specifications shown are subject to change without notice.

Specification sheet revised 1/2010

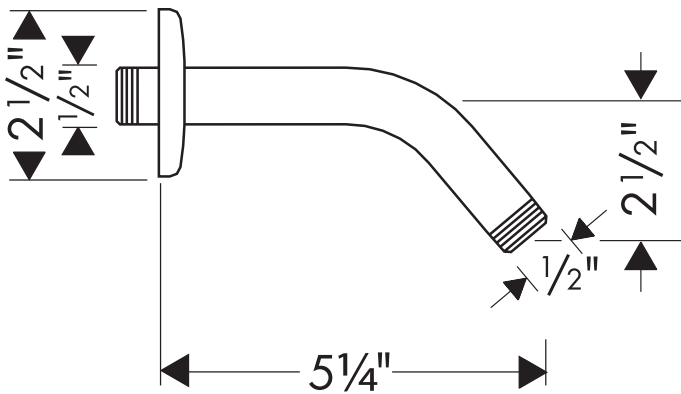


Product Features

- 1/2" male inlet
- Includes escutcheon
- Not for use with oversized or square showerheads

Available Finishes

Chrome	27411003
Oil Rubbed Bronze	27411623
Brushed Nickel	27411823
Polished Nickel	27411833
Rubbed Bronze	27411923
Polished Brass	27411933



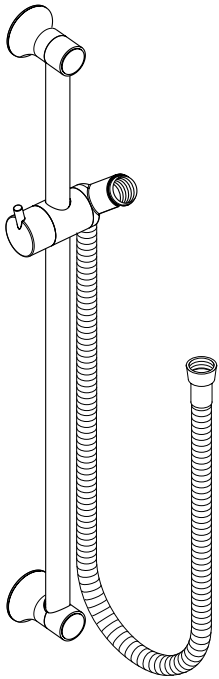
Optional Accessories

C Escutcheon for standard showerarm	04068XX0
-------------------------------------	----------

The measurements shown are for reference only.

Products and specifications shown are subject to change without notice.

Specification sheet revised 1/2009

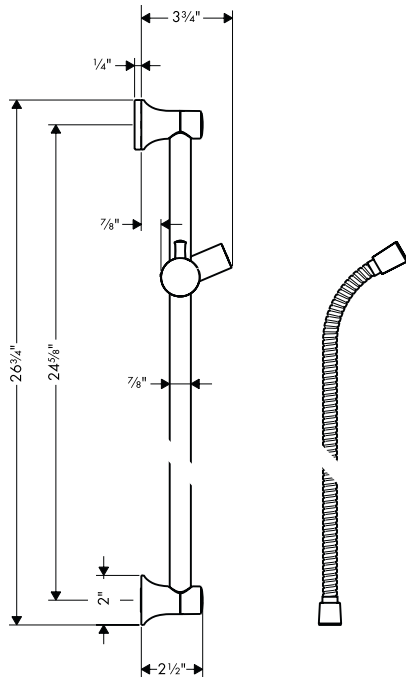


Product Features

- Holder is angle adjustable, moves up and down, pivots left and right
- Knob with finger grip for easy slide adjustment
- Includes 63" Sensoflex hose

Available Finishes

Chrome	27617000
Oil Rub Bronze	27617620
Brushed Nickel	27617820
Polished Nickel	27617830
Rubbed Bronze	27617920
Polished Brass	27617930



The measurements shown are for reference only.

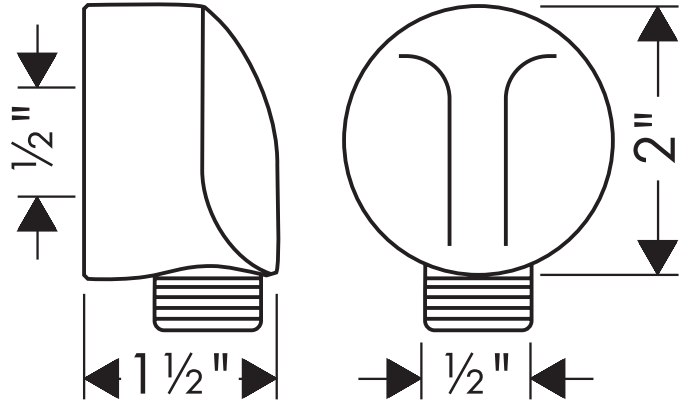
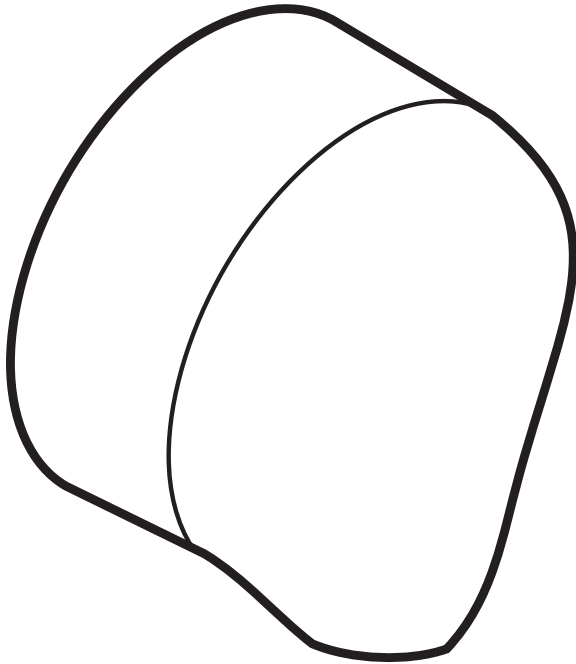
Products and specifications shown are subject to change without notice.

Specification sheet revised 6/2009

Wall Outlet

27454XX2

Available in Chrome (00), Oil Rub Bronze (62), Brushed Nickel (82), Polished Nickel (83), Polished Brass (93)



Product Specification

1/2" female NPT inlet
Fits all 1/2" handshower hoses