

Product Features

- Handshower holder with integrated hose connection
- Suitable for handshower hose with conical nut
- Protection against backflow provided by check valve

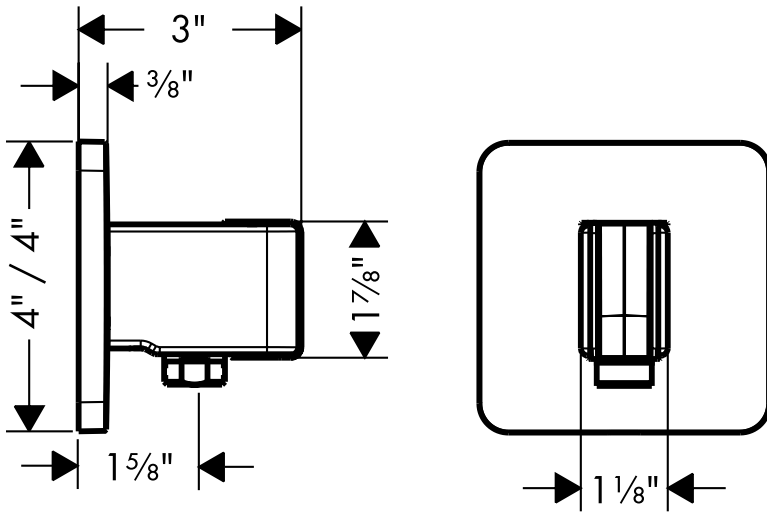
Available Finishes

Chrome

11626001

Polished Nickel

11626831



The measurements shown are for reference only.

Products and specifications shown are subject to change without notice.

Specification sheet revised 3/2010