

Product Features

- Trim set includes escutcheon, handles, sleeves, thermostatic cartridge, volume control cartridge
- Flow rate 8.0 gpm @ 44 psi
- Maximum high temperature can be adjusted to comply with local plumbing codes

Code Compliance

This unit meets or exceeds the following:

- ASME A112.18.1
- CSA B125.1
- Listed by IAPMO

Available Finishes

Chrome

15775001

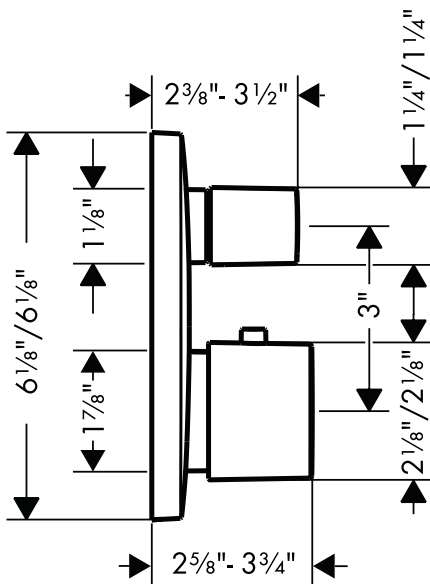
White/Chrome

15775401

Required Accessories

Universal iBox rough

01850181



The measurements shown are for reference only.

Products and specifications shown are subject to change without notice.

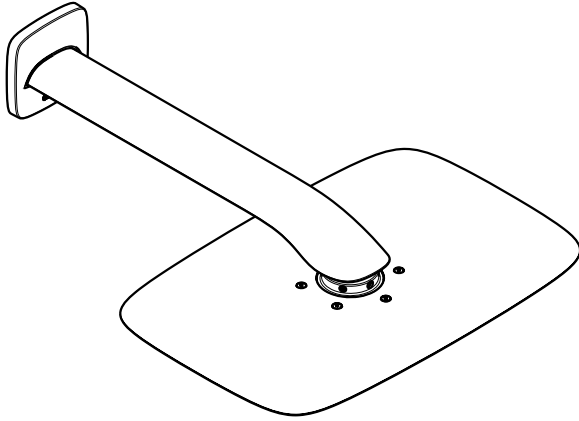
Specification sheet revised 5/2010

PuraVida 400 AIR Showerhead with Showerarm

27437xx1

AIR
POWER

QUICK
CLEAN



Product Features

- 15" x 10" spray face
- Solid brass
- Extra wide Rain AIR spray mode
- AIR-injection technology
- Includes 15" showerarm with quick connect
- 2.5 GPM

Code Compliance

This unit meets or exceeds the following:

- ASME A112.18.1 / CSA B125.1
- Listed by IAPMO
- Approved for use in Massachusetts

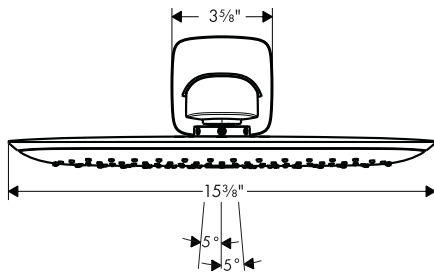
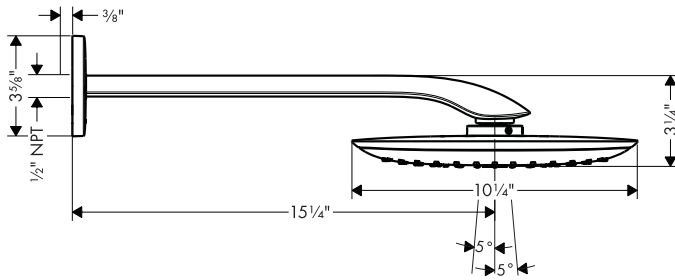
Available Finishes

Chrome

27437001

White/Chrome

27437401

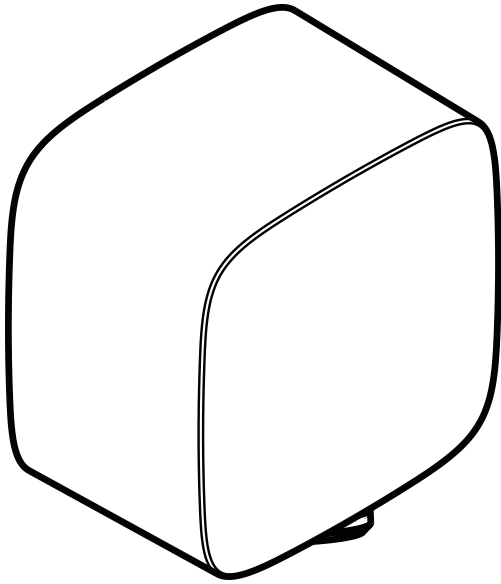


The measurements shown are for reference only.

Products and specifications shown are subject to change without notice.

Specification sheet revised 10/2010

hansgrohe



Product Features

- 1/2" NPT female inlet
- Fits all 1/2" hoses
- Backflow prevention provided by double check valve

Code Compliance

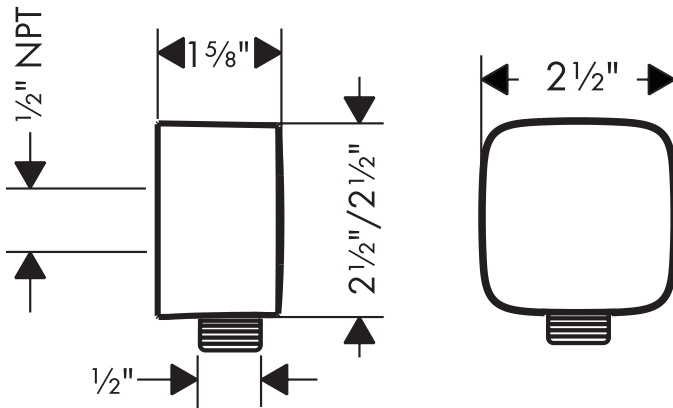
This unit meets or exceeds the following:

- ASME A112.18.1 / CSA B125.1
- Listed by IAPMO

Available Finishes

Chrome

27414001



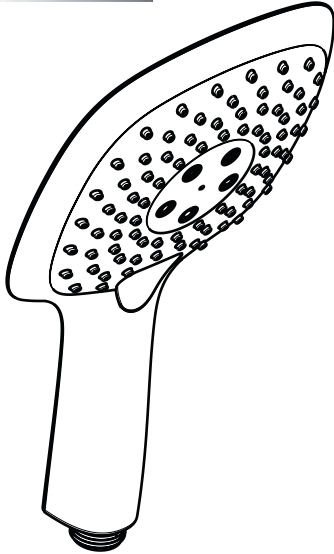
The measurements shown are for reference only.

Products and specifications shown are subject to change without notice.

Specification sheet revised 10/2010

AIR
POWER

QUICK
CLEAN



Product Features

- 2.5 gpm
- Oversized spray face
- Quiclean™ cleaning system
- Three spray modes: RainAIR, CaresseAIR, MixAIR
- EasyClick button for easy change of spray modes

Code Compliance

This unit meets or exceeds the following:

- ASME A112.18.1
- CSA B125.1
- Listed by IAPMO

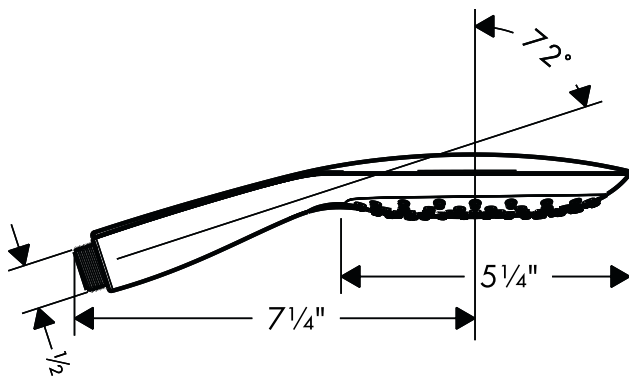
Available Finishes

Chrome

28557001

White/Chrome

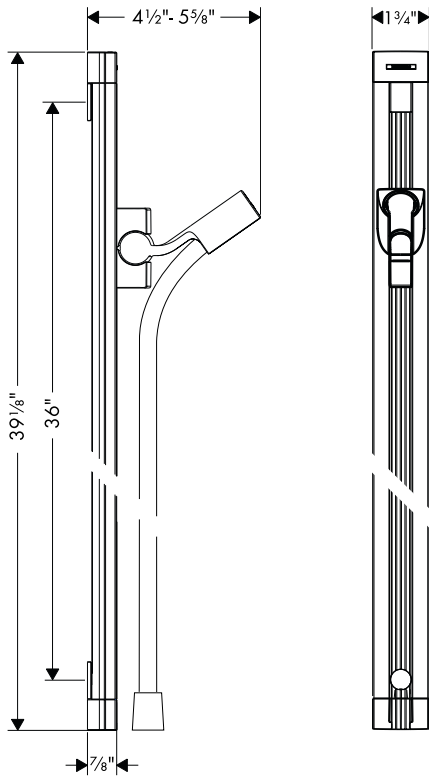
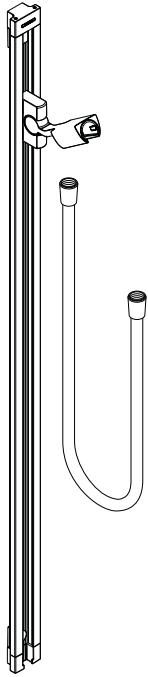
28557401



The measurements shown are for reference only.

Products and specifications shown are subject to change without notice.

Specification sheet revised 5/2010



Product Features

- Aluminum profile
- Integrated hose guide
- Angle adjustable holder pivots left and right
- Includes 63" Techniflex hose

Available Finishes

Chrome

27844000

Optional Accessories

PuraVida wall outlet w/check valve

27414001

PuraVida 150 AIR 3-Jet handshower

28557xx1

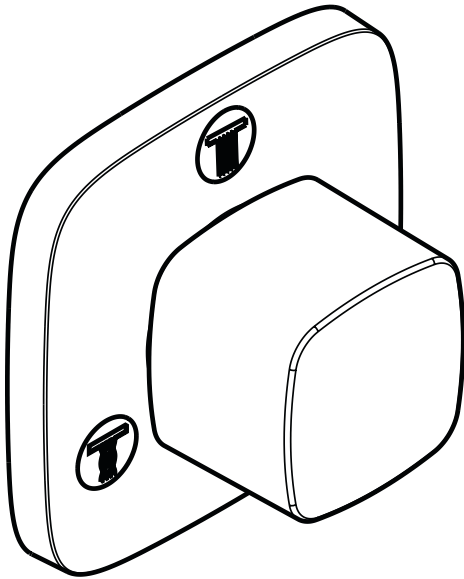
PuraVida 120 AIR 1-Jet handshower

28558xx1

The measurements shown are for reference only.

Products and specifications shown are subject to change without notice.

Specification sheet revised 2/2010



Product Features

- Includes escutcheon, handle, sleeve

Code Compliance

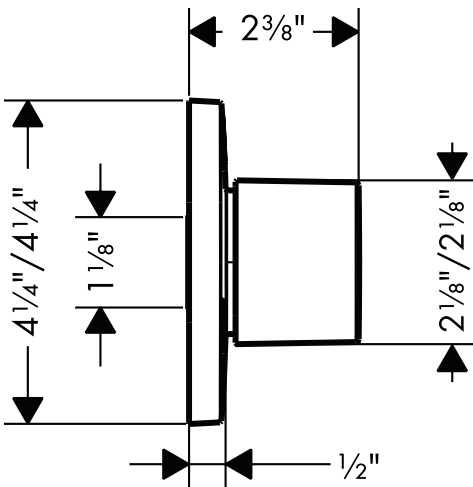
This unit meets or exceeds the following:

- ASME A112.18.1
- CSA B125.1
- Listed by IAPMO

Available Finishes

Chrome

15937001



Required Accessories

Quattro rough

15930181

or

Trio 2-Way diverter rough

15984181

or

Trio Stop diverter

15981181

The measurements shown are for reference only.

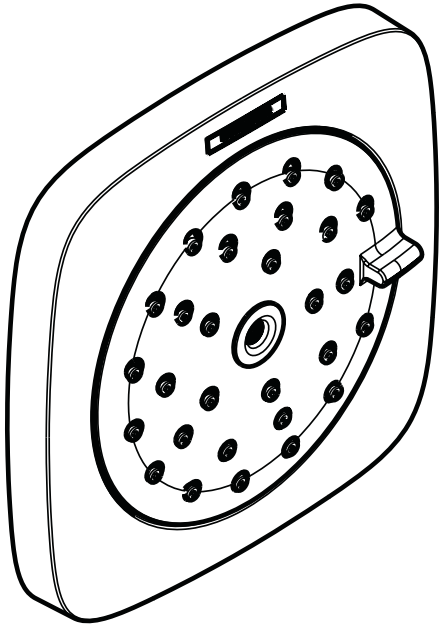
Products and specifications shown are subject to change without notice.

Specification sheet revised 5/2010

AIR
POWER

ECO
RIGHT

QUICLEAN



Product Features

- 4" Flat spray face
- EcoAir technology
- Mounts flush on wall
- 360° adjustable spray
- 0.9 gpm flow rate
- 1/2" NPT female inlet

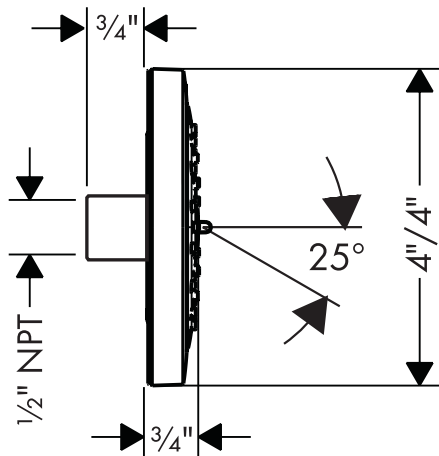
Available Finishes

Chrome

28430001

White/Chrome

28430401



The measurements shown are for reference only.

Products and specifications shown are subject to change without notice.

Specification sheet revised 7/2009