

Product Features

- Thermostatic temperature control
- 100° F safety stop
- Volume control for one outlet
- 8 gpm @ 44 psi

Code Compliance

This unit meets or exceeds the following:

- ASME A112.18.1 / CSA B125.1
- ASSE 1016
- Listed by IAPMO
- Approved for use in Massachusetts

Available Finishes

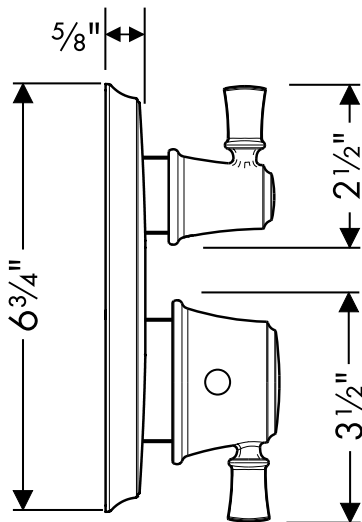
Chrome	04220000
Oil Rub Bronze	04220620
Brushed Nickel	04220820
Polished Nickel	04220830
Rubbed Bronze	04220920

Required Accessories

iBox Universal Plus	01850181
---------------------	----------

Optional Accessories

Shallow extension set	13956XX0
-----------------------	----------



The measurements shown are for reference only.

Products and specifications shown are subject to change without notice.

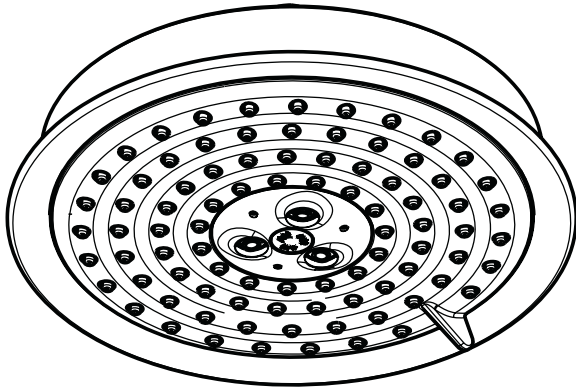
Specification sheet revised 8/2010

Raindance C 150 AIR 3-Jet Showerhead

28471xx1

AIR
POWER

QUICK
CLEAN



Product Features

- Oversized spray face
- AIR injection technology
- Three spray modes: Rain AIR, Balance AIR, Whirl AIR
- 1/2" female inlet
- 86 no-clog spray channels
- 2.5 GPM

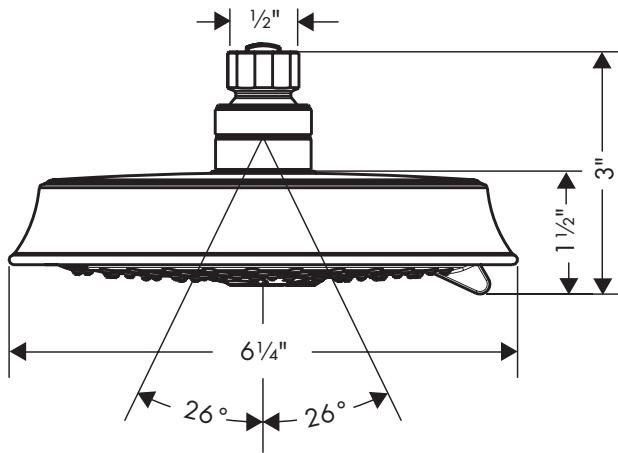
Code Compliance

This unit meets or exceeds the following:

- ASME A112.18.1 / CSA B125.1
- Listed by IAPMO

Available Finishes

Chrome	28471001
Oil Rub Bronze	28471621
Brushed Nickel	28471821
Polished Nickel	28471831
Rubbed Bronze	28471921
Polished Brass	28471931



The measurements shown are for reference only.

Products and specifications shown are subject to change without notice.

Specification sheet revised 10/2010

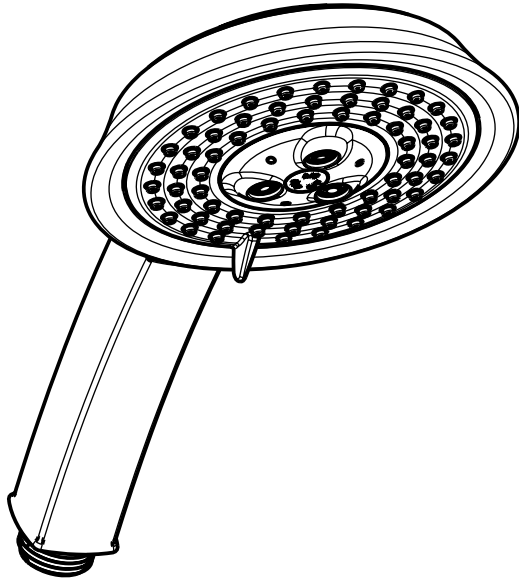
hansgrohe

Raindance C 100 AIR 3-Jet Handshower

28548xx1

AIR
POWER

QUICK
CLEAN



Product Features

- Oversized spray face
- AIR injection technology
- Three spray modes: Rain AIR, Balance AIR, Whirl AIR
- 65 no-clog spray channels
- 2.5 GPM

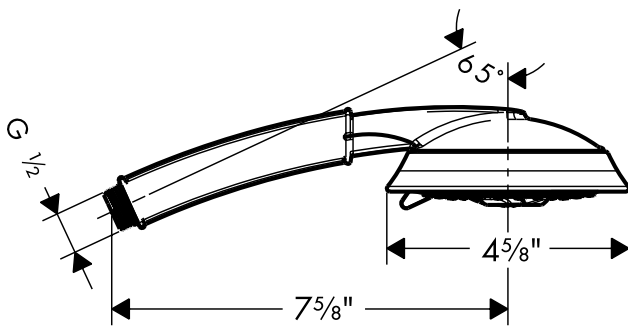
Code Compliance

This unit meets or exceeds the following:

- ASME A112.18.1 / CSA B125.1
- Listed by IAPMO

Available Finishes

Chrome	28548001
Oil Rub Bronze	28548621
Brushed Nickel	28548821
Polished Nickel	28548831
Rubbed Bronze	28548921
Polished Brass	28548931

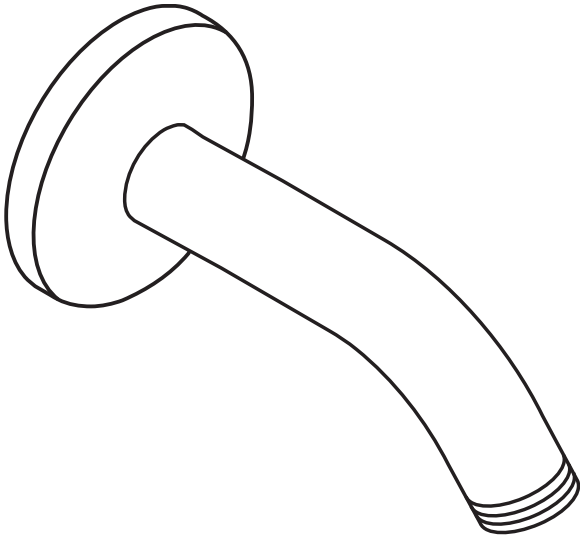


The measurements shown are for reference only.

Products and specifications shown are subject to change without notice.

Specification sheet revised 10/2010

hansgrohe

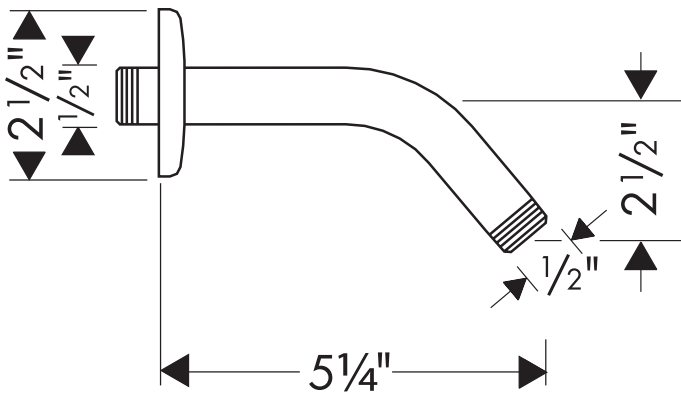


Product Features

- 1/2" male inlet
- Includes escutcheon
- Not for use with oversized or square showerheads

Available Finishes

Chrome	27411003
Oil Rubbed Bronze	27411623
Brushed Nickel	27411823
Polished Nickel	27411833
Rubbed Bronze	27411923
Polished Brass	27411933



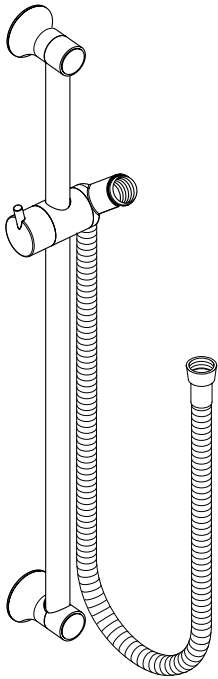
Optional Accessories

C Escutcheon for standard showerarm	04068XX0
-------------------------------------	----------

The measurements shown are for reference only.

Products and specifications shown are subject to change without notice.

Specification sheet revised 1/2009

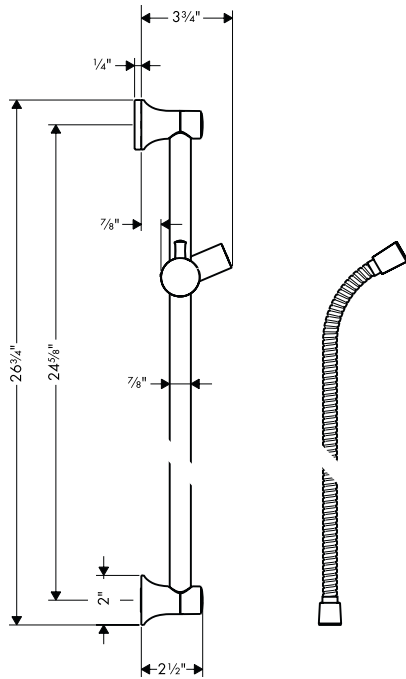


Product Features

- Holder is angle adjustable, moves up and down, pivots left and right
- Knob with finger grip for easy slide adjustment
- Includes 63" Sensoflex hose

Available Finishes

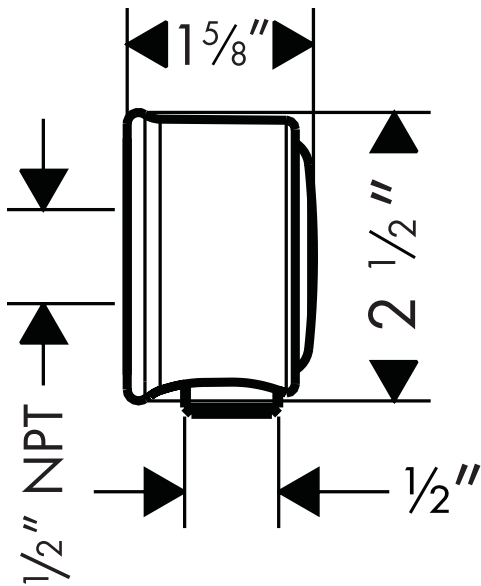
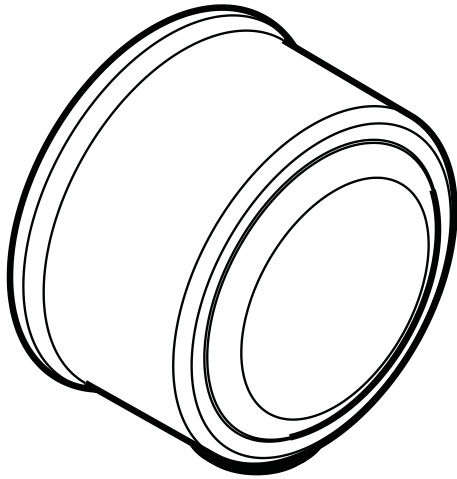
Chrome	27617000
Oil Rub Bronze	27617620
Brushed Nickel	27617820
Polished Nickel	27617830
Rubbed Bronze	27617920
Polished Brass	27617930



The measurements shown are for reference only.

Products and specifications shown are subject to change without notice.

Specification sheet revised 6/2009



Product Features

- 1/2" NPT female inlet
- Fits all 1/2" handshower hoses

Code Compliance

This unit meets or exceeds the following:

- ASME A112.18.1
- CSA B125.1
- Listed by IAPMO
- Approved for use in Massachusetts

Available Finishes

Chrome	16884001
Oil Rubbed Bronze	16884621
Brushed Nickel	16884821
Polished Nickel	16884831
Rubbed Bronze	16884921
Polished Brass	16884931

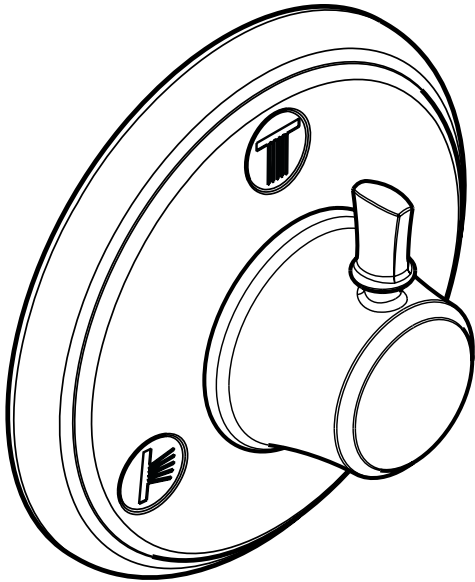
Optional Accessories

External vacuum breaker	06510XX1
-------------------------	----------

The measurements shown are for reference only.

Products and specifications shown are subject to change without notice.

Specification sheet revised 5/2009



Product Features

- Lever handle
- Coordinates with Talis C, Metris C, Swing C, Tango C, Limbo C

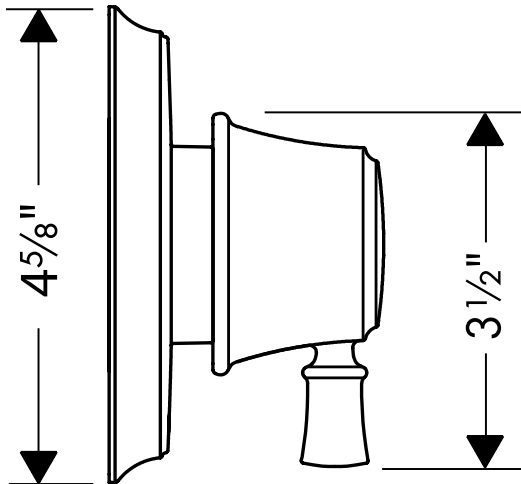
Code Compliance

This unit meets or exceeds the following:

- ASME A112.18.1 / CSA B125.1
- Listed by IAPMO
- Approved for use in Massachusetts

Available Finishes

Chrome	04222000
Oil Rub Bronze	04222620
Brushed Nickel	04222820
Polished Nickel	04222830
Rubbed Bronze	04222920



Required Accessories

Quattro rough	15930181
Trio rough	15984181

Optional Accessories

1" Extension set	96370000
------------------	----------

The measurements shown are for reference only.

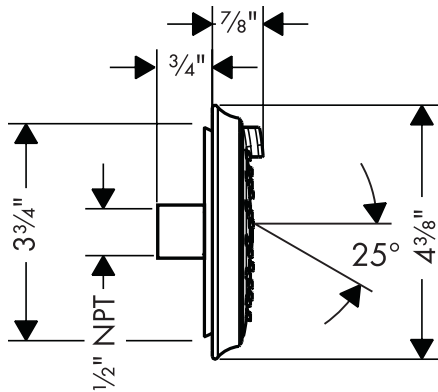
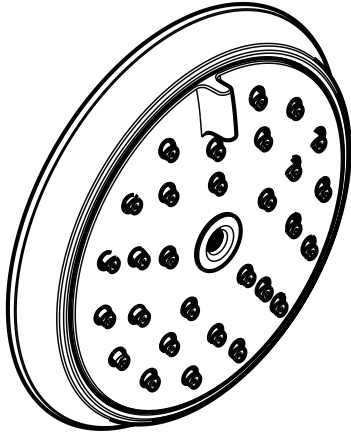
Products and specifications shown are subject to change without notice.

Specification sheet revised 8/2010

**ECO
RIGHT**

**AIR
POWER**

**QUICK
CLEAN**



Product Features

- 4" Spray face
- EcoAIR technology
- 360° adjustable spray
- 1/2" NPT female inlet
- Flow rate 0.9 GPM

Code Compliance

This unit meets or exceeds the following:

- ASME A112.18.1 / CSA B125.1
- Listed by IAPMO

Available Finishes

Chrome	28445000
Oil Rubbed Bronze	28445620
Brushed Nickel	28445820
Polished Nickel	28445830
Rubbed Bronze	28445920
Polished Brass	28445930

The measurements shown are for reference only.

Products and specifications shown are subject to change without notice.

Specification sheet revised 10/2010