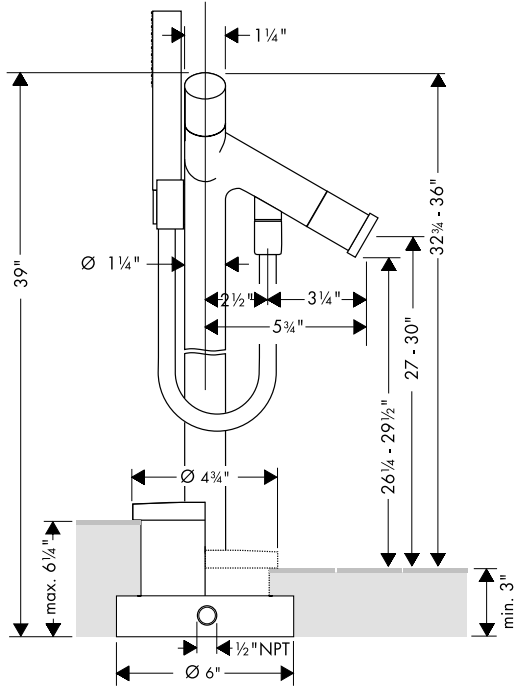


**Starck**  
10458XX1

**AXOR**<sup>®</sup>

**hansgrohe**

# Axor Starck Free-Standing Tub Filler 10458XX1



## Technical Specification

Maximum water pressure	145 psi
Recommended water pressure	14.5 - 72 psi
Maximum hot water temp.	176°*
Recommended hot water temp	120° - 140°*
Max. flow rate @ 45 psi	5.8 gpm

Rough-in 10452181 must be installed and the floor finished and made watertight before the tub filler can be installed.

This tub filler is not anti-scald. If anti-scald capability is desired, or is required by local plumbing codes, install remote pressure balancing valve 13418181 to the hot and cold supplies before they go into the 10452181 rough-in.

The handshower is protected against back siphonage with a check valve, located in the handshower outlet on the tub filler. The check valve should be inspected and cleaned yearly.

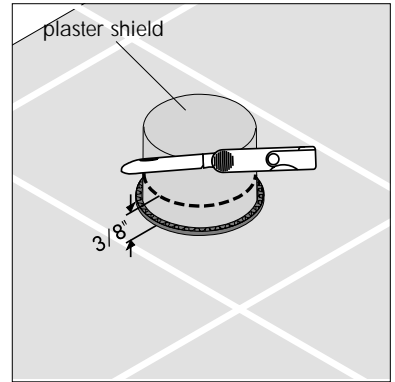
Tub filler 10458XX1 is listed by Underwriters Laboratories.

\*Please know and follow all applicable local plumbing codes when setting the temperature on the water heater

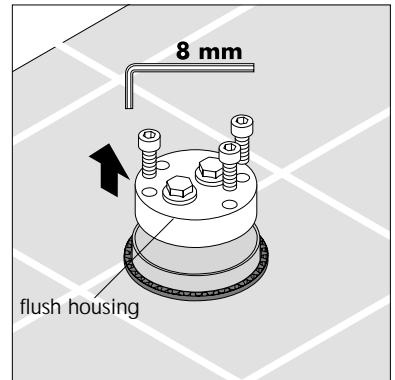
## Installation

Turn off the water at the main.

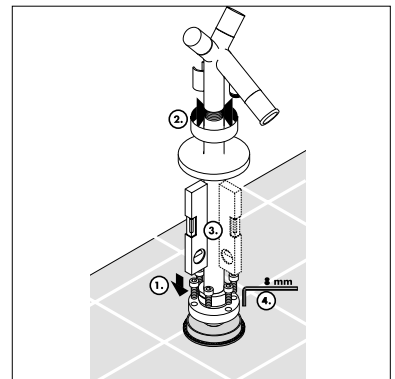
Cut the plaster shield so that it extends  $\frac{3}{8}$ " above the surface of the finished floor.



Use an 8 mm Allen wrench (not included) to remove the three screws from the flush housing. Remove the flush housing. **Do not discard the screws.**

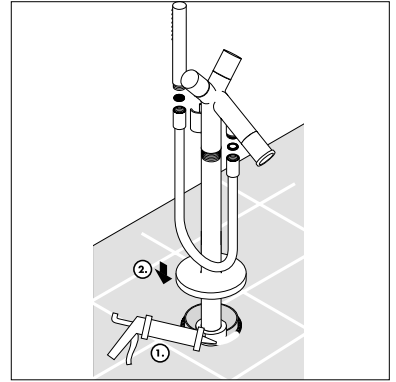


Place the tub filler on the rough-in (1). Pivot the tub filler so that the spout faces the correct direction (2). Use a level to make sure that the unit is straight (3). Install the tub filler using the three reserved screws from the flush housing as well as the three screws included with the tub filler -- six screws total. Tighten them with the 8 mm Allen wrench (4).



Seal the floor around the plaster shield with waterproof sealant (1). Gently guide the escutcheon to the floor (2).

Insert the black rubber washer in one end of the hose, and screw it to the hose outlet on the tub filler. Insert the screen washer in the other end of the hose and screw it to the handshower. Place the handshower in the handshower holder.

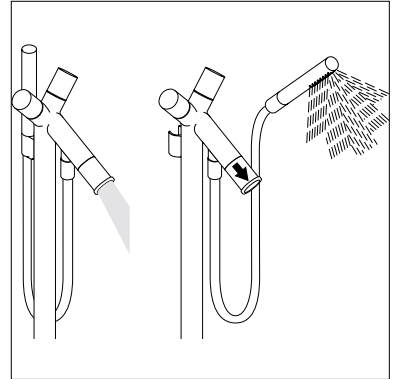


## User Instructions

Turn the left handle to obtain hot water, the right handle to obtain cold water.

Pull the diverter to divert the water to the handshower.

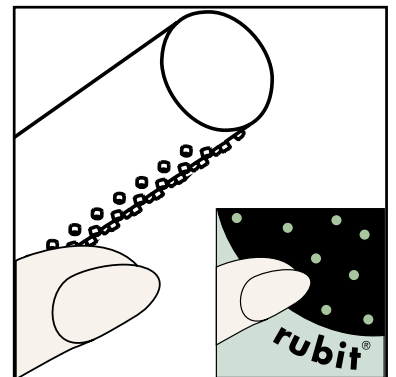
When the water is turned off, the diverter will reset to the tub filler position.



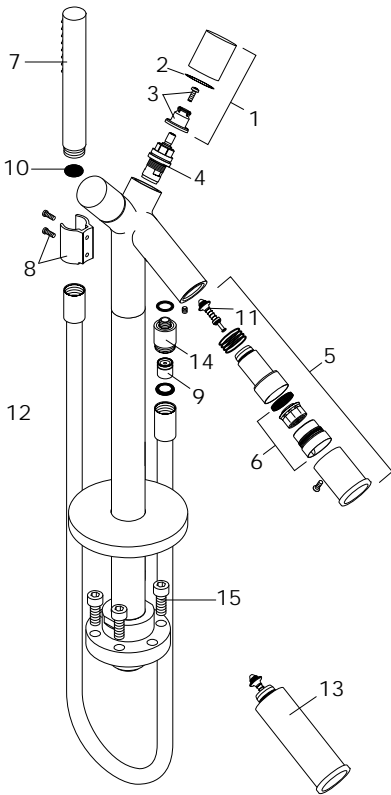
The Starck handshower uses the Rubit™ self-cleaning system. If limescale deposits are noticed in the spray channels, they can be easily dislodged. Turn the water on lightly, and rub across the spray channels with a finger or a sponge.

If the flow of water from the handshower decreases over time, remove and clean the screen washer.

A check valve is located in the handshower outlet on the tub filler to protect against back siphonage. It should be removed and cleaned yearly.



# Replacement Parts



1	handle	96928XXX
2	color ring	96299000
3	handle fixing set	94184000
4	cartridge	94149000
5	diverter assembly	96294XXX
6	aerator	96296XXX
7	handshower	28531XXX
8	handshower holder	96295000
9	check valve	94074000
10	screen washer	94246000
11	diverter	96297000
12	handshower hose	28282XXX
13	diverter extension, 2 3/8"	10981XXX
14	handshower outlet	97527XXX
15	hex socket screw (set)	97670000

XXX = color

001 = chrome

811 = Satinox

821 = brushed nickel

# Cleaning Recommendation for Hansgrohe Products

Modern faucetry and shower products utilize a combination of materials to comply with the needs of the market with regard to design and functionality.

To avoid damage, it is necessary to use some caution when cleaning. Damage caused by improper treatment is not covered under the Hansgrohe warranty.

## Cleaning Materials for Faucets and Showers

- To remove lime scale, use only products made specifically for that purpose. Always follow the manufacturer's instructions when using.
- Do not use cleaners that contain hydrochloric, formic, acetic, or phosphoric acids, as these will cause considerable damage to finishes and to plastic components.
- Never mix cleaning materials.
- Never use cleaners containing abrasives. Do not use abrasive cleaning cloths, pads, or sponges.

## Cleaning Procedures

- Clean your faucets and shower products as and when required. Regular cleaning will prevent scale buildup and water spotting.
- Follow the label instructions. Do not allow any cleaner to remain on the product for longer than necessary.
- When using spray cleaners, spray first onto a sponge or cloth – do not spray directly onto the product.
- After cleaning, rinse thoroughly with clear water to remove any cleaner residue.

## Important

- Soap and shampoo residue can also cause damage to the product. Rinse well with clean water after use.
- If the surface is already damaged, harsh cleaning materials will cause further damage.

# Limited Lifetime Consumer Warranty

This product has been manufactured and tested to the highest quality standards by Hansgrohe, Inc. ("Hansgrohe"). This warranty is limited to Hansgrohe products which are purchased by a consumer in the United States after March 1, 1996, and installed in either the United States or Canada.

## WHO IS COVERED BY THE WARRANTY

This warranty extends to the original consumer purchaser only.

## WHAT IS COVERED BY THE WARRANTY

This warranty covers only your Hansgrohe manufactured product. Hansgrohe warrants this product against defects in material or workmanship as follows: Hansgrohe will repair at no charge for parts only or, at its option, replace any product or part of the product which proves defective because of improper workmanship and/or material, under normal installation, use, service and maintenance. If Hansgrohe is unable to provide a replacement and repair is not practical or cannot be timely made, Hansgrohe may elect to refund the purchase price in exchange for the return of the product.

## LENGTH OF WARRANTY

Replacement or repaired parts of products will be covered for the term of this warranty as stated in the following two sentences. If you are a consumer who purchased the product for use primarily for personal, family, or household purposes, this warranty extends for as long as you own the product and the home in which the product is installed. If you purchased the product for use primarily for any other purpose, including, without limitation, a commercial purpose, this warranty extends only (i) for 1 year, with respect to Interaktiv and Retroaktiv products, and (ii) for 5 years, with respect to AXOR, ShowerPower and Pharo products.

THIS WARRANTY DOES NOT COVER, AND HANSGROHE WILL NOT PAY FOR:

- A. Conditions, malfunctions or damage not resulting from defects in material or workmanship.
- B. Conditions, malfunctions or damage resulting from (1) improper installation, improper maintenance, misuse, abuse, negligence, accident or alteration, or (2) the use of abrasive or caustic cleaning agents or "no rinse" cleaning products, or the use of the product in any manner contrary to the product instructions.
- C. Labor or other expenses for the disconnection or return of the product for warranty service, or for installation or reinstallation of the product.
- D. Accessories or related products not manufactured by Hansgrohe.

TO OBTAIN WARRANTY SERVICE

Contact your Hansgrohe retailer, or write to Technical Service at:

Hansgrohe Inc.  
1492 Bluegrass Lakes Parkway  
Alpharetta GA 30004

Or, call Hansgrohe toll-free at (800) 334-0455.

In requesting warranty service, you will need to provide

- 1. The sales receipt or other evidence of the date and place of purchase.
- 2. A description of the problem.
- 3. Delivery of the product or the defective part, postage prepaid and carefully packed and insured, to Hansgrohe Inc. 1492 Bluegrass Lakes Parkway, Alpharetta, Georgia 30004, Attention: Technical Service, if required by Hansgrohe.

When warranty service is completed, any repaired or replacement product or part will be returned to you postage prepaid.

EXCLUSIONS AND LIMITATIONS

REPAIR OR REPLACEMENT (OR, IN LIMITED CIRCUMSTANCES, REFUND OF THE PURCHASE PRICE) AS PROVIDED UNDER THIS WARRANTY IS THE EXCLUSIVE REMEDY OF THE PURCHASER. HANSGROHE NEITHER ASSUMES NOR AUTHORIZES ANY PERSON TO CREATE FOR IT ANY OBLIGATION OR LIABILITY IN CONNECTION WITH THIS PRODUCT.

HANSGROHE SHALL NOT BE LIABLE TO PURCHASER OR ANY PERSON FOR ANY INCIDENTAL, SPECIAL, OR CONSEQUENTIAL DAMAGES, ARISING OUT OF BREACH OF THIS WARRANTY OR ANY IMPLIED WARRANTY (INCLUDING MERCHANTABILITY).

Some States do not allow the exclusion or limitation of incidental or consequential damages, so the above limitation or exclusion may not apply to you.

This warranty gives you specific legal rights, and you may have other rights which vary from State to State.

You may be required by law to give us a reasonable opportunity to correct or cure any failure to comply before you can bring any action in court against us under the Magnuson-Moss Warranty Act.

PRODUCT INSTRUCTIONS AND QUESTIONS

Upon purchase or prior to installation, please carefully inspect your Hansgrohe product for any damage or visible defect. Prior to installing, always carefully study the enclosed instructions on the proper installation and the care and maintenance of the product. If you have questions at any time about the use, installation, or performance of your Hansgrohe product, or this warranty, please call or write to us at the toll-free number and address printed above.

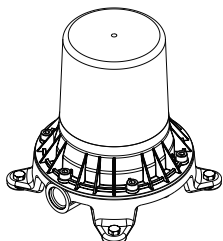
**hansgrohe**

Hansgrohe, Inc. • 1490 Bluegrass Lakes Parkway • Alpharetta, GA 30004  
Tel. 770 360-9880 • Fax 770 360 9887

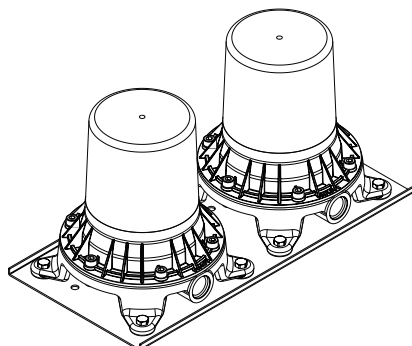
**[www.hansgrohe-USA.com](http://www.hansgrohe-USA.com)**



# Installation Instructions / Warranty



**Starck**  
10452181



**Montreux**  
16549181

# AXOR<sup>®</sup>

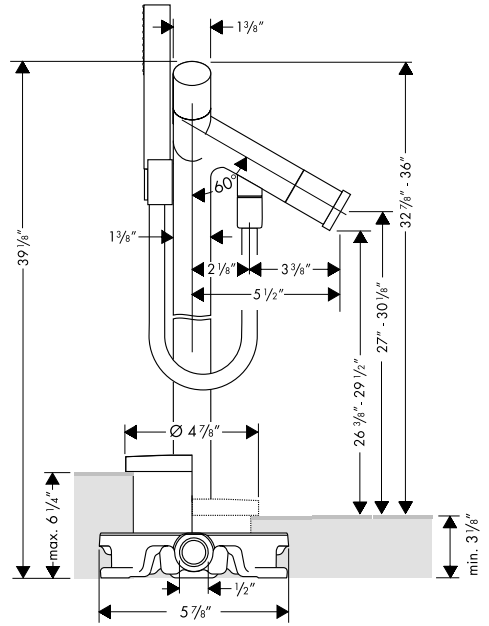
**hansgrohe**

# Axor Starck Free-standing Tub Filler Rough

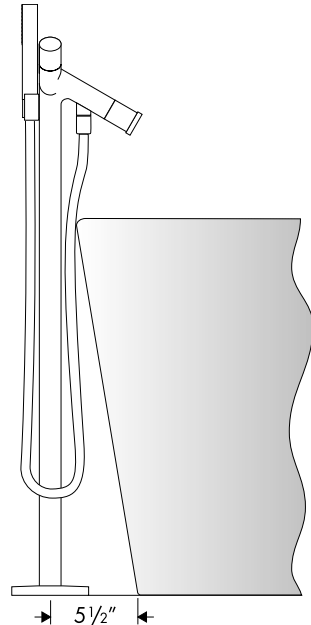
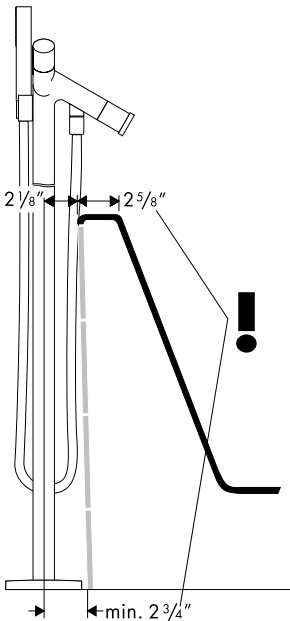
10452181

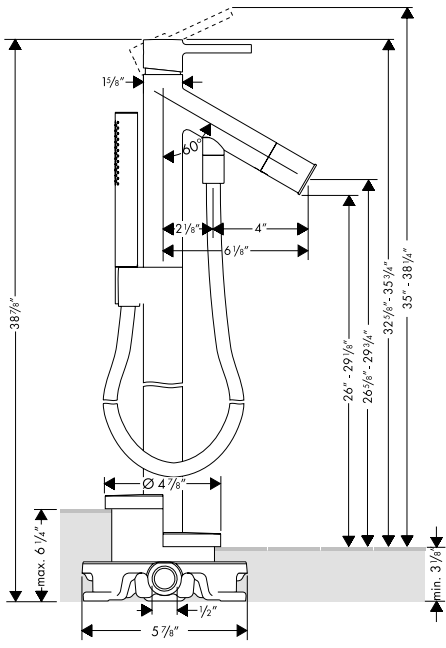
This rough is for use with Axor Starck free-standing tub fillers 10458XX1, 10456XX1 and 10406XX1.

If using Axor Montreux Rough 16549181, go to page 8.



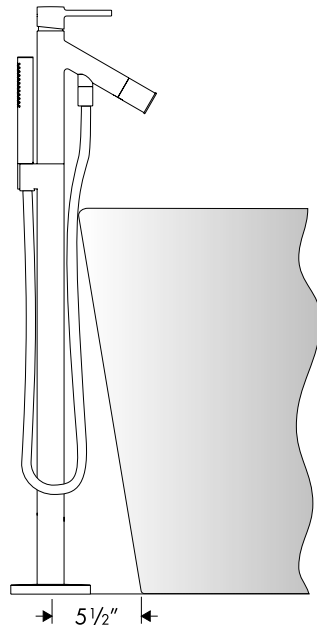
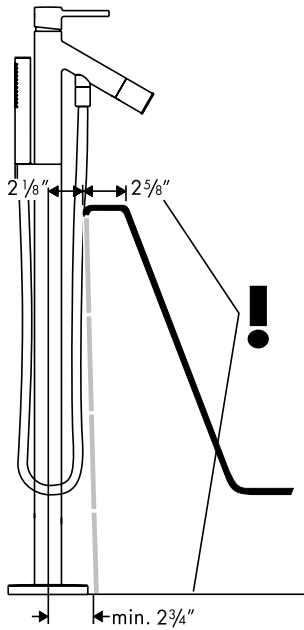
Starck 10458XX1

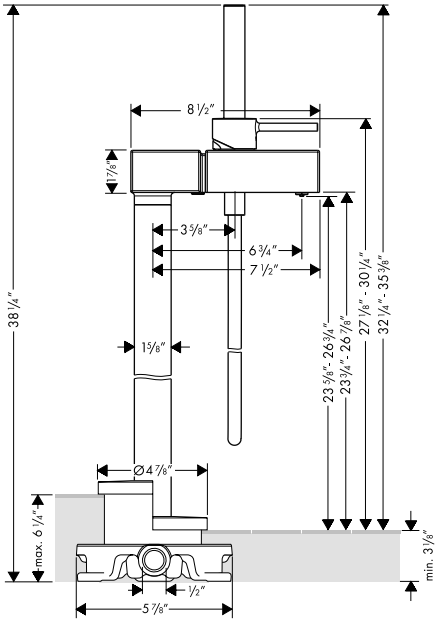




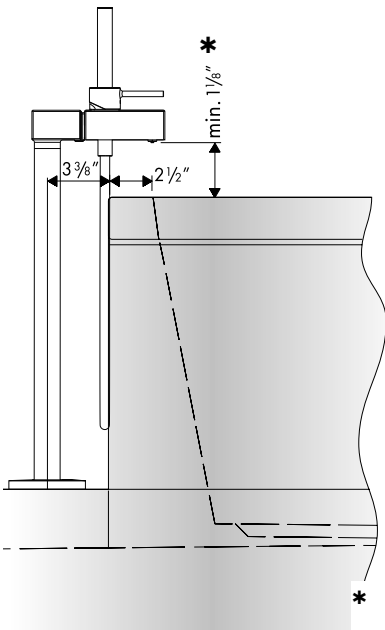
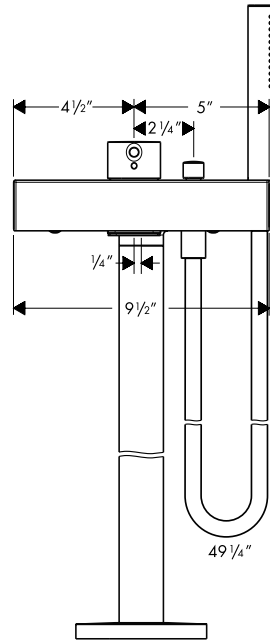
**Starck 10456XX1**

**Tube shown: HOESCH  
Philippe Starck Edition II**  
Freestanding tub with outside covering.





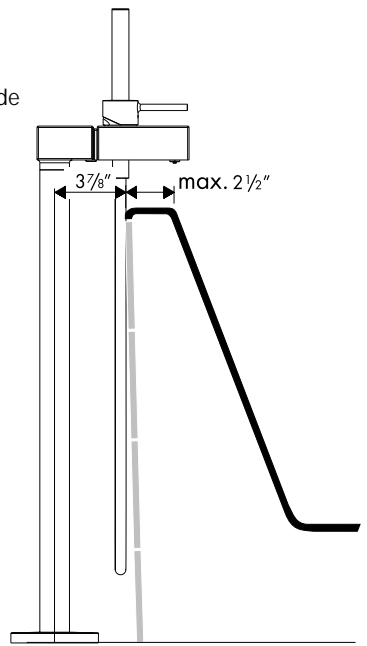
**Starck 10406001**



\* If clearance is less than 1 1/8",  
order extension 97686000.

**Tube shown: Duravit  
Philippe Starck  
Starck X**

Freestanding tub with outside  
covering.



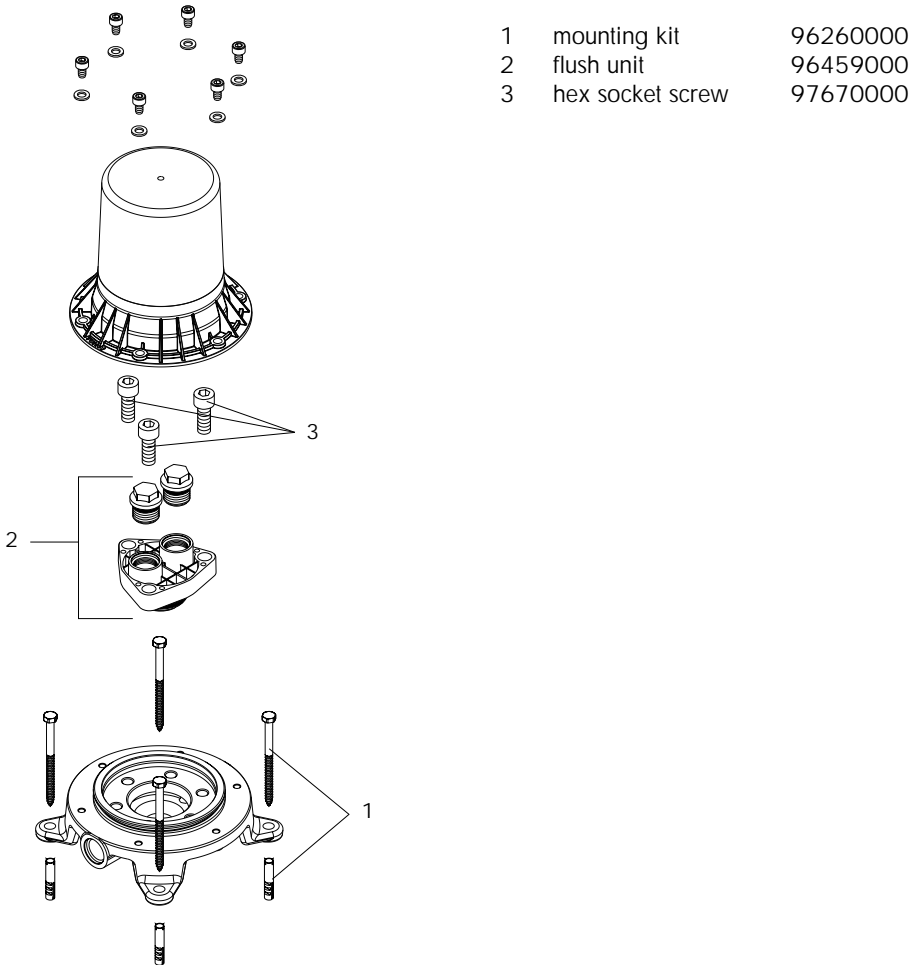
# Technical Data

Operating pressure: max. 145 psi  
Recommended operating pressure: 14.5 - 72 psi  
Test pressure: 232 psi  
Hot water temperature: max. 176° F\*  
Recommended hot water temperature: 120° F - 140° F\*  
1/2" NPT inlets

These tub fillers are not anti-scald. If required by local plumbing code, install remote pressure balance valve 13418181 to the hot and cold supplies within 6' of the rough.

\*Please know and follow all applicable local plumbing codes when setting the temperature on the water heater.

# Replacement Parts

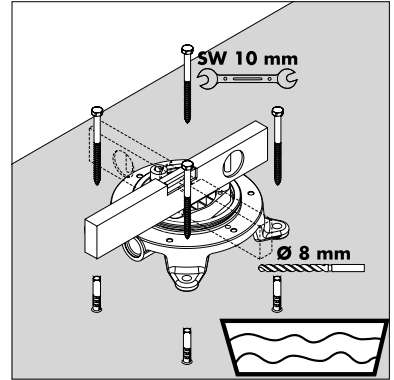


## Installation - 10452181

Use the rough as a template to mark the positions of the screw holes in the subfloor. Use an 8 mm bit to drill the holes.

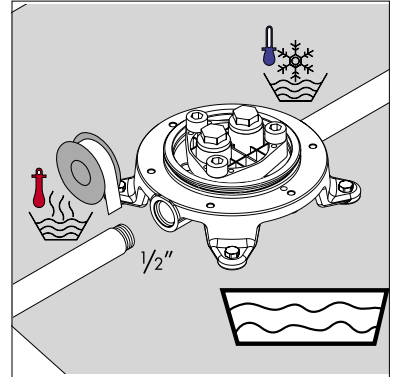
Install the anchors (included).

Fasten the rough to the subfloor with the screws provided. Make sure that the rough is level.



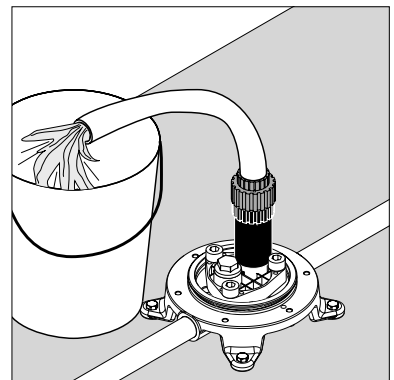
Wrap the threads on the supplies with Teflon thread tape.

Install the supplies in the rough. For proper operation of the tub filler, the hot supply should be installed on the left, the cold supply on the right.

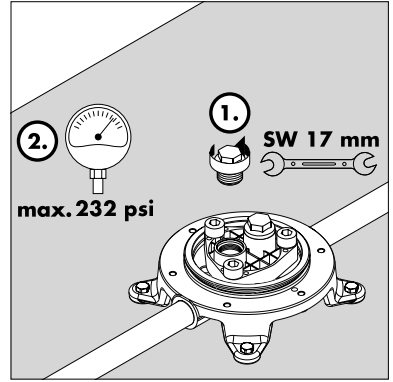


Remove the flush insert plug from the cold water side of the rough using a 17 mm wrench. Install a hose bibb and a hose. Turn on the water and allow the line to flush thoroughly.

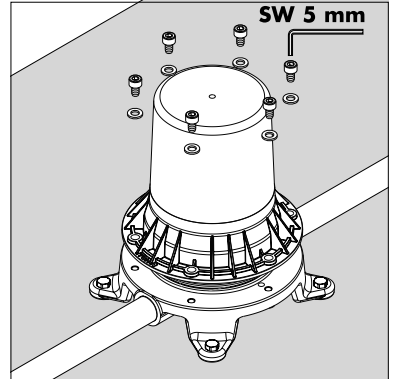
Repeat the flushing procedure on the hot water side.



Replace and tighten the plugs (1). Pressure test the unit (2).

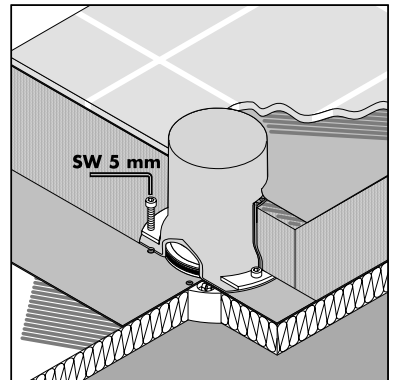


Install the plaster shield. Use a 5 mm Allen wrench to tighten the screws.



Install the flooring material. Please know and follow all applicable local codes regarding waterproofing.

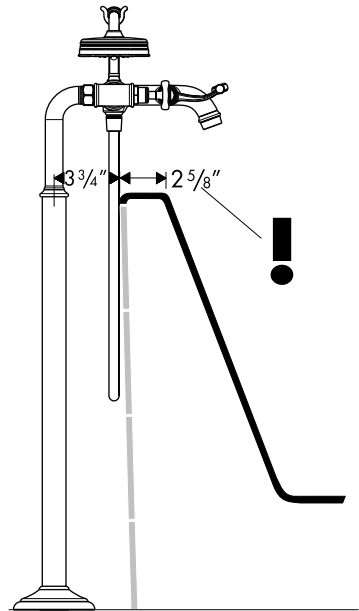
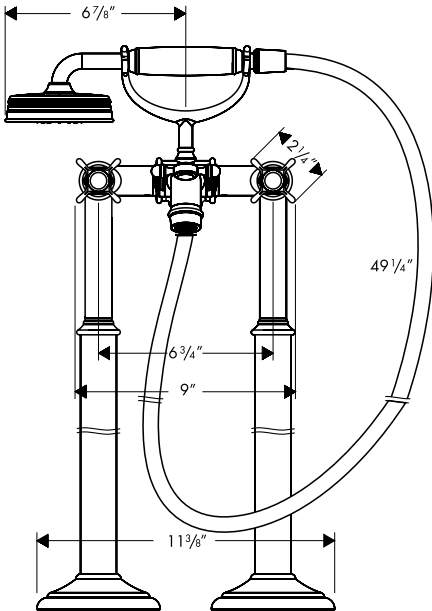
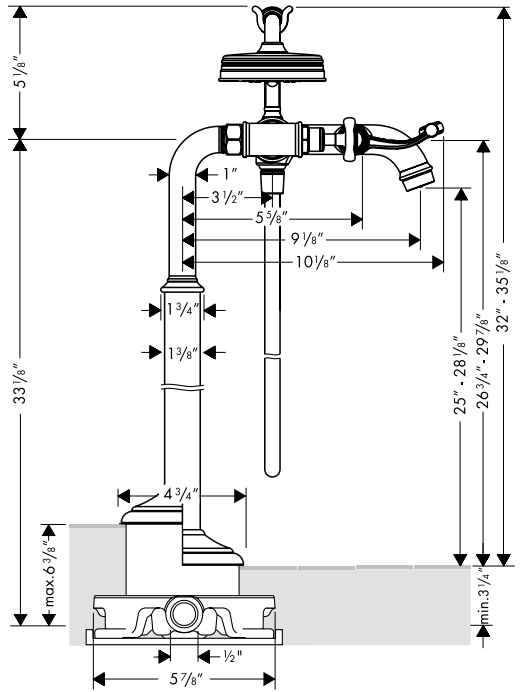
The surface of the finished floor must fall somewhere between the "minimum" and "maximum" markings on the plaster shield.



# Axor Montreux Free-standing Tub Filler Rough

16549181

This unit is for use with Axor Montreux free-standing tub filler 16547XX1.





# Technical Data

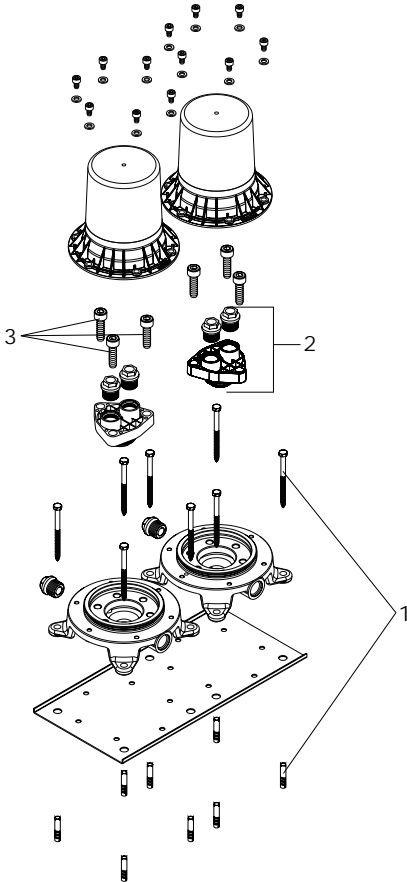
Operating pressure:	max. 145 psi
Recommended operating pressure:	14.5 - 72 psi
Test pressure:	232 psi
Hot water temperature:	max. 176° F*
Recommended hot water temperature:	120° F - 140° F*

This tub filler is not anti-scald. If required by local plumbing code, install remote pressure balance valve 13418181 to the hot and cold supplies within 6' of the rough.

\*Please know and follow all applicable local plumbing codes when setting the temperature on the water heater.

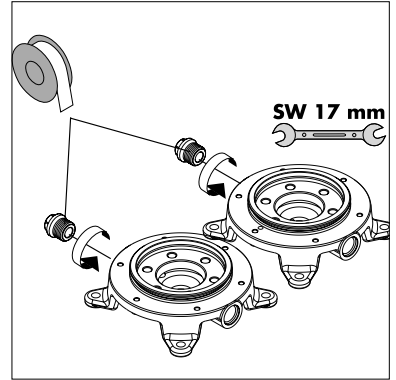
# Replacement Parts

1	mounting kit	96260000
2	flush insert	96459000
3	hex socket screw	97670000



## Installation - 16549181

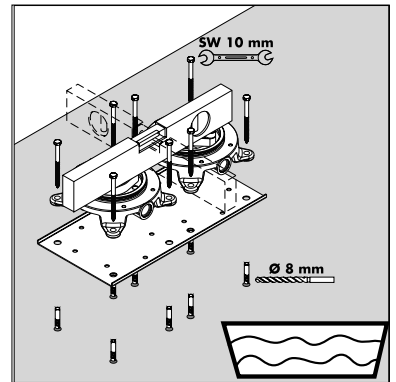
Wrap the threads on the two plugs with Teflon thread tape. Install one plug on each rough.



Use the mounting plate as a template to mark the positions of the screw holes in the subfloor. Use an 8 mm bit to drill the holes.

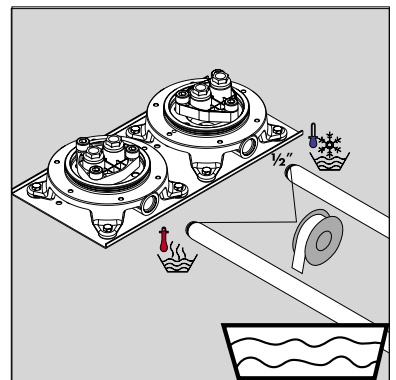
Install the anchors (included).

Fasten the roughs to the subfloor with the screws provided. **Make sure that the roughs are level.**



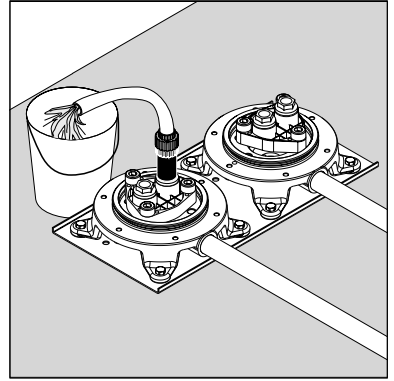
Wrap the threads on the supplies with Teflon thread tape.

Install the supplies in the roughs. For proper operation of the tub filler, the hot supply should be on the left, the cold supply on the right.

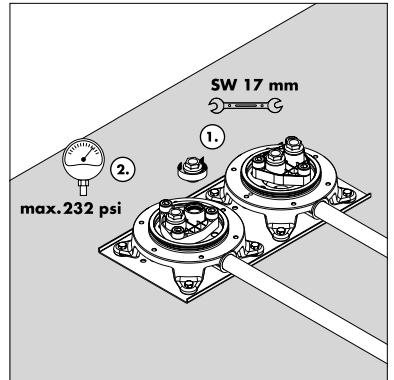


Remove the flush insert plug from the cold water side of the rough. Install a hose bibb and a hose. Turn on the water and allow the line to flush thoroughly.

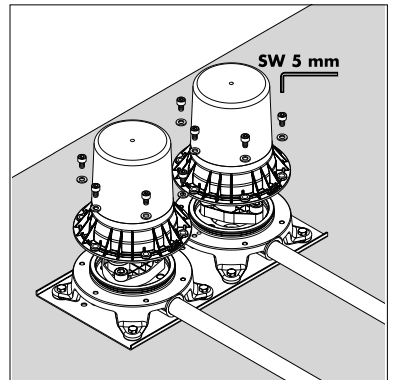
Repeat the flushing procedure on the hot water side.



Replace and tighten the plugs. Pressure test the unit.

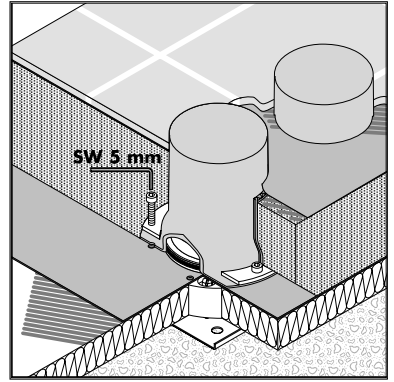


Install the plaster shields. Use a 5 mm Allen wrench to tighten the screws.



Install the flooring material. Please know and follow all applicable local codes regarding waterproofing.

The surface of the finished floor must fall somewhere between the "minimum" and "maximum" markings on the plaster shield.



## **Cleaning Recommendation for Hansgrohe Products**

Modern faucetry and shower products utilize a combination of materials to comply with the needs of the market with regard to design and functionality.

To avoid damage, it is necessary to use some caution when cleaning. Damage caused by improper treatment is not covered under the Hansgrohe warranty.

### **Cleaning Materials for Faucets and Showers**

- To remove lime scale, use only products made specifically for that purpose. Always follow the manufacturer's instructions when using.
- Do not use cleaners that contain hydrochloric, formic, acetic, or phosphoric acids, as these will cause considerable damage to finishes and to plastic components.
- Never mix cleaning materials.
- Never use cleaners containing abrasives. Do not use abrasive cleaning cloths, pads, or sponges.

### **Cleaning Procedures**

- Clean your faucets and shower products as and when required. Regular cleaning will prevent scale buildup and water spotting.
- Follow the label instructions. Do not allow any cleaner to remain on the product for longer than necessary.
- When using spray cleaners, spray first onto a sponge or cloth – do not spray directly onto the product.
- After cleaning, rinse thoroughly with clear water to remove any cleaner residue.

### **Important**

- Soap and shampoo residue can also cause damage to the product. Rinse well with clean water after use.
- If the surface is already damaged, harsh cleaning materials will cause further damage.

## Limited Lifetime Consumer Warranty

This product has been manufactured and tested to the highest quality standards by Hansgrohe, Inc. ("Hansgrohe"). This warranty is limited to Hansgrohe products which are purchased by a consumer in the United States after March 1, 1996, and installed in either the United States or Canada.

### WHO IS COVERED BY THE WARRANTY

This warranty extends to the original consumer purchaser only.

### WHAT IS COVERED BY THE WARRANTY

This warranty covers only your Hansgrohe manufactured product. Hansgrohe warrants this product against defects in material or workmanship as follows: Hansgrohe will repair at no charge for parts only or, at its option, replace any product or part of the product which proves defective because of improper workmanship and/or material, under normal installation, use, service and maintenance. If Hansgrohe is unable to provide a replacement and repair is not practical or cannot be timely made, Hansgrohe may elect to refund the purchase price in exchange for the return of the product.

### LENGTH OF WARRANTY

Replacement or repaired parts of products will be covered for the term of this warranty as stated in the following two sentences. If you are a consumer who purchased the product for use primarily for personal, family, or household purposes, this warranty extends for as long as you own the product and the home in which the product is installed. If you purchased the product for use primarily for any other purpose, including, without limitation, a commercial purpose, this warranty extends only (i) for 1 year, with respect to Interaktiv and Retroaktiv products, and (ii) for 5 years, with respect to AXOR, ShowerPower and Pharo products.

### THIS WARRANTY DOES NOT COVER, AND HANSGROHE WILL NOT PAY FOR:

- A. Conditions, malfunctions or damage not resulting from defects in material or workmanship.
- B. Conditions, malfunctions or damage resulting from (1) improper installation, improper maintenance, misuse, abuse, negligence, accident or alteration, or (2) the use of abrasive or caustic cleaning agents or "no rinse" cleaning products, or the use of the product in any manner contrary to the product instructions.
- C. Labor or other expenses for the disconnection or return of the product for warranty service, or for installation or reinstallation of the product.
- D. Accessories or related products not manufactured by Hansgrohe.

### TO OBTAIN WARRANTY SERVICE

Contact your Hansgrohe retailer, or write to Technical Service at:

Hansgrohe Inc.  
1492 Bluegrass Lakes Parkway  
Alpharetta GA 30004

Or, call Hansgrohe toll-free at (800) 334-0455.

In requesting warranty service, you will need to provide

- 1. The sales receipt or other evidence of the date and place of purchase.
- 2. A description of the problem.
- 3. Delivery of the product or the defective part, postage prepaid and carefully packed and insured, to Hansgrohe Inc. 1492 Bluegrass Lakes Parkway, Alpharetta, Georgia 30004, Attention: Technical Service, if required by Hansgrohe.

When warranty service is completed, any repaired or replacement product or part will be returned to you postage prepaid.

### EXCLUSIONS AND LIMITATIONS

REPAIR OR REPLACEMENT (OR, IN LIMITED CIRCUMSTANCES, REFUND OF THE PURCHASE PRICE) AS PROVIDED UNDER THIS WARRANTY IS THE EXCLUSIVE REMEDY OF THE PURCHASER. HANSGROHE NEITHER ASSUMES NOR AUTHORIZES ANY PERSON TO CREATE FOR IT ANY OBLIGATION OR LIABILITY IN CONNECTION WITH THIS PRODUCT.

HANSGROHE SHALL NOT BE LIABLE TO PURCHASER OR ANY PERSON FOR ANY INCIDENTAL, SPECIAL, OR CONSEQUENTIAL DAMAGES, ARISING OUT OF BREACH OF THIS WARRANTY OR ANY IMPLIED WARRANTY (INCLUDING MERCHANTABILITY).

Some States do not allow the exclusion or limitation of incidental or consequential damages, so the above limitation or exclusion may not apply to you.

This warranty gives you specific legal rights, and you may have other rights which vary from State to State.

You may be required by law to give us a reasonable opportunity to correct or cure any failure to comply before you can bring any action in court against us under the Magnuson-Moss Warranty Act.

#### PRODUCT INSTRUCTIONS AND QUESTIONS

Upon purchase or prior to installation, please carefully inspect your Hansgrohe product for any damage or visible defect. Prior to installing, always carefully study the enclosed instructions on the proper installation and the care and maintenance of the product. If you have questions at any time about the use, installation, or performance of your Hansgrohe product, or this warranty, please call or write to us at the toll-free number and address printed above.

**hansgrohe**

Hansgrohe, Inc. • 1490 Bluegrass Lakes Parkway • Alpharetta, GA 30004  
Tel. 770 360-9880 • Fax 770 360 9887

**[www.hansgrohe-USA.com](http://www.hansgrohe-USA.com)**