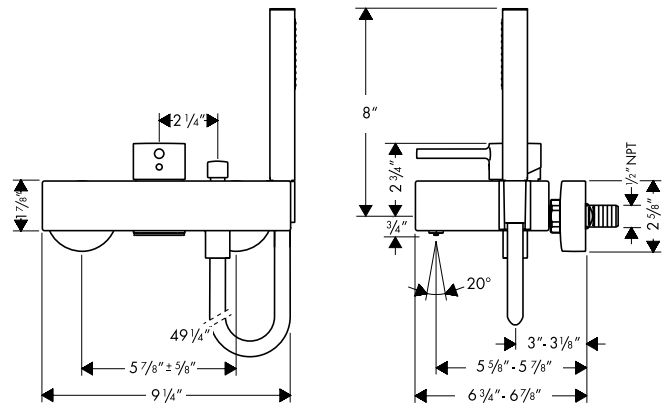
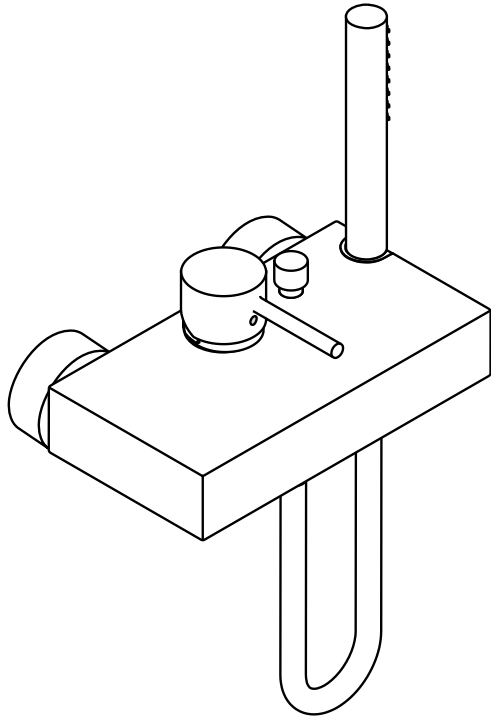


# Starck Tub Filler

10402001

Available in Chrome



## Product Specification

Wall mounted

M2 ceramic cartridge

1/2" male inlets: Requires 2 1/2" female fittings, recessed 3/8" behind the surface of the finished wall.

1/2" outlet for handshower

Diverter for handshower

Tub spout

Not anti scald - install with remote pressure balance valve 13418181 if required

Backflow prevention furnished by check valve in the handspray outlet and automatically closing diverter

Maximum incoming water pressure	145 psi
Recommended water pressure	14.5 - 72 psi
Recommended max. incoming hot water temp.	120°F - 140°F*
Flow rate of tub filler @ 45 psi	5.75 gpm
Flow rate of handshower	2.5 gpm

\*know and follow all applicable local codes when setting the temperature on the water heater