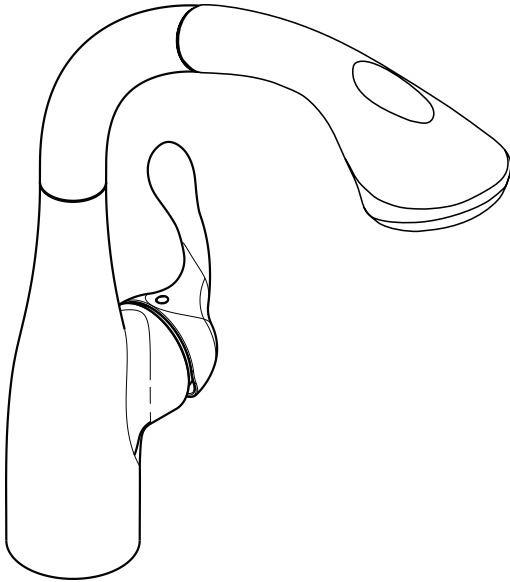


QUICLEAN



Product Features

- Single control operation
- Ceramic cartridge
- Ergonomic pull-out spray with full and needle spray modes
- Toggle diverter
- Nylon hose for quiet, long-lasting service
- Spout swivels 150°
- Protection against backflow provided by double check valve
- 2.2 gpm

Code Compliance

This unit meets or exceeds the following:

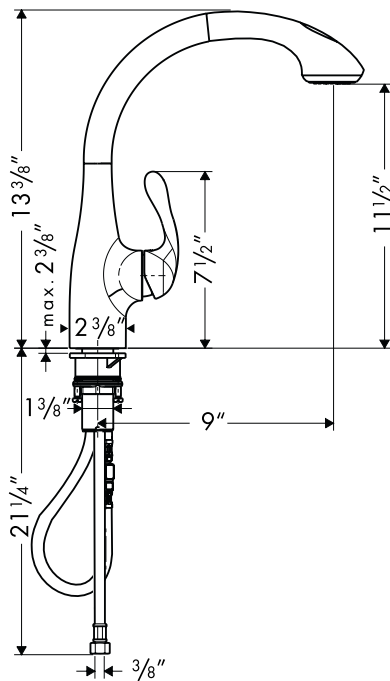
- ASME A112.18.1
- CSA B125.1
- Listed by IAPMO

Available Finishes

Chrome	06461000
Steel Optik with black handspray	06461040
Steel Optik	06461860

Optional Accessories

10" baseplate	14019XX1
---------------	----------



The measurements shown are for reference only.

Products and specifications shown are subject to change without notice.

Specification sheet revised 11/2009